

4

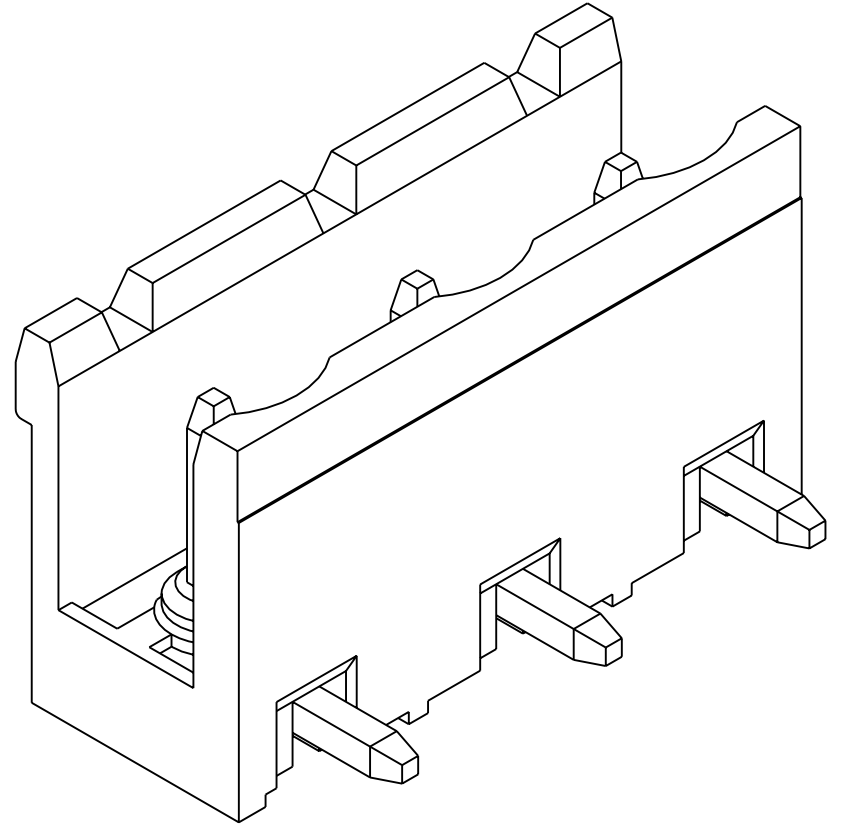
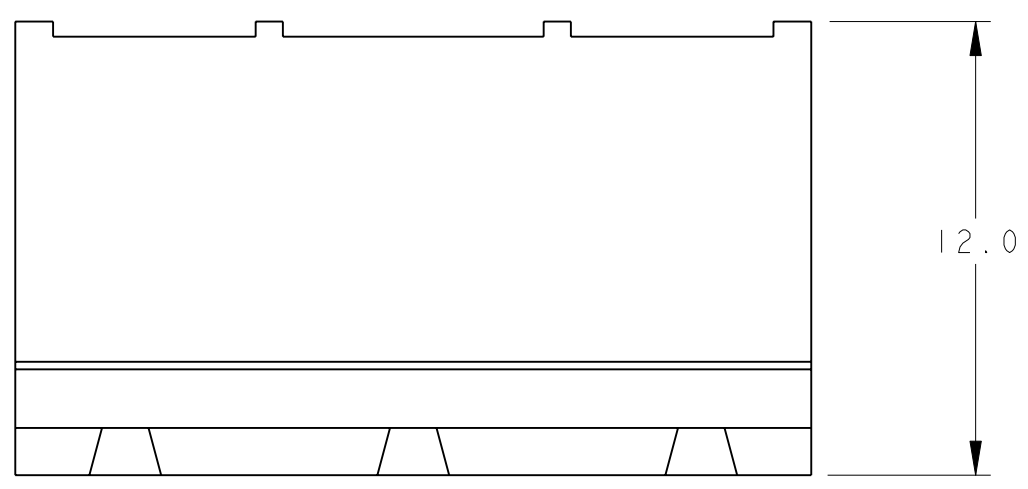
3

2

1

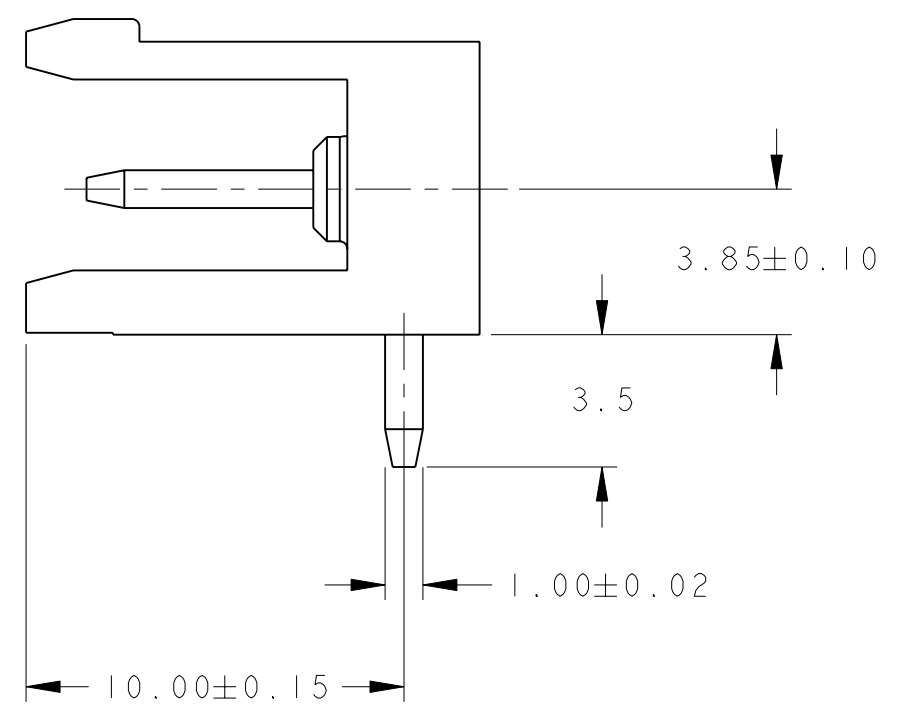
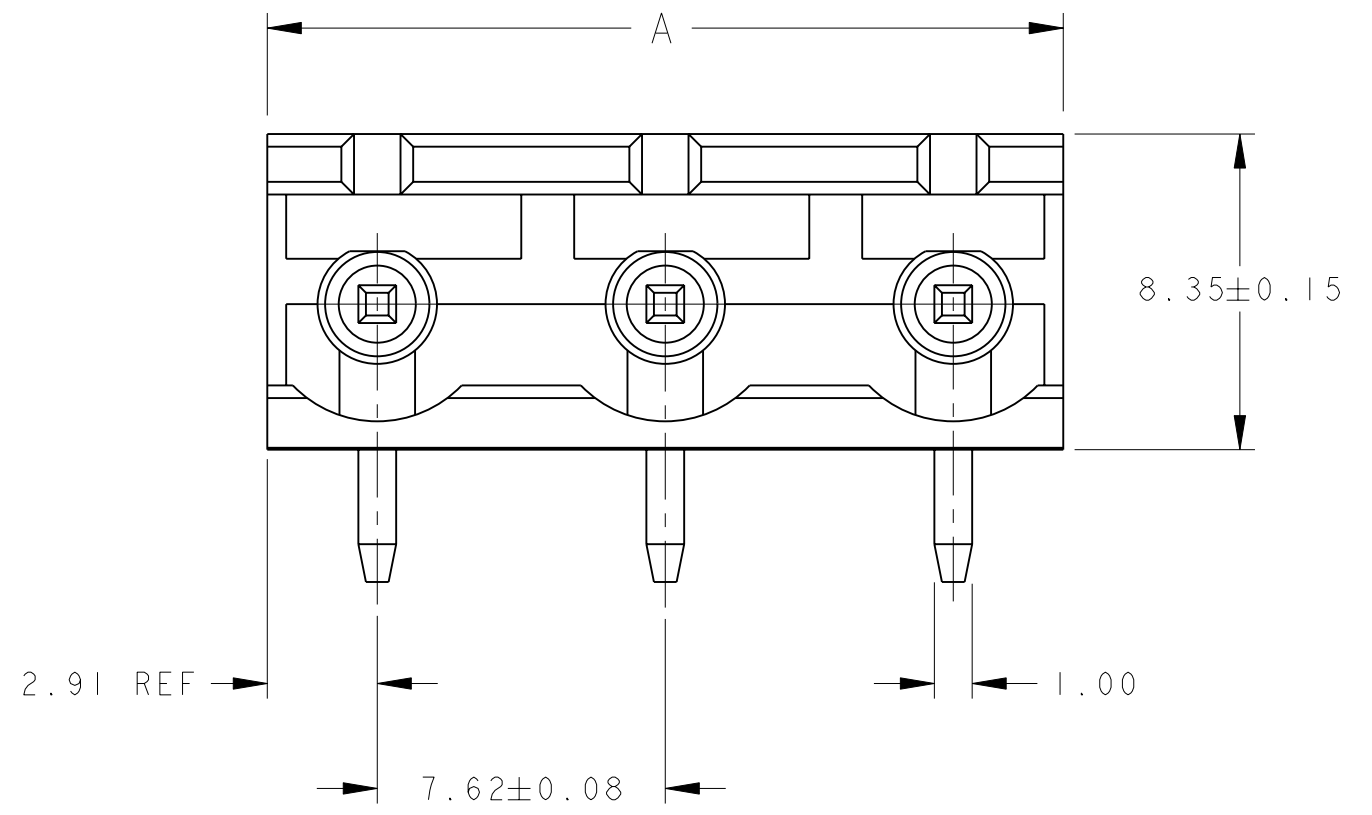
THIS DRAWING IS UNPUBLISHED. RELEASED FOR PUBLICATION 20
 © COPYRIGHT 20 BY TYCO ELECTRONICS CORPORATION. ALL RIGHTS RESERVED.

LOC	DIST	REVISIONS					
FT	0	P	LTR	DESCRIPTION	DATE	DWN	APVD
		0		RELEASED EC 0G3B-0612-04	26JUL2005	SW	CR

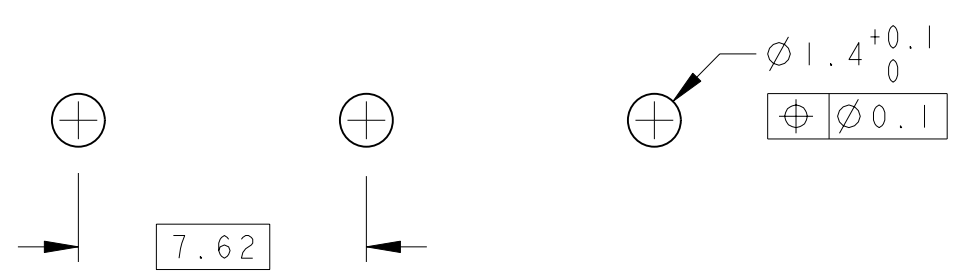


- △ MATERIALS AND FINISH
 HOUSING: HIGH TEMPERATURE POLYAMIDE, UL 94V-0 RATED,
 COLOR: BLACK.
 TERMINAL: PHOSPHOR BRONZE, TIN PLATED.
- SUITABLE FOR 1,6-2,4mm PC BOARD THICKNESS.
 - RECOGNIZED UNDER THE COMPONENT PROGRAM OF UNDERWRITERS LABORATORIES INC., FILE N° E60677.
 - IMQ CERTIFICATE WITH SURVEILLANCE IN CONFORMITY WITH IEC 998-1/998-2-1.

1776152-3 AS SHOWN



21.06	3	1776152-3
13.44	2	1776152-2
A	NO OF POSN	PART NUMBER



RECOMMENDED PC BOARD LAYOUT

<small>THIS DRAWING IS A CONTROLLED DOCUMENT FOR TYCO ELECTRONICS CORPORATION. IT IS SUBJECT TO CHANGE AND THE CONTROLLING ENGINEERING ORGANIZATION SHOULD BE CONTACTED FOR THE LATEST REVISION.</small>		DWN S. WELDON 26JUL2005 CHK C. RICHARD 26JUL2005 APVD C. RICHARD 26JUL2005	BUCHANAN Tyco Electronics Harrisburg, PA 17105-3608
DIMENSIONS: mm 	TOLERANCES UNLESS OTHERWISE SPECIFIED: 0 PLC ±.3 1 PLC ±.3 2 PLC ±.25 3 PLC ±. 4 PLC ±. ANGLES ±2	PRODUCT SPEC 108-20166 APPLICATION SPEC 114-20079 WEIGHT -	NAME TERMINAL BLOCK HEADER ASSEMBLY, 90 DEGREE, OPEN ENDS, 7.62mm PITCH SIZE A2 CAGE CODE 00779 DRAWING NO C=1776152 RESTRICTED TO - SCALE 5:1 SHEET 1 OF 1 REV 0
MATERIAL △ - FINISH △ -		CUSTOMER DRAWING	