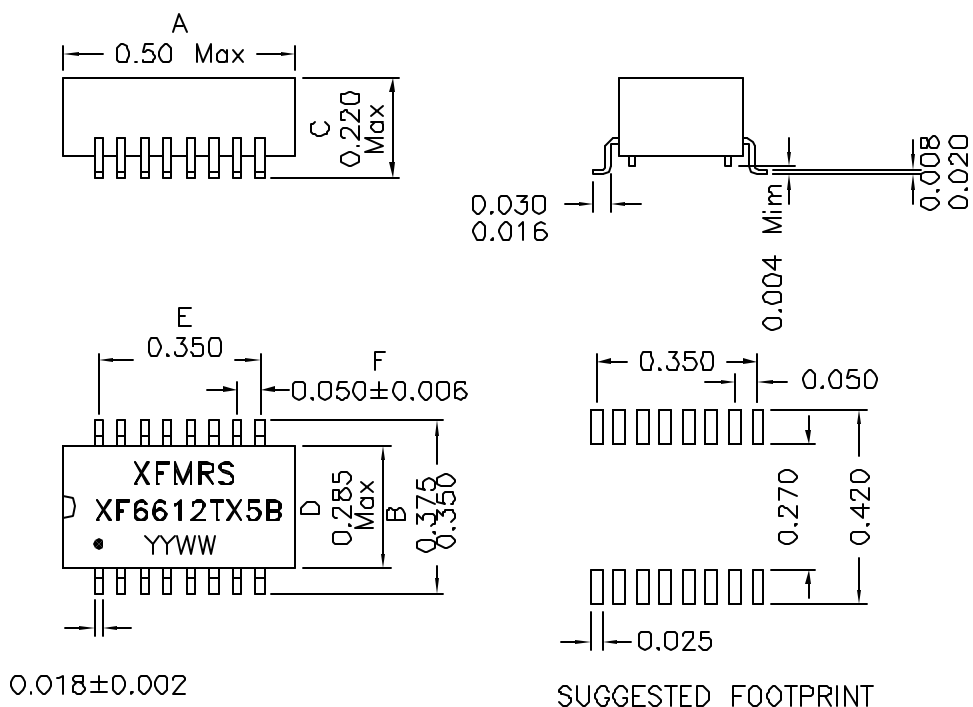


## 1. Mechanical Dimensions:

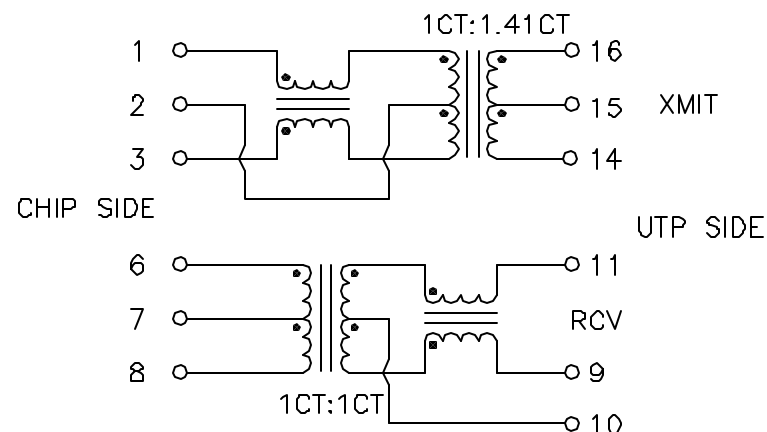


### Notes:

1. Solderability: Leads shall meet MIL-STD-202G, Method 208H for solderability.
2. Flammability: UL94V-0
3. ASTM oxygen index: > 28%
4. Insulation System: Class F 155°C, UL file E151556
5. Operating Temperature Range: All listed parameters are to be within tolerance from -40°C to +85°C
6. Storage Temperature Range: -55°C to +125°C
7. Aqueous wash compatible
8. SMD Lead Coplanarity: ±0.004\*(0.102mm)
9. Electrical and mechanical specifications 100% tested
10. RoHS Compliant Component

DOC. REV: A/2

## 2. Schematic:



## 3. Electrical Specifications: @25°C

UTP Impedance: 100 OHMS

Turns Ratio: TX=1CT:1.41CT±2% RX=1CT:1CT±2%

Isolation Voltage: 1500Vac, Input to Output

UTP Side OCL: 350uH Min @100KHz 0.1V, 8mAdc

Rise Time (10-90%): 2.5ns Typical

Insertion Loss (1-100MHz): -1.0dB Maximum

Return Loss: 30MHz 60MHz 80MHz  
-20dB -14dB -11.5dB Typ

CMRR: 30MHz 50MHz 100MHz  
-42dB -37dB -33dB Typ

Crosstalk: 30MHz 60MHz 100MHz  
-45dB -40dB -35dB Typ

**PROPRIETARY** Document is the property of XFMR5 Group & is not allowed to be duplicated without authorization.

<b>XFMR5 INC</b> www.XFMR5.com		Title: 10/100 BASE MAGNETIC MODULE	
UNLESS OTHERWISE SPECIFIED TOLERANCES: .xxx ±0.010 Dimensions in Inch		P/N: XF6612TX5B	REV. A
SHEET 1 OF 1		DWN. 罗振江	Nov-30-06
		CHK. 廖玉坤	Nov-30-06
		APP. BW	Nov-30-06