

LED EVACUATION SIGNS SERIES

LinkCom[®]
LinkCom Manufacturing Co., Ltd.



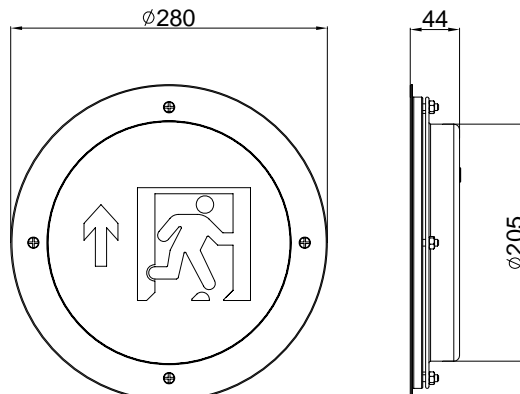
FEATURES

- ◆ Input: 187~240Vac
- ◆ High Operating ambient Temp: -10°C~+45°C
- ◆ MTBF: 18000 hrs/25°C
- ◆ Safety: GB17945-2000
- ◆ Dimension (mm): Φ *H: 280*44

Electrical Specifications @25°C

| Part No. | | FSM000100004-O2 |
|---------------------|-----------------|---|
| Input | Voltage range | 187~240Vac |
| | Frequency range | 50Hz |
| Power | | 3.5W MAX |
| Charge time | | ≤24H |
| Emergency time | | ≥90min |
| Standby electricity | | Ni-Cd batteries |
| LAMP | | LED |
| Safety | | GB17945-2000 |
| Material | | Spray-painting base and stainless steel surface |
| Using surrounding | | -10°C-45°C |
| Mounting | | Underground lamps |

DIMENSIONS [mm]



www.linkcom.com.tw For more information, please contact with :sales@linkcom.com.tw