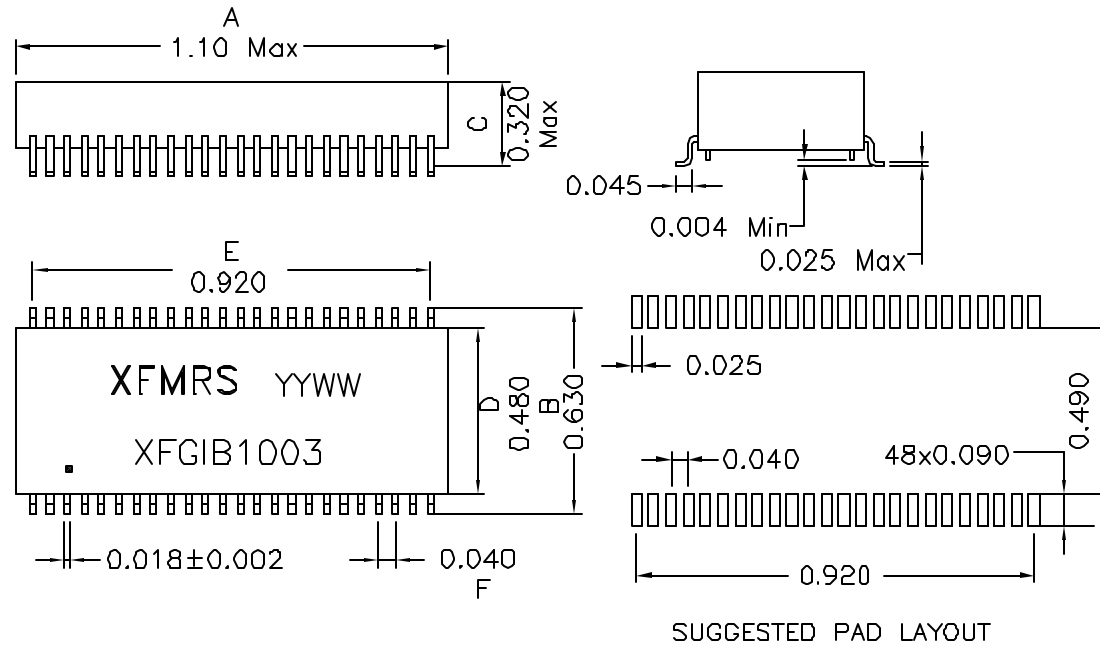
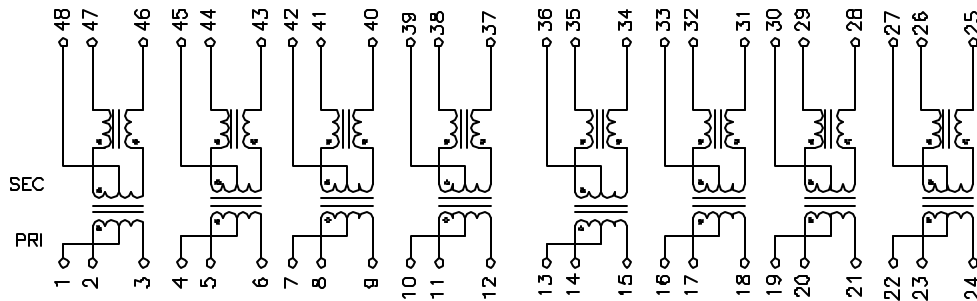


1. Dimensions:



2. Schematic:



DOC. REV: A/8

3. Electrical Specifications: @25°C

- ISOLATION: 1500 Vrms
- URNS RATIO: (PRI/SEC) 1CT:1CT ±2%
- OCL: 350uH MIN @100KHz 100mV 8mADC
- Rise Time: 1.75ns Max.
- INSERTION LOSS: -1.4dB MAX @1MHz-100MHz
- RETURN LOSS: -16dB Min @1-30MHz
 - 14.4dB Min @40MHz, -13.1dB Min @50MHz
 - 12dB Typ @60-100MHz
- Differential to Common Mode Rejection:
 - 45dB Min @30MHz -40dB Min @60MHz
 - 35dB Min @100MHz
- CMRR: -30dB Min @1-100MHz
- Crosstalk: -43.5dB Min @30MHz
 - 37.5dB Min @60MHz, -33dB Min @100MHz

Notes:

1. Solderability: Leads shall meet MIL-STD-202, Method 208D for solderability.
2. Flammability: UL94V-0
3. ASTM oxygen index: > 28%
4. Temperature rating: 155°C. UL file E151556
5. Operating Temperature Range: All listed parameters are to be within tolerance from -40°C to +85°C

XFMRS Inc	Title: 1000BASE-T Modules		
	UNLESS OTHERWISE SPECIFIED TOLERANCES: .xxx ±0.010 Dimensions in INCH	P/N: XFGIB1003	REV. A
SCALE 2:1 SHT 1 OF 1	DWN.	李小锋	Apr-19-05
	CHK.	廖玉坤	Apr-19-05
	APP.	Joe Huff	Apr-19-05