

# High speed thermal printhead (300 dots / inch)

## SE3002-DC94A

High speed, high quality, and high durability are achieved by using step free structure with high performance partial glaze and highly conductive overcoat layer. SE300\*-DC94A series are lined up which can accommodate with all types of barcode labeling printers from Direct to Thermal Transfer, normal to high speed (over 300mm/s).

Implementation of ROHM Unique technology, Anti Sticking Treatment, reduces sticking problems (print skip at media feed direction) under the tough print conditions at low print speed, using label media with over coated.

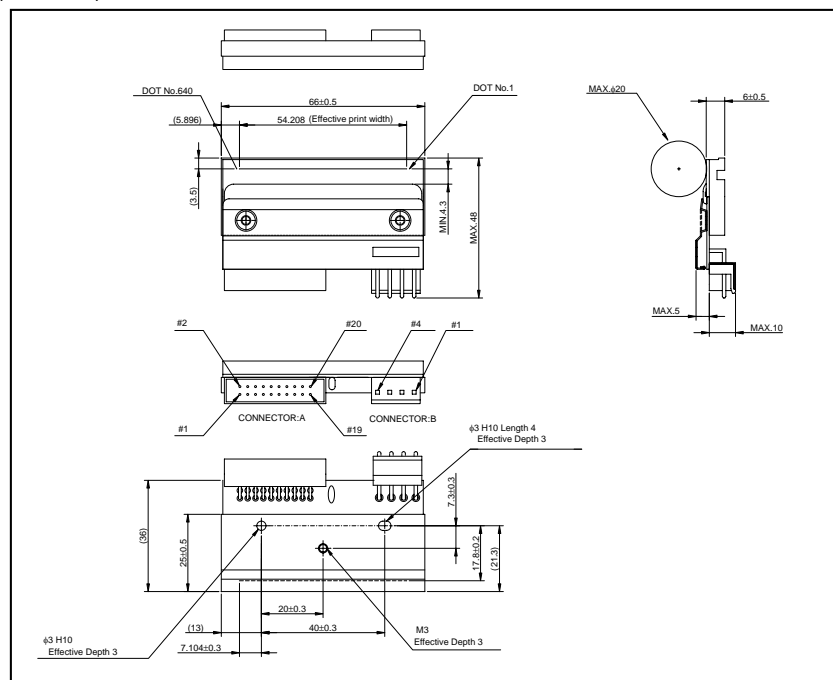
### ●Applications

Bar code printer  
Label printer  
Packaging printer  
ATM  
Ticket printer

### ●Features

- 1) Anti Sticking Treatment reduces sticking problems and achieves high print quality at any environmental conditions.
- 2) ROHM new technology "STEP FREE" structure will provide, high corrosion resistance, better resistance against scratching damage, high efficiency.
- 3) Standard glazed components to accommodate thick paper.
- 4) Using a hard conductive film as a protective film on the heating element offers excellent resistance to electrostatic damage.

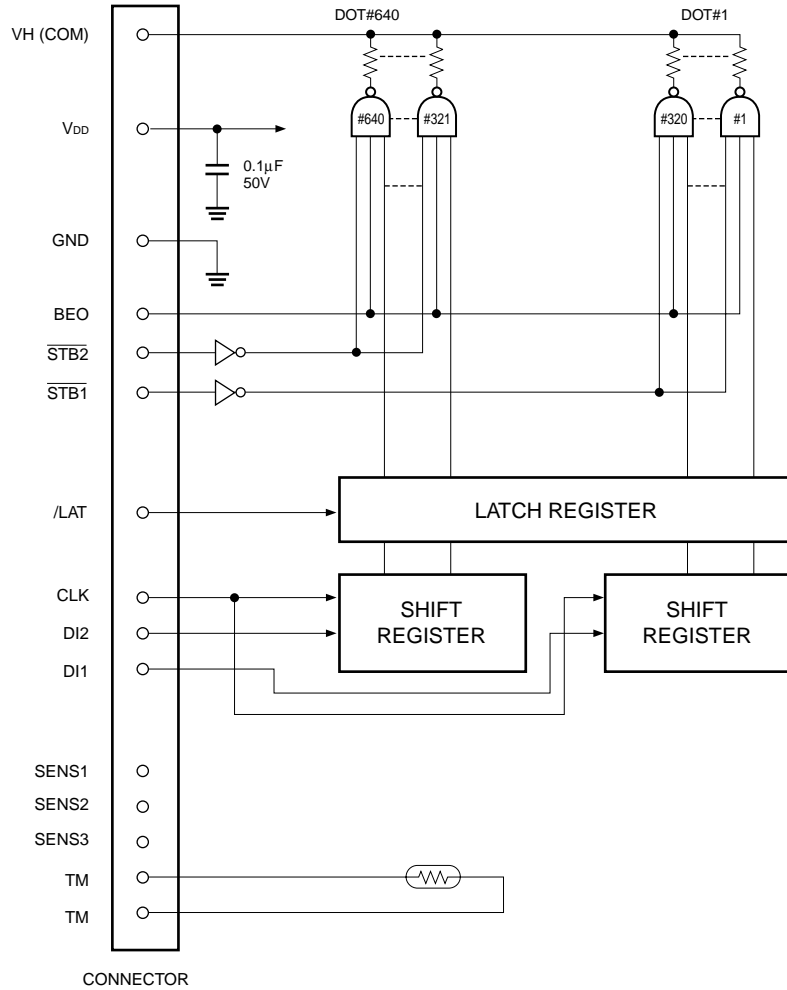
### ●Dimensions (Unit : mm)



Note : No heat history control function inside the thermal printhead. External heat history control is required for high speed printing.

Printheads

●Equivalent circuit



DI No.	DOT No.
DI2	640 to 321
DI1	320 to 1

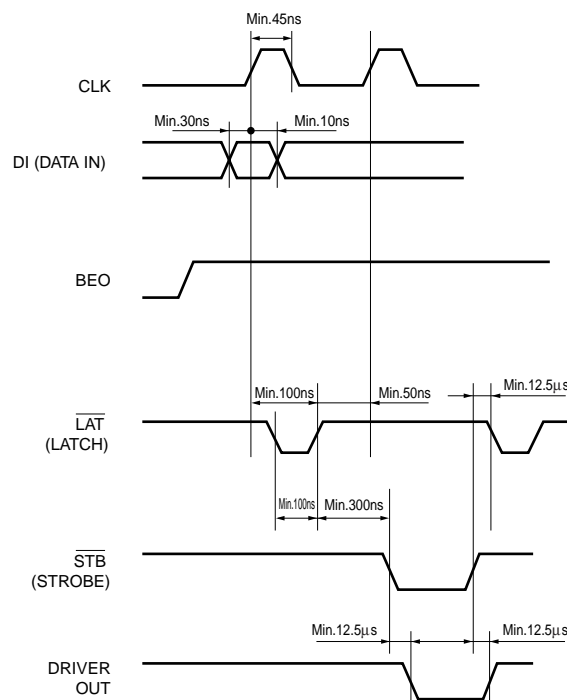
STB No.	DOT No.
STB2	640 to 321
STB1	320 to 1

## Printheads

### ●Pin assignments

No.	Circuit	No.	Circuit	No.	Circuit
1	V <sub>DD</sub>	2	BEO	1	VH
3	GND	4	DI2	2	VH
5	N.C.	6	CLK	3	VH
7	$\overline{\text{LAT}}$	8	GND	4	GND
9	GND	10	DI1	5	GND
11	N.C.	12	GND	6	GND
13	V <sub>DD</sub>	14	$\overline{\text{STB2}}$		
15	$\overline{\text{STB1}}$	16	TM		
17	TM	18	SENS1		
19	SENS2	20	SENS3		

### ●Timing chart



## Printheads

---

### ●Characteristics

Parameter	Symbol	Typical	Unit
Effective printing width	–	54.2	mm
Dot pitch	–	0.0847	mm
Total dot number	–	640	dots
Average resistance value	Rave	850	$\Omega$
Applied voltage	V <sub>H</sub>	24	V
Applied power	P <sub>O</sub>	0.59	W / dot
Print cycle	SLT	0.42	ms
Maximum number of dots energized simultaneously	–	640	dots
Maximum clock frequency	–	10	MHz
Maximum roller diameter	–	$\phi$ 20	mm
Running life / pulse life	–	150 / 10 <sup>8</sup>	km / pulses
Operating temperature	–	5 to 45	°C

### Notes

- No technical content pages of this document may be reproduced in any form or transmitted by any means without prior permission of ROHM CO.,LTD.
- The contents described herein are subject to change without notice. The specifications for the product described in this document are for reference only. Upon actual use, therefore, please request that specifications to be separately delivered.
- Application circuit diagrams and circuit constants contained herein are shown as examples of standard use and operation. Please pay careful attention to the peripheral conditions when designing circuits and deciding upon circuit constants in the set.
- Any data, including, but not limited to application circuit diagrams information, described herein are intended only as illustrations of such devices and not as the specifications for such devices. ROHM CO.,LTD. disclaims any warranty that any use of such devices shall be free from infringement of any third party's intellectual property rights or other proprietary rights, and further, assumes no liability of whatsoever nature in the event of any such infringement, or arising from or connected with or related to the use of such devices.
- Upon the sale of any such devices, other than for buyer's right to use such devices itself, resell or otherwise dispose of the same, no express or implied right or license to practice or commercially exploit any intellectual property rights or other proprietary rights owned or controlled by
- ROHM CO., LTD. is granted to any such buyer.
- Products listed in this document are no antiradiation design.

The products listed in this document are designed to be used with ordinary electronic equipment or devices (such as audio visual equipment, office-automation equipment, communications devices, electrical appliances and electronic toys).

Should you intend to use these products with equipment or devices which require an extremely high level of reliability and the malfunction of which would directly endanger human life (such as medical instruments, transportation equipment, aerospace machinery, nuclear-reactor controllers, fuel controllers and other safety devices), please be sure to consult with our sales representative in advance.

It is our top priority to supply products with the utmost quality and reliability. However, there is always a chance of failure due to unexpected factors. Therefore, please take into account the derating characteristics and allow for sufficient safety features, such as extra margin, anti-flammability, and fail-safe measures when designing in order to prevent possible accidents that may result in bodily harm or fire caused by component failure. ROHM cannot be held responsible for any damages arising from the use of the products under conditions out of the range of the specifications or due to non-compliance with the NOTES specified in this catalog.

Thank you for your accessing to ROHM product informations.

More detail product informations and catalogs are available, please contact your nearest sales office.

**ROHM** Customer Support System

THE AMERICAS / EUROPE / ASIA / JAPAN

[www.rohm.com](http://www.rohm.com)

Contact us : [webmaster@rohm.co.jp](mailto:webmaster@rohm.co.jp)