

SHIELDED SMD INDUCTOR DR358-6 SERIES

Features

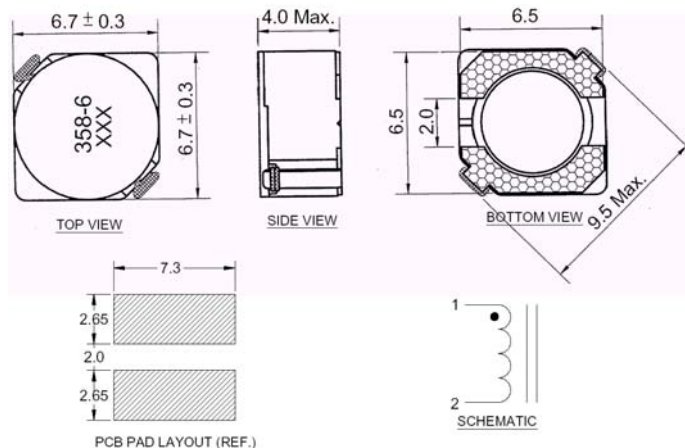
- Low Profile Surface Mount Design
- Flat Top for Pick and Place
- Inductance Range from 3.3 μ H to 100.0 μ H
- Operating Temp. -20°C to +80°C
- Tinned Leads with Leaded Solder is Available (note 7)



ELECTRICAL SPECIFICATIONS AT 25°C

Part No.	Inductance (μ H) \pm 30%	DCR (Ω) Max.	I rated (A) Max.
DR358-6-332	3.3	0.020	3.50
DR358-6-502	5.0	0.024	2.90
DR358-6-622	6.2	0.030	2.40
DR358-6-742	7.4	0.033	2.30
DR358-6-872	8.7	0.034	2.20
DR358-6-103	10.0	0.038	2.00
DR358-6-123	12.0	0.053	1.70
DR358-6-153	15.0	0.057	1.60
DR358-6-183	18.0	0.092	1.50
DR358-6-223	22.0	0.096	1.30
DR358-6-273	27.0	0.109	1.20
DR358-6-333	33.0	0.124	1.10
DR358-6-393	39.0	0.138	1.00
DR358-6-473	47.0	0.155	0.95
DR358-6-563	56.0	0.202	0.85
DR358-6-683	68.0	0.234	0.75
DR358-6-823	82.0	0.324	0.70
DR358-6-104	100.0	0.358	0.65

MECHANICAL OUTLINES



Notes:

1. All dimensions are shown in millimeter "mm"
2. General tolerance \pm 0.2mm, unless other specified
3. Inductance Test: 100kHz, 0.1Vrms
4. I_{rated} for an approximate 40°C temperature rise
5. I_{rated} for an approximate 35% drop maximum of the initial value
6. Tape and reel quantity, 1000 pcs/reel
7. For non-RoHS part replace DR prefix with 42- (e.g. DR358-6 becomes 42-358-6)
8. Terminal finish is compliant to RoHS requirements. Solder in accordance with J-STD-020C.