

AC-DC Power Supplies

VAN70 SERIES (72 WATTS DESKTOP AC ADAPTER)

Features

- Two type IEC C6, C8 inlet socket
- Wide range AC voltage input
- Constant current output built-in
- Level B EMI filter
- Fully enclosed plastic case
- Fully regulated output
- High efficiency
- High Quality



Electrical specifications

Input

Voltage 90-264VAC (wide range)
 Current 1.5 Arms Max.
 Frequency 47-63Hz

Output

Voltage (Vo) (see table)
 Tolerance 5%
 Power (Po) 72W Max.
 Hold up time 12ms min. at full load, 115VAC
 Over voltage protection... Built-in
 Over current protection... 120% of full load or CC mode
 Short circuit protection ... Built-in
 Efficiency 80% typ. at full load/115VAC
 Ripple/Noise(Vp-p) 1% (20MHz bandwidth)

Output Electronic Specifications

Model No.	Po	Vo	Io max
VAN70-120	60W	12V	5.0A
VAN70-150	72W	15V	4.8A
VAN70-160	72W	16V	4.5A
VAN70-170	72W	17V	4.23A
VAN70-180	72W	18V	4.0A
VAN70-190	72W	19V	3.78A
VAN70-480	70W	48V	1.45A

*Output cable please refer to output cable diagram.

Environmental

Operating temperature

0 deg. C to +40 deg. C ambient

Storage temperature

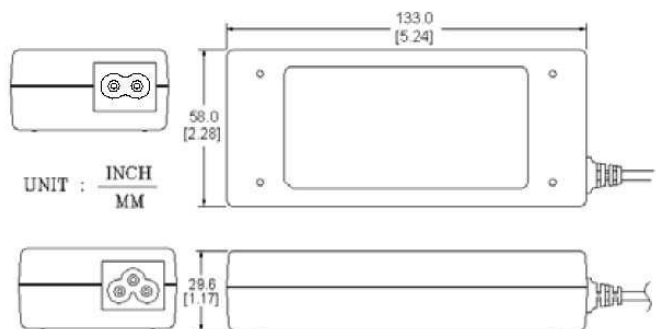
-20 deg. C to +80 deg. C ambient

EMI

Meet FCC class B, CISPR 22 class B, VCCI class B

Safety

- CB
- CE
- FCC
- UL/CUL



Power Systems – The Power Solution

Web: www.Power-Systems.de
 Email: Info@Power-Systems.de

Address: Dörnet 8 ; 74360 Ilsfeld-Auenstein / Germany
 Tel. : + 49 / 70 62 / 67 59 - 6
 Fax: + 49 / 70 62 / 67 59 - 80