

SoniCrest

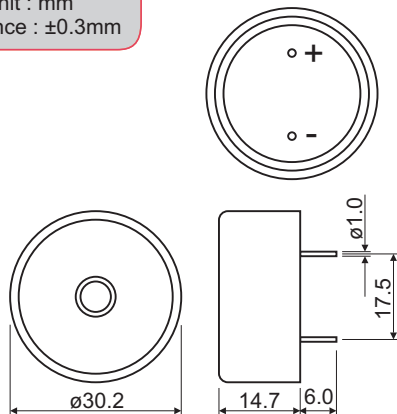
PIEZO SOUND GENERATORS



HPA30FX

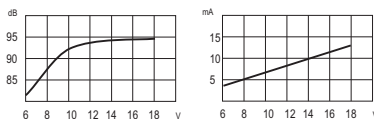
Dimension

Unit : mm
Tolerance : $\pm 0.3\text{mm}$



Characteristics Response

Measuring Temperature : 25°C
Measuring Distance : 30cm



Specification (all data taken at 25°C unless otherwise specified)

HPA30FX	Rated Voltage (VDC)	Operating Voltage (VDC)	★Rated Current (mA)	★Sound Output at 30cm (dB)	★Generated Frequency (Hz)	Operating Temperature (°C)	Storage Temperature (°C)
	12	3 ~ 20	≤ 10	≥ 90	3200 ± 500	-20 ~ +60	-30 ~ +70

★Value Applying Rated Voltage, DC