

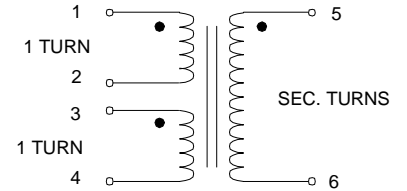
# SURFACE MOUNT CURRENT SENSE TRANSFORMER

- Self-leaded, Surface Mount
- Suited for IR and Vapor Phase Reflow Soldering
- Designed for Switching Power Supply Applications

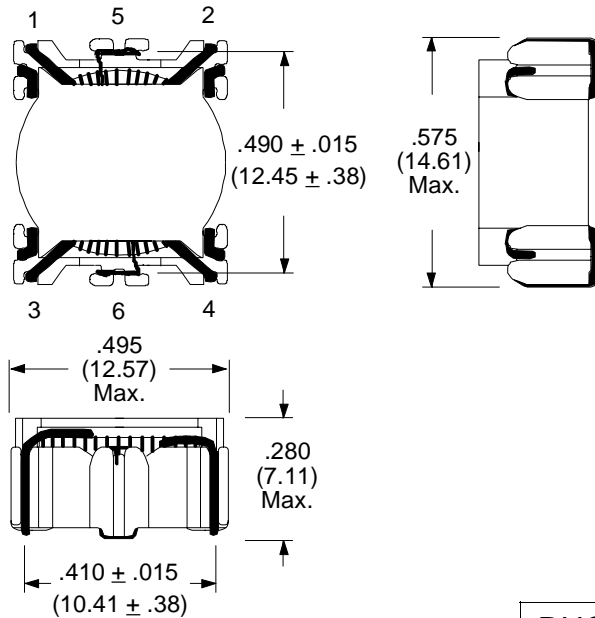
PARAMETER	MIN.	MAX.	UNITS
Secondary Inductance	3.8		mH
Secondary DC Resistance		.38	ohms
Isolation (HI-POT)	500		V <sub>RMS</sub>
Current	15.3		Amps
Secondary Turns (SEC.)	50		

Inductance is measured at 100 kHz, 20 mV rms.  
Reference values are for the one turn winding connected in parallel for unipolar operation at 200 kHz.

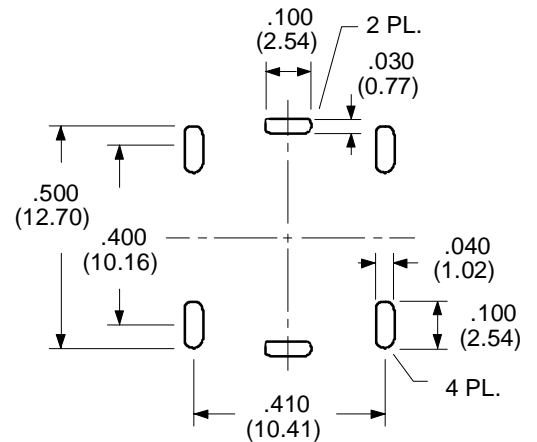
### SCHEMATIC DIAGRAM



### Dimensions in inches (mm)



### Footprint



**RHOMBUS P/N: T-20197**

CUST P/N:

NAME:

DATE: **3/21/98**

SHEET: 1 OF 1