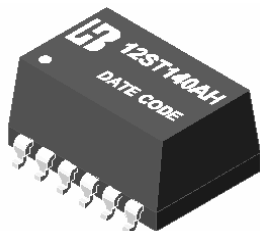


**Feature**

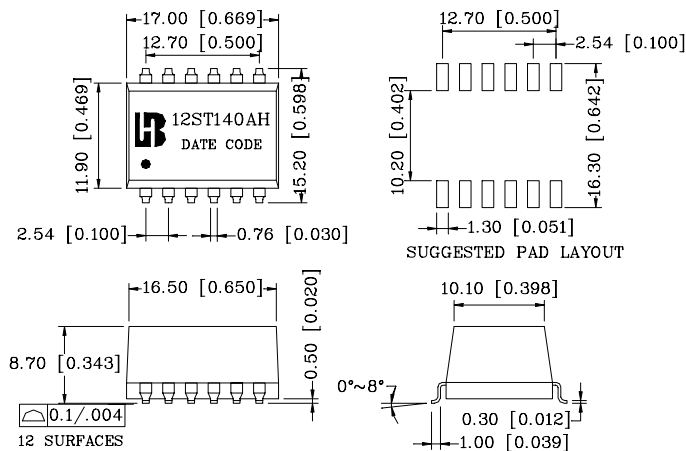
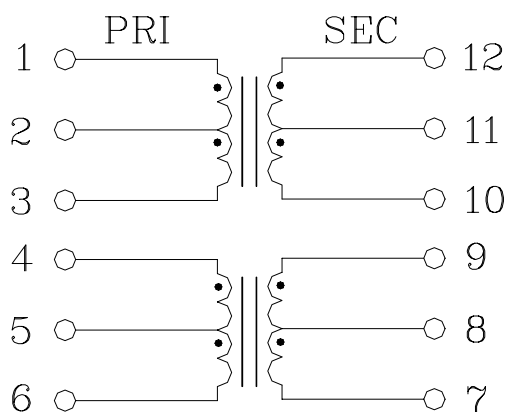


- Operating temperature range: 0°C to +70°C.
- Storage temperature range: -25°C to +125°C.

Electrical Specifications @ 25°C							
Part Number	Turns Ratio (±3%)		OCL (uH Typ)	C <sub>ww</sub> (pF Max)	L.L (uH Max)	PRI DCR (Ω Max)	HI-POT (Vrms)
	1-3:12-10	4-6:9-7					
12ST140AH	1CT:1CT	1CT:1.414CT	140	12	0.4	0.4	3000

**Schematic**

**Mechanical**



Units: mm[Inches] Tolerances: xx.x0±0.25[0.010]  
 0.xx±0.05[0.002]

**Bothhand USA    email:sales@bothhandusa.com    http://www.bothhandusa.com**  
**10 BASE-T SMD ETHERNET TRANSFORMER**

**P/N:12ST140AH DATA SHEET**

Page : 2/2

---