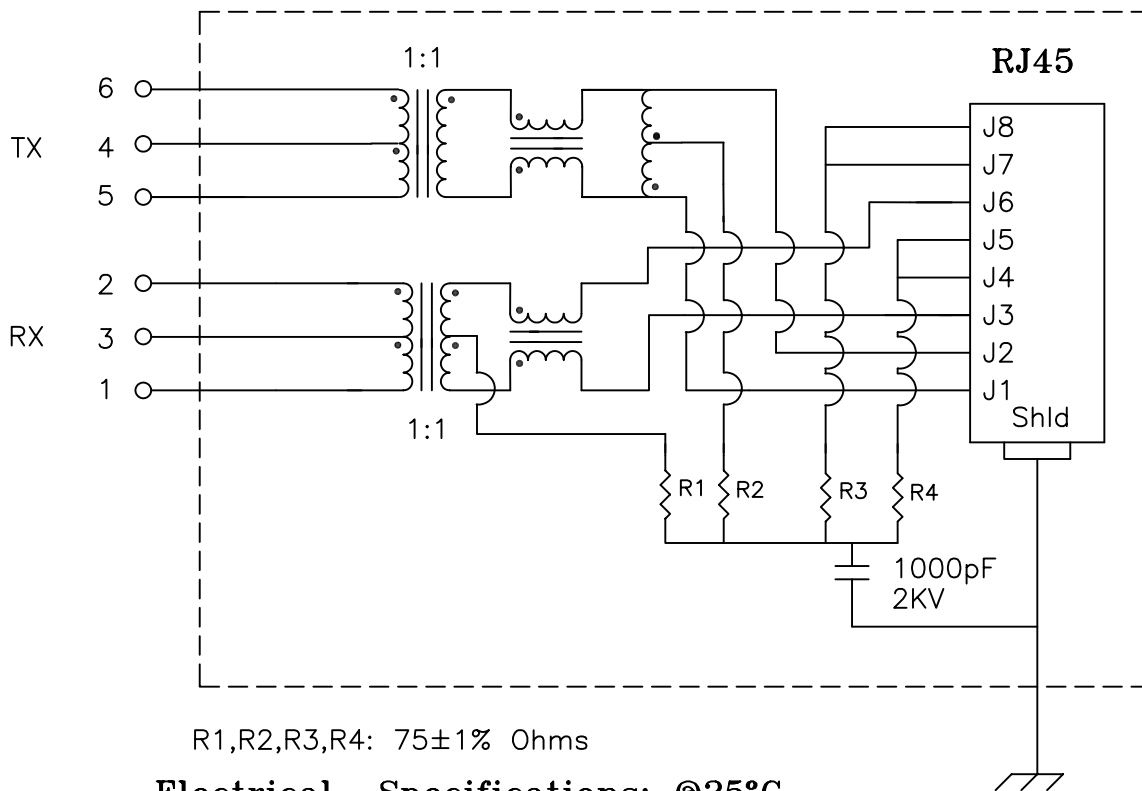


## Schematic:



## Electrical Specifications: @25°C

Isolation Voltage: 1500Vac

Isolation Voltage: 500Vac (1+2+3+5+6+7)

UTP SIDE OCL: 350uH Min @100KHz 100mV, 8mA<sub>dc</sub>

Rise Time (10–90%): 2.5ns Typical

Insertion Loss (300KHz–100MHz): –1.1dB Maximum

Insertion Loss (100MHz–125MHz): –1.5dB Maximum

Return Loss: –12dB Typical @300KHz – 100MHz

Crosstalk:

100KHz–60MHz –40dB Typical

60MHz–100MHz –38dB Typical

Common Mode to Differential Mode Rejection:

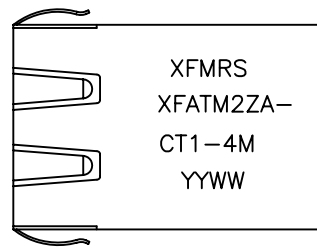
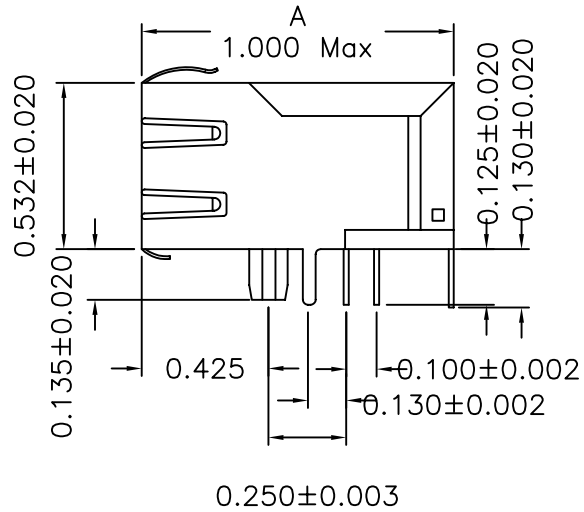
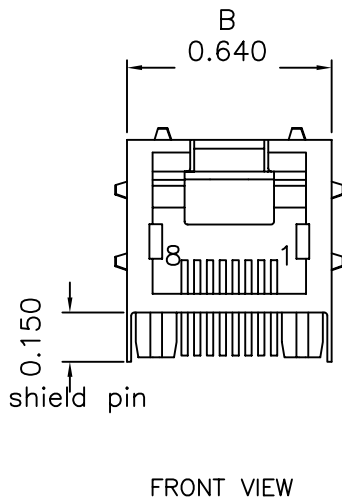
1MHz–100MHz –30dB Typ (Tx) / –30dB Typ (Rx)

200MHz –20dB Typ (Tx) / –20dB Typ (Rx)

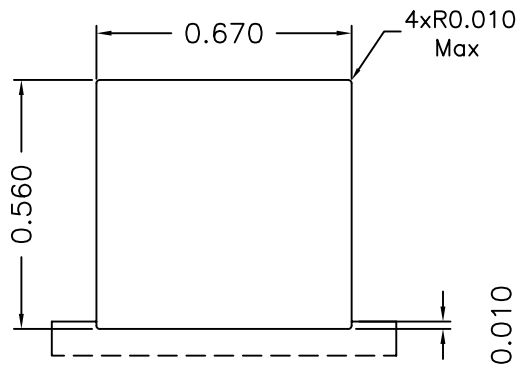
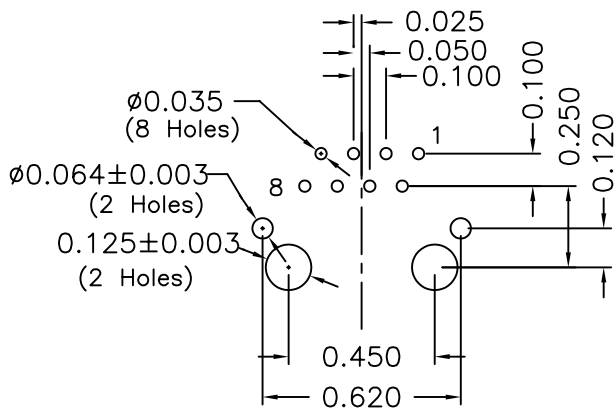
DOC REV: A/1

<b>XFMRs Inc.</b> UNLESS OTHERWISE SPECIFIED TOLERANCES: .xxx ±0.010 Dimensions in Inch SHEET 1 OF 2	Title: SINGLE PORT COMBO	
	P/N: XFATM2ZA-CT1-4M	REV. A
	DWN. 李小锋	Dec-09-02
	CHK. 廖玉坤	Dec-09-02
	APP. BW	Dec-09-02

**Mechanical Dimensions:**



**Mounting Pattern:**



DOC REV: A/1

<b>XFMRS Inc.</b>	Title: Mechanical Dimensions For TAB UB RJ45 COMBO		
	UNLESS OTHERWISE SPECIFIED TOLERANCES: .xxx ±0.010 Dimensions in Inch	P/N: XFATM2ZA-CT1-4M	REV. A
	DWN.	李小锋	Dec-09-02
	CHK.	廖玉坤	Dec-09-02
SHEET 2 OF 2	APP.	BW	Dec-09-02