



SERIES: E TSA 12 W

DESCRIPTION: SWITCHING POWER SUPPLY

**FEATURES**

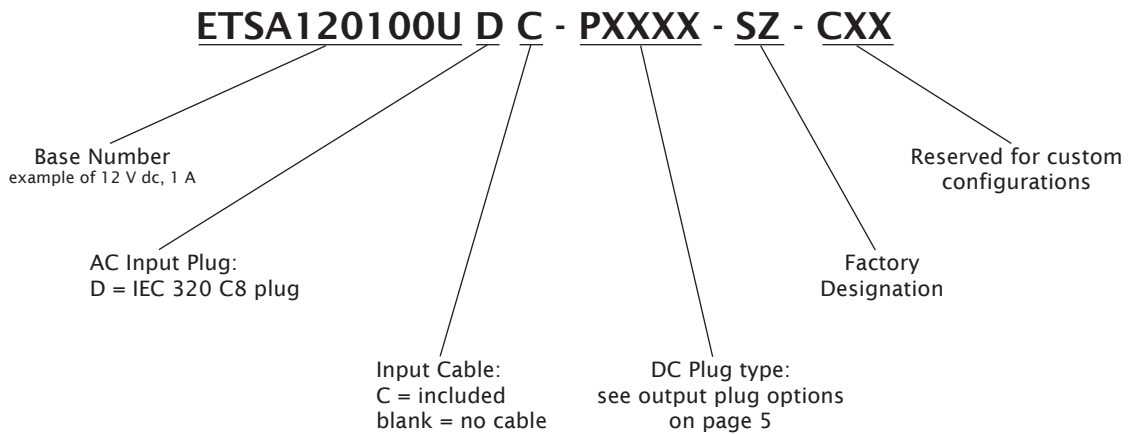
- universal AC input
- regulated output voltage
- short circuit protection
- meets EISA / efficiency level V regulations
- custom designs available



MODEL	output voltage		output current		output wattage	ripple*	efficiency level	cord length (mm)
	nominal (V dc)		min (A)	max (A)	max (W)	max. (mVp-p)		
ETSA050200U	5		0	2	10	100	V	1830 +150/-0
ETSA060200U	6		0	2	12	150	V	1830 ±100
ETSA090133U	9		0	1.33	12	150	V	1830 ±100
ETSA120100U	12		0	1	12	100	V	1830 +150/-0
ETSA150080U	15		0	0.8	12	150	V	1830 ±100
ETSA180066U	18		0	0.66	12	150	V	1830 ±100
ETSA240050U	24		0	0.5	12	150	V	1830 ±100

\*at full load, 100 ~ 240 V ac input, measured at 20MHz bandwidth with a 10 uF electrolytic cap and a 0.1 uF ceramic cap on the output

**PART NUMBER KEY**





**SERIES: ETSA 12 W**

**DESCRIPTION: SWITCHING POWER SUPPLY**

## INPUT

parameter	conditions/description	min	nom	max	units
rated input voltage		100		240	V ac
input voltage range		90		264	V ac
rated frequency		50		60	Hz
frequency range		47		63	Hz
rated input current				0.3	A
inrush current	115 V ac, cold start 230 V ac, cold start			30 60	A A
no load power consumption				0.3	W

## OUTPUT

parameter	conditions/description	min	nom	max	units
line regulation			±5		%
load regulation			±5		%
over voltage protection	output voltage clamped by internal protection zener				
short circuit protection	output shut down and auto-restart				

## SAFETY & EMI

parameter	conditions/description	min	nom	max	units
HI-POT	input to output at 10 mA for 1 minute			3,000 4,242	V ac V dc
insulation resistance	input to output at 500 V dc	100			MΩ
safety approvals	UL/cUL (UL60950-1), TUV/GS				
EMI standard	FCC class B, CE, VCCI, EN55022, EN55024				
leakage current				0.25	mA
RoHS compliant	yes				

## ENVIRONMENTAL

parameter	conditions/description	min	nom	max	units
operating temperature		0		40	°C
operating humidity		20		80	%
storage temperature		-10		70	°C
storage humidity		10		90	%

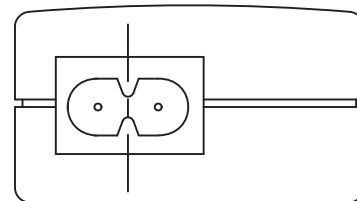
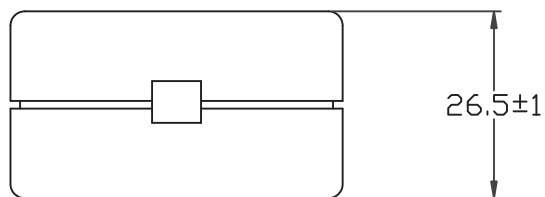
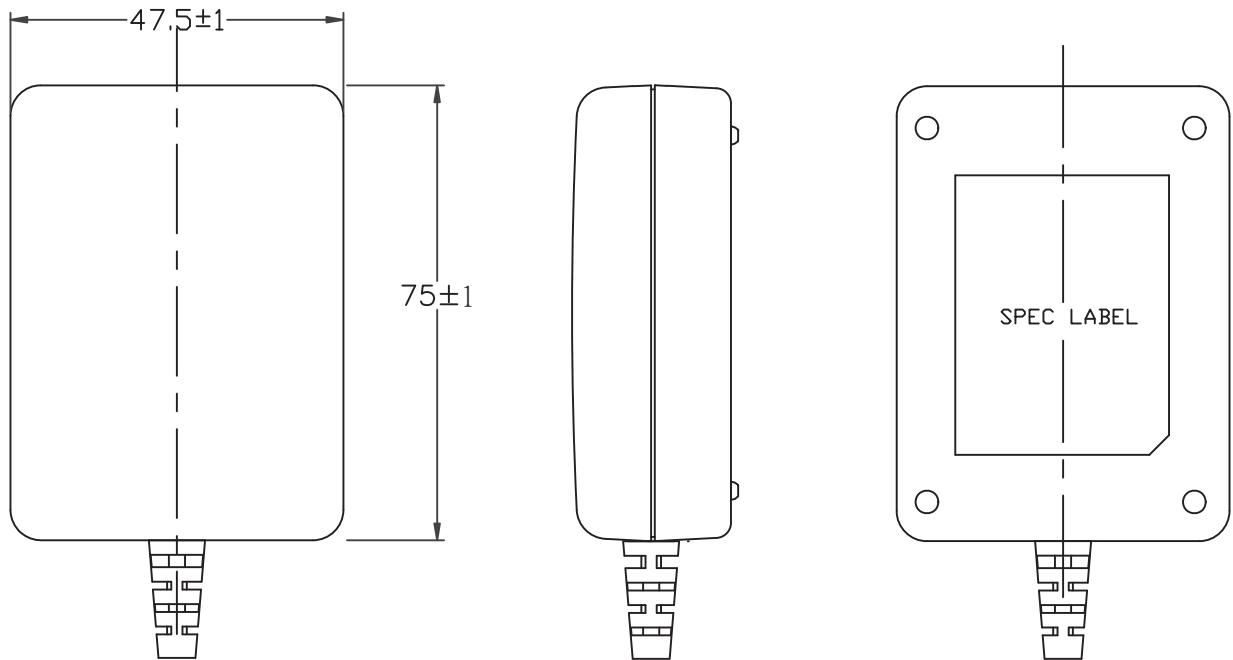


SERIES: ETSA 12 W

DESCRIPTION: SWITCHING POWER SUPPLY

**MECHANICAL DRAWING**

case size 75 L x 47.5 W x 26.5 H mm  
tolerance:  $\pm 1$  mm

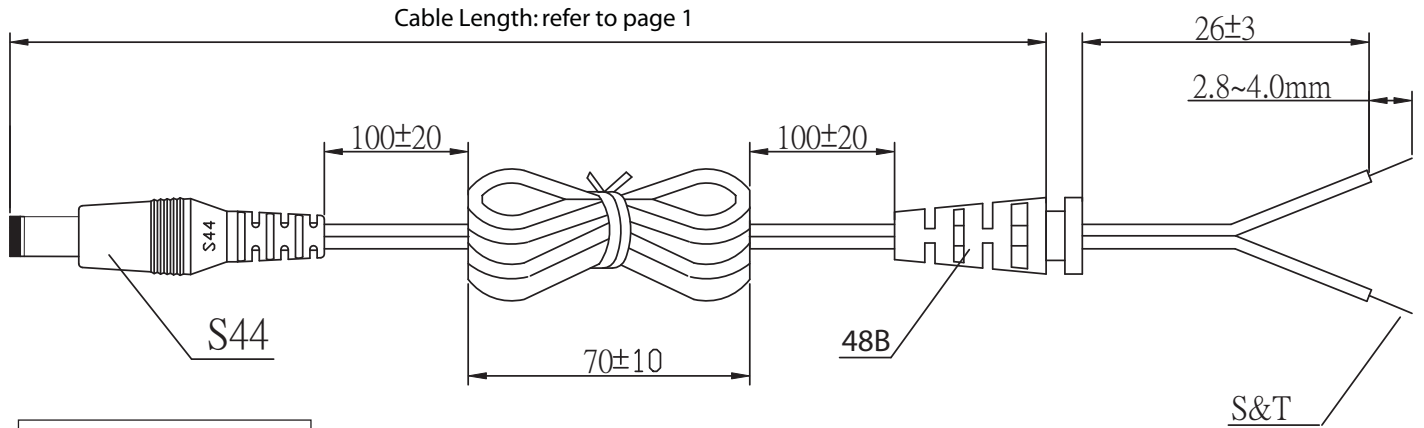




SERIES: ETSA 12 W

DESCRIPTION: SWITCHING POWER SUPPLY

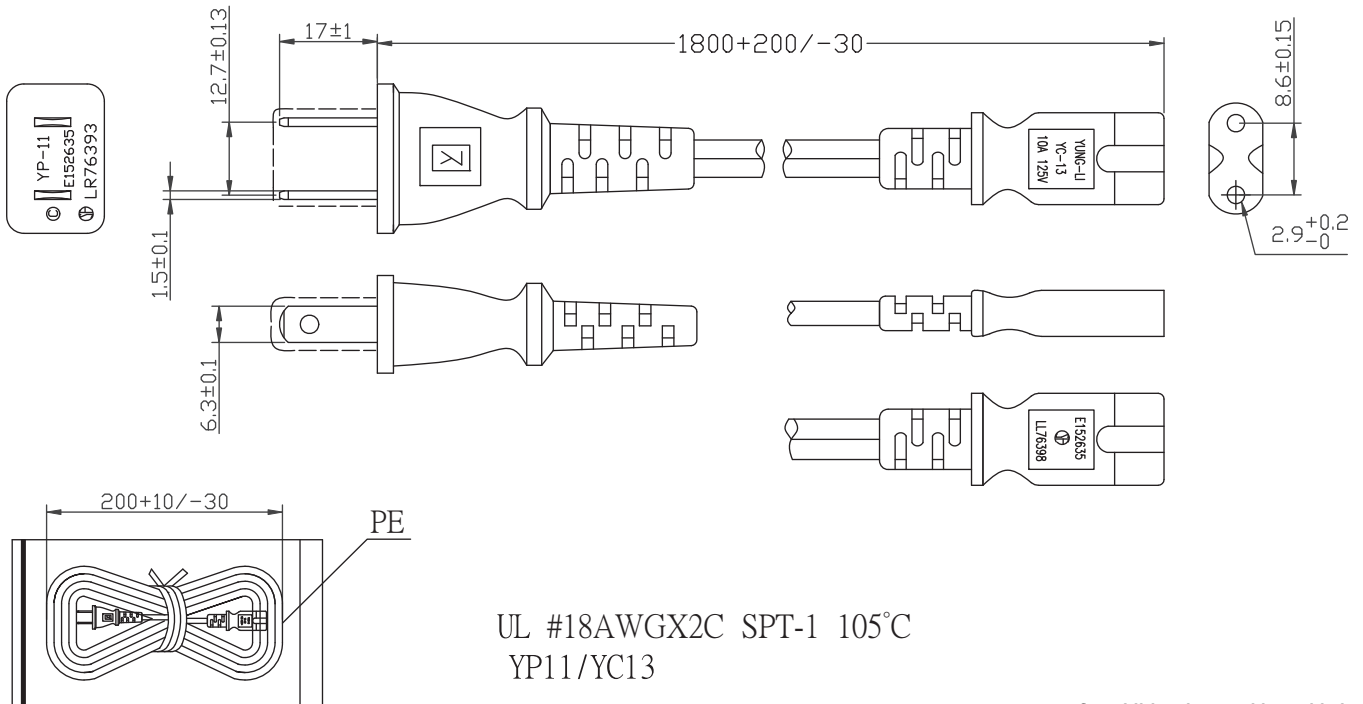
**DC CORD**



Cable Gauge	
ETSA050200	20 AWG
ETSA060200	18 AWG
ETSA090133	20 AWG
ETSA120100	22 AWG
ETSA150080	22 AWG
ETSA180066	24 AWG
ETSA240050	24 AWG

Black wire, white stripe: Positive

**AC CORD**



UL #18AWGX2C SPT-1 105°C  
YP11/YC13

\*Contact CUI for additional ac cord input blade options.

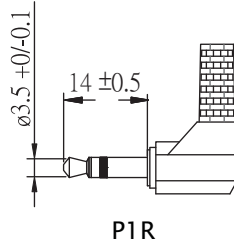
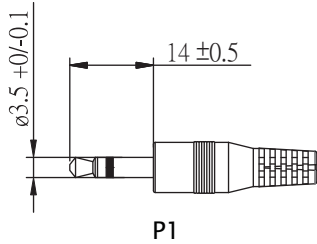


SERIES: ETSA 12 W

DESCRIPTION: SWITCHING POWER SUPPLY

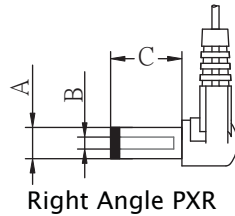
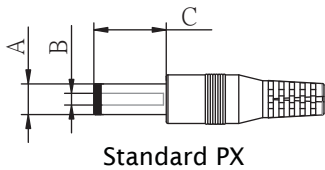
**OUTPUT PLUG OPTIONS**

**3.5 mm Phono Plug**



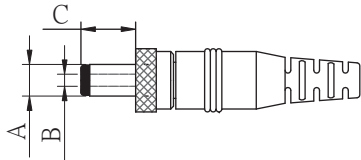
\*Tip positive

**Standard DC Plug**



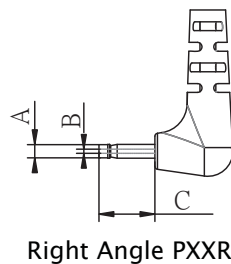
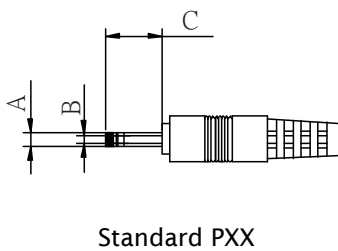
	A	B	CU	nit
P5/P5R	5.5	2.1	9.5	mm
P6/P6R	5.5	2.5	9.5	mm
P7/P7R	3.5	1.3	9.5	mm
P8/P8R	3.8	1.35	9.5	mm
P9/P9R	3.8	1.05	9.5	mm

**Locking DC Plug**

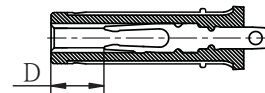


	A	B	CU	nit
P10	5.5	2.1	9.5	mm
P11	5.5	2.5	9.5	mm

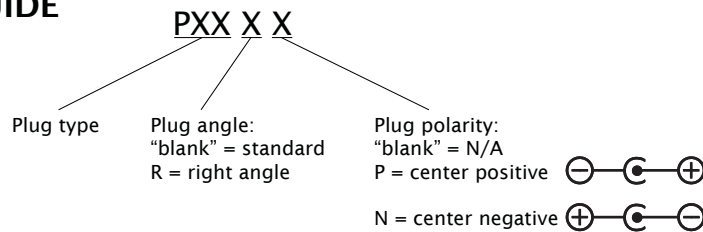
**EIAJ Plugs**



	EIAJ	A	B	C	DU	nit
P12/P12R	EIAJ-1	2.35	0.7	9.5	NA	mm
P13/P13R	EIAJ-2	4.0	1.7	9.5	5.0	mm
P14/P14R	EIAJ-3	4.75	1.7	9.5	5.0	mm



**PART NUMBER GUIDE**



\*Contact CUI for additional output plug options.

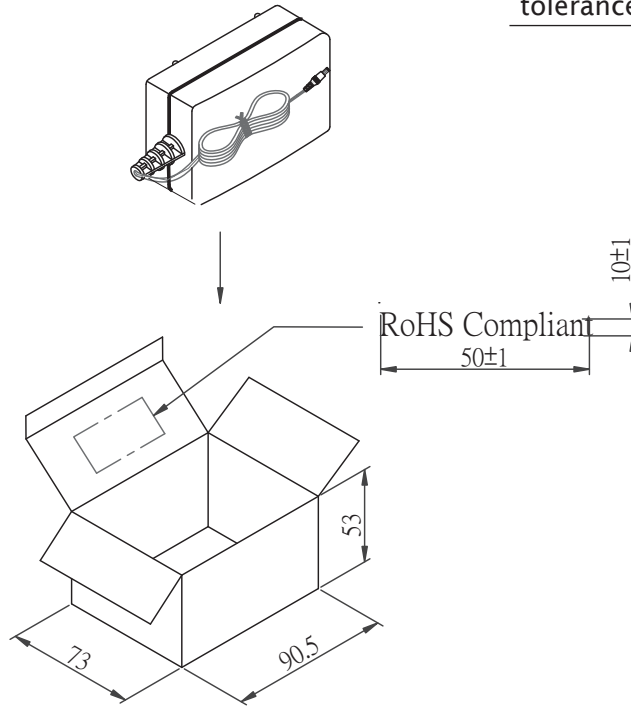


SERIES: ETSA 12 W

DESCRIPTION: SWITCHING POWER SUPPLY

**INDIVIDUAL PACKAGING**

tolerance  $\pm 1$  mm



**PACKAGING**

tolerance  $+7 / -0$  mm

EXTERNAL CARTON MATERIAL:A=B(6mm)

INTERNAL CARTON MATERIAL:B33(3mm)

CARTON SIZE: 405X395X265mm

Q'TY: 80pcs(20x4x1)

"RoHS Compliant"

