

M28840/25 EMI Adapters for M28840 Connectors

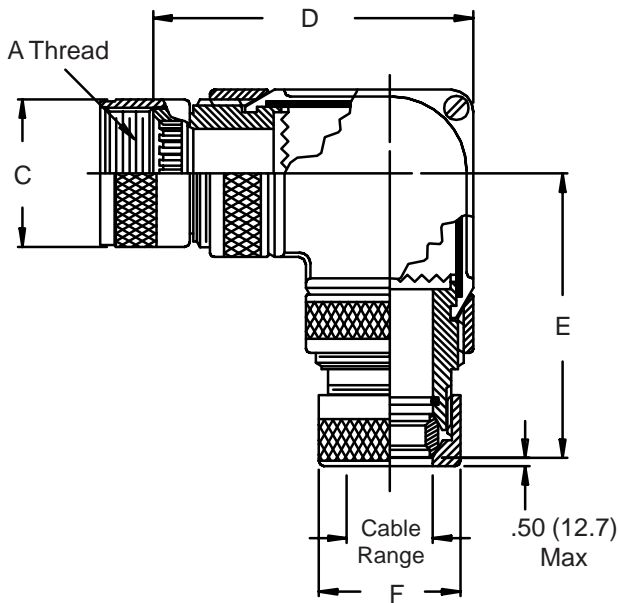
**Glenair Connector
Designator G**

MIL-C-28840

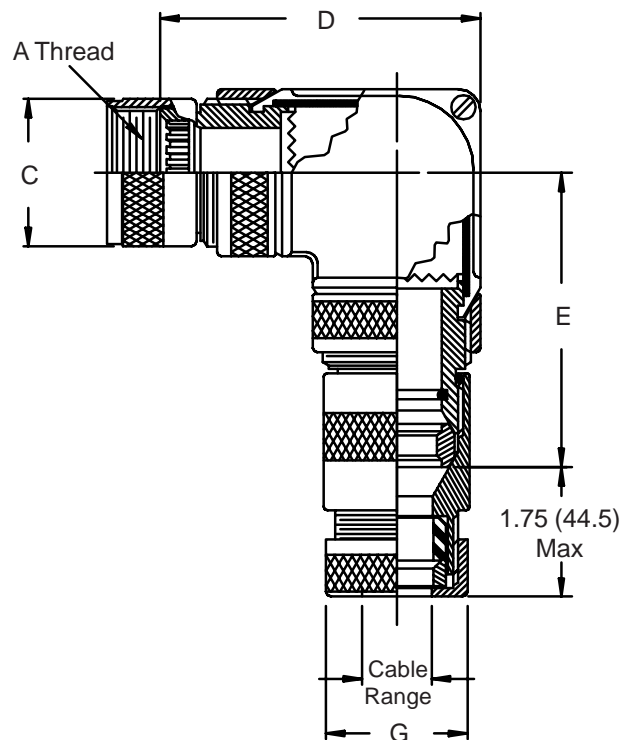
M28840/25 16 W A

Basic Part No. _____
 Dash No. (Table I) _____
 Material and Finish _____
 W = Aluminum, Cadmium Plate,
 Olive Drab over Electroless Nickel
 D = CRES 316, Cadmium Plate, Black

Style Designator:
 A = EMI/Non-Environmental
 B = EMI/Environmental



**STYLE A - EMI/Non-Environmental
(Plain Conduit)**



**STYLE B - EMI/Environmental
(Jacket Conduit)**

1. For complete dimensions see applicable Military Specification.
2. Metric dimensions (mm) are indicated in parentheses.

M28840/25 EMI Adapters for M28840 Connectors



TABLE I

Dash No.	Shell Size (Table II)	D Max Dim	E Max Dim	F Max Dia	G Max Dia	Cable Range		Conduit Size *
						Max	Min	
1	11	2.36 (59.9)	3.50 (88.9)	1.12 (28.4)	1.19 (30.2)	.63 (16.0)	.50 (12.7)	03
2	13	2.36 (59.9)	3.50 (88.9)	1.12 (28.4)	1.19 (30.2)	.63 (16.0)	.50 (12.7)	03
3	13	2.36 (59.9)	3.50 (88.9)	1.25 (31.8)	1.38 (35.1)	.75 (19.1)	.63 (16.0)	04
4	15	2.56 (65.0)	3.69 (93.7)	1.12 (28.4)	1.19 (30.2)	.63 (16.0)	.50 (12.7)	03
5	15	2.56 (65.0)	3.69 (93.7)	1.25 (31.8)	1.38 (35.1)	.75 (19.1)	.63 (16.0)	04
6	15	2.56 (65.0)	3.69 (93.7)	1.43 (36.3)	1.63 (41.4)	.88 (22.4)	.75 (19.1)	05
7	15	2.67 (67.8)	3.81 (96.8)	1.62 (41.1)	1.94 (49.3)	1.00 (25.4)	.88 (22.4)	06
8	17	2.67 (67.8)	3.81 (96.8)	1.43 (36.3)	1.63 (41.4)	.88 (22.4)	.75 (19.1)	05
9	17	2.67 (67.8)	3.81 (96.8)	1.62 (41.1)	1.94 (49.3)	1.00 (25.4)	.88 (22.4)	06
10	17	2.67 (67.8)	3.81 (96.8)	1.81 (46.0)	2.19 (55.6)	1.38 (35.1)	1.19 (30.2)	08
11	19	2.67 (67.8)	3.81 (96.8)	1.43 (36.3)	1.63 (41.4)	.88 (22.4)	.75 (19.1)	05
12	19	2.67 (67.8)	3.81 (96.8)	1.62 (41.1)	1.94 (49.3)	1.00 (25.4)	.88 (22.4)	06
13	19	3.05 (77.5)	4.19 (106.4)	1.81 (46.0)	2.19 (55.6)	1.38 (35.1)	1.19 (30.2)	08
14	23	3.05 (77.5)	4.19 (106.4)	1.62 (41.1)	1.94 (49.3)	1.00 (25.4)	.88 (22.4)	06
15	23	3.05 (77.5)	4.19 (106.4)	1.81 (46.0)	2.19 (55.6)	1.38 (35.1)	1.19 (30.2)	08
16	23	3.05 (77.5)	4.19 (106.4)	2.18 (55.4)	2.44 (62.0)	1.63 (41.4)	1.44 (36.6)	10
17	25	3.05 (77.5)	4.19 (106.4)	1.62 (41.1)	1.94 (49.3)	1.00 (25.4)	.88 (22.4)	06
18	25	3.05 (77.5)	4.19 (106.4)	1.81 (46.0)	2.19 (55.6)	1.38 (35.1)	1.19 (30.2)	08
19	25	3.05 (77.5)	4.19 (106.4)	2.18 (55.4)	2.44 (62.0)	1.63 (41.4)	1.44 (36.6)	10
20	25	3.33 (84.6)	4.50 (114.3)	2.56 (65.0)	2.69 (68.3)	1.88 (47.8)	1.63 (41.4)	12
21	29	3.33 (84.6)	4.50 (114.3)	2.18 (55.4)	2.44 (62.0)	1.63 (41.4)	1.44 (36.6)	10
22	29	3.33 (84.6)	4.50 (114.3)	2.56 (65.0)	2.69 (68.3)	1.88 (47.8)	1.63 (41.4)	12
23	33	3.70 (94.0)	4.83 (122.7)	2.56 (65.0)	2.69 (68.3)	1.88 (47.8)	1.63 (41.4)	12
24	33	3.70 (94.0)	4.83 (122.7)	3.06 (77.7)	3.19 (81.0)	2.38 (60.5)	2.13 (54.1)	16
25	11	2.36 (59.9)	3.50 (88.9)	1.25 (31.8)	1.38 (35.1)	.75 (19.1)	.63 (16.0)	04

* Conduit Size of M28840/4 Conduit (Page 71-31)

TABLE II

Shell Size	A Thread Class 2B	C Dia Max
11	.750 - 20 UNEF	1.028 (26.1)
13	.875 - 20 UNEF	1.141 (29.0)
15	1.000 - 20 UNEF	1.263 (32.1)
17	1.125 - 18 UNEF	1.387 (35.2)
19	1.250 - 18 UNEF	1.513 (38.4)
23	1.438 - 18 UNEF	1.703 (43.3)
25	1.562 - 18 UNEF	1.825 (46.4)
29	1.875 - 16 UN	2.143 (54.4)
33	2.062 - 16 UNS	2.329 (59.2)