

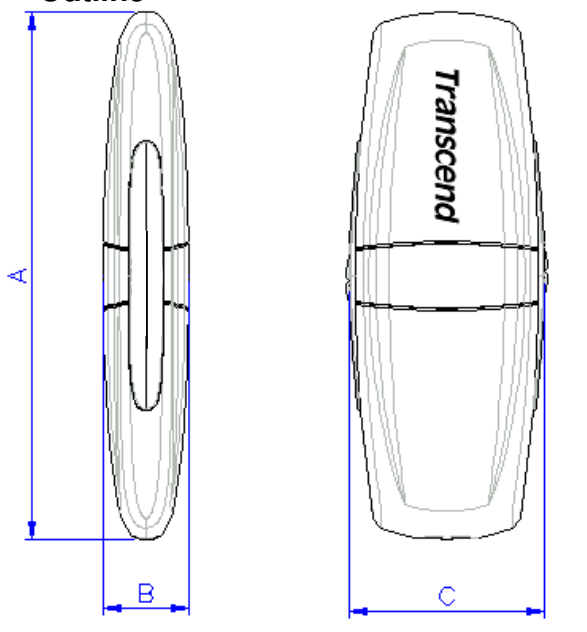
# TS8GJF2A

8GB USB2.0 JetFlash®

## Description

TS8GJF2A is a 8GB USB Flash drive with 4 pcs of 2Gx8 Flash Memory assembled on a printed circuit board.

## Outline



## Features

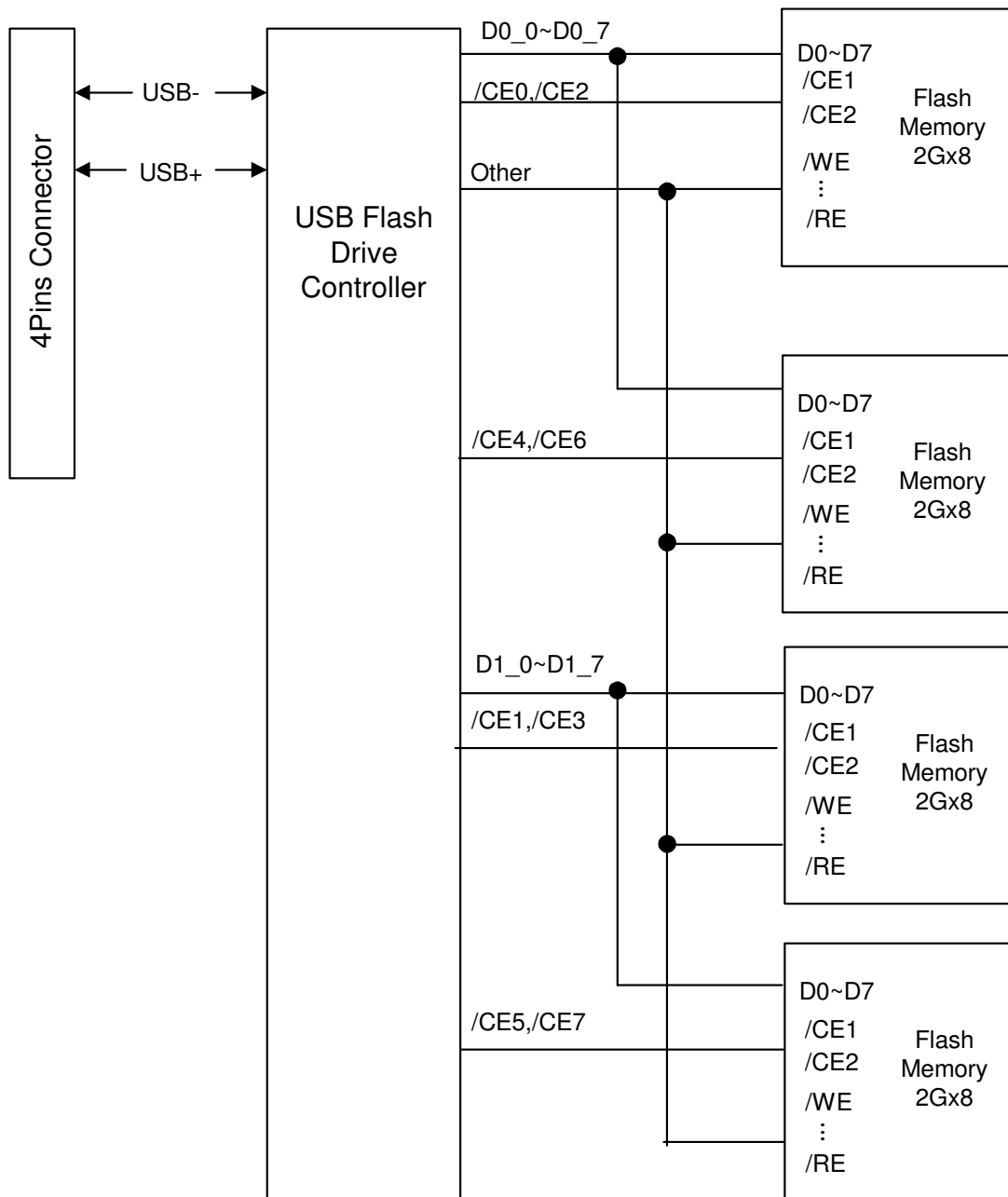
- Color: Silver
- USB Interface: Compliant with USB specification 2.0.
- No external power or battery needed
- LED indicates the usage status.
- JetFlash elite software pack includes (Windows 2000/XP/Vista/7 only):
  - Favorites Function: store all your favorite website addresses on the JetFlash®
  - AutoLogin Function: automatically login to websites where you have a password
  - Secret-Zip Function: compress and/or password protect saved files using AES 256bit encryption
  - PC-Lock Function: makes JetFlash® a key to lock your computer
  - E-Mail Function: use your JetFlash® to securely send, receive and save e-mails
  - DataBackup Function: backup, restore and synchronize your data

## Dimensions

Side	Millimeters	Inches
A	88 ± 1.00	3.47 ± 0.04
B	15 ± 1.00	0.59 ± 0.04
C	33 ± 1.00	1.30 ± 0.04

## Block Diagram

- With 4 pcs of 2Gx8 Flash Memory



## Pinouts

Pin No.	Pin Name
01	VCC
02	USB-
03	USB+
04	VSS

## Pin Identification

Symbol	Function
USB-	USB differential signal:
USB+	The pairs are used to transmit Data/Address/Command
VSS	Ground
VCC	USB power input

## Specifications

Storage Capacity	8GB
Data Retention	10 years
Erase Cycles	>100,000 times
Connector Durability	10,000 times
System Performance	Read: 30MB/sec (max.), Write: 25MB/sec (max.)
Power Supply	DC 5V±10%, Max current : 200 mA
Temperature Range	Operation: 0-70°C, Storage: -20°C-75°C
Certificates	CE, FCC, BSMI

Above technical information is based on industry standard data and tested to be reliable. However, Transcend makes no warranty, either expressed or implied, as to its accuracy and assumes no liability in connection with the use of this product. Transcend reserves the right to make changes in specifications at any time without prior notice.