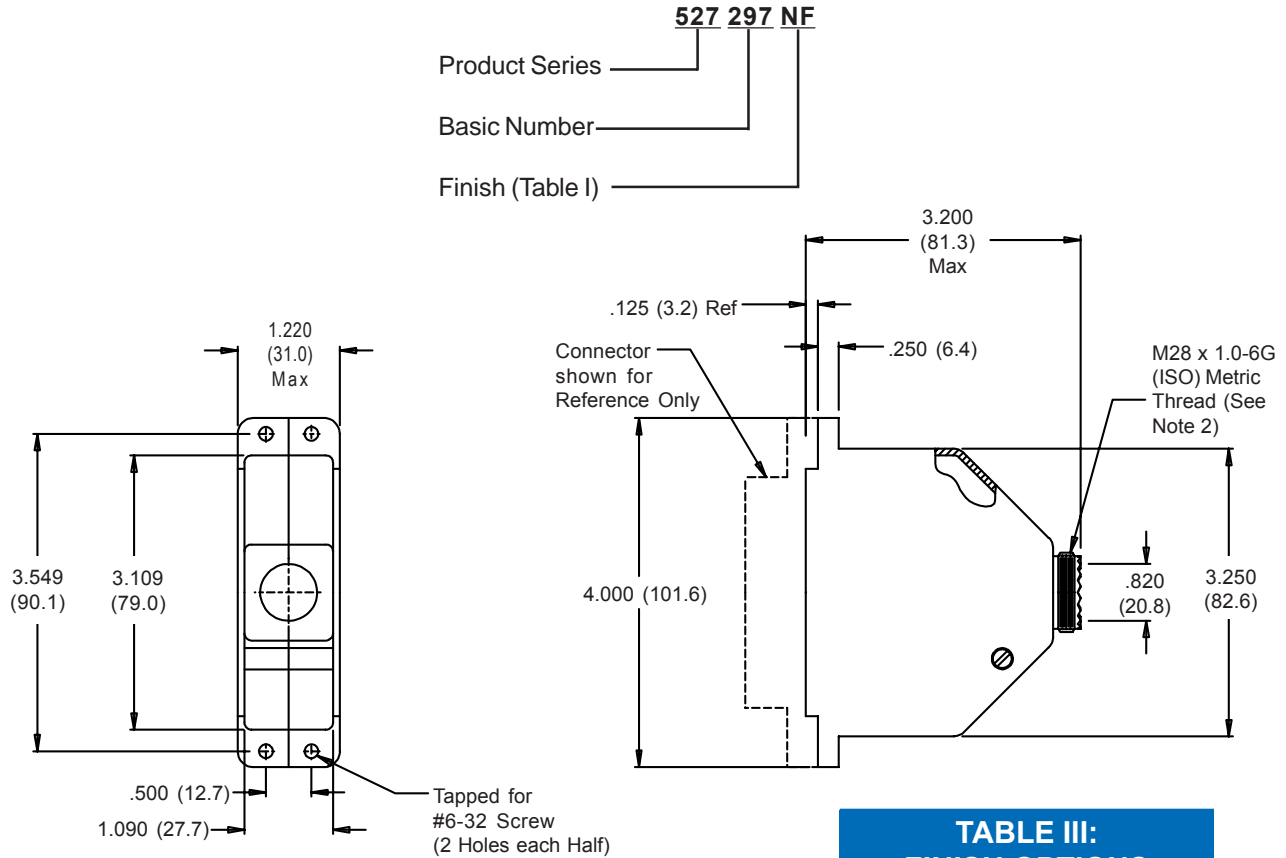


527-297
Split Backshell
 with Accessory Thread for Amphenol 126-20753, 2 & 5,
 126-20910, 126-20913, and 126-20914 Connectors



Miscellaneous
 Rectangular
 Backshells



**TABLE III:
 FINISH OPTIONS**

Symbol	Finish
B	Cadmium Plate/Olive Drab
C*	Black Anodize
G*	Anodic Hard Coat
J	Gold Iridite over Cadmium Plate over Electroless Nickel
LF	Cadmium Plate/Bright over Electroless Nickel
M	Electroless Nickel
N	Cadmium Plate/Olive Drab over Electroless Nickel
NC	Zinc Cobalt/Dark Olive Drab
NF	Cadmium Plate/Olive Drab over Electroless Nickel
T	Cadmium Plate/Bright over Electroless Nickel
U**	Cadmium Plate/Black
ZN	Zinc-Nickel Alloy/Olive Drab

*Anodize finish is not suitable for EMI shielding or grounding applications.
 **Applicable to corrosion resisting steel backshells and accessories. Consult factory for other available finishes.

- NOTES:**
 1. Metric dimensions (mm) are indicated in parentheses.
 2. Back end adapter interface conforms to MIL-C-38999 Series III & IV, Shell Size 19.