

1N5817W

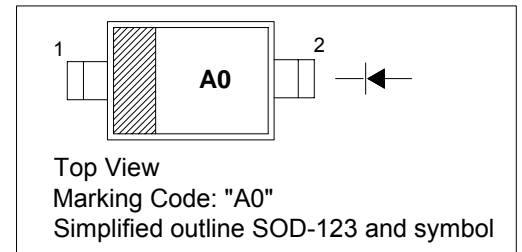
1.0A SURFACE MOUNT SCHOTTKY BARRIER DIODE

Features:

- Schottky Barrier Chip
- Guard Ring Die Construction for Transient Protection
- Low Power Loss, High Efficiency
- High Surge Capability
- High Current Capability and Low Forward Voltage Drop
- For Use in Low Voltage, High Frequency Inverters, Free Wheeling, and Polarity Protection Application.

PINNING

PIN	DESCRIPTION
1	Cathode
2	Anode



Mechanical Data:

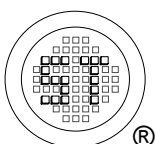
Case: SOD-123, Plastic

Terminals: Solderable per MIL-STD-202, Method 208

Polarity: Cathode Band

Absolute Maximum Ratings ($T_a = 25^\circ\text{C}$)

	Symbol	Value	Unit
Peak Repetitive Reverse Voltage	V_{RRM}	20	V
Working Peak Reverse Voltage at $I_R=1.0\text{mA}$	V_{RWM}	20	V
DC Blocking Voltage	V_R	20	V
RMS Reverse Voltage	$V_{R(RMS)}$	14	V
Average Rectified Output Current at $T_L=90^\circ\text{C}$	I_o	1.0	A
Power Dissipation	P_{tot}	450	mW
Non-Repetitive Peak Forward Surge Current 8.3ms single half sine-wave superimposed on rated load (JEDEC Method)	I_{FSM}	25	A
Typical Thermal Resistance Junction to Ambient	$R_{\theta JA}$	222	$^\circ\text{C/W}$
Operating Temperature Range	T_j	-65 to +125	$^\circ\text{C}$
Storage Temperature Range	T_s	-65 to +150	$^\circ\text{C}$



SEMTECH ELECTRONICS LTD.

(Subsidiary of Sino-Tech International Holdings Limited, a company listed on the Hong Kong Stock Exchange, Stock Code: 724)



ISO/TS 16949 : 2002 Certificate No. 05103
ISO 14001:2004 Certificate No. 71116
ISO 9001:2000 Certificate No. 0506098

Dated : 24/11/2004

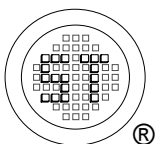
1N5817W

Characteristics at $T_{amb} = 25^{\circ}\text{C}$

		Symbol	Min.	Typ.	Max.	Unit
Forward Voltage (Note 1)	at $I_F = 0.1\text{A}$	V_{FM}	-	-	0.32	V
	at $I_F = 1.0\text{A}$	V_{FM}	-	-	0.45	V
	at $I_F = 3.0\text{A}$	V_{FM}	-	-	0.75	V
Reverse Breakdown Voltage	at $I_R = 1.0\text{mA}$	$V_{(BR)R}$	20	-	-	V
Reverse Leakage Current (Note 1)	at $V_R = 20\text{V}$	I_{RM}	-	-	1	mA
	at $V_R = 20\text{V}, T_A = 100^{\circ}\text{C}$		-	-	10	mA
	at $V_R = 2\text{V}$		-	10	50	μA
	at $V_R = 2\text{V}, T_A = 100^{\circ}\text{C}$		-	1	2	mA
	at $V_R = 3\text{V}$		-	15	75	μA
	at $V_R = 3\text{V}, T_A = 100^{\circ}\text{C}$		-	1.5	3	mA
Typical Junction Capacitance at $V_R = 2\text{V}, f = 1\text{MHz}$		C_J	-	110	-	pF

Notes:

1. Pulse Test: Pulse width $\leq 200 \mu\text{s}$, Duty Cycle $\leq 2\%$.



SEMTECH ELECTRONICS LTD.

(Subsidiary of Sino-Tech International Holdings Limited, a company listed on the Hong Kong Stock Exchange, Stock Code: 724)



ISO/TS 16949 : 2002
Certificate No. 05103



ISO 14001:2004
Certificate No. 7116



ISO 9001:2000
Certificate No. 0506098

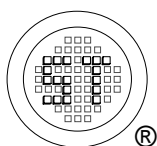
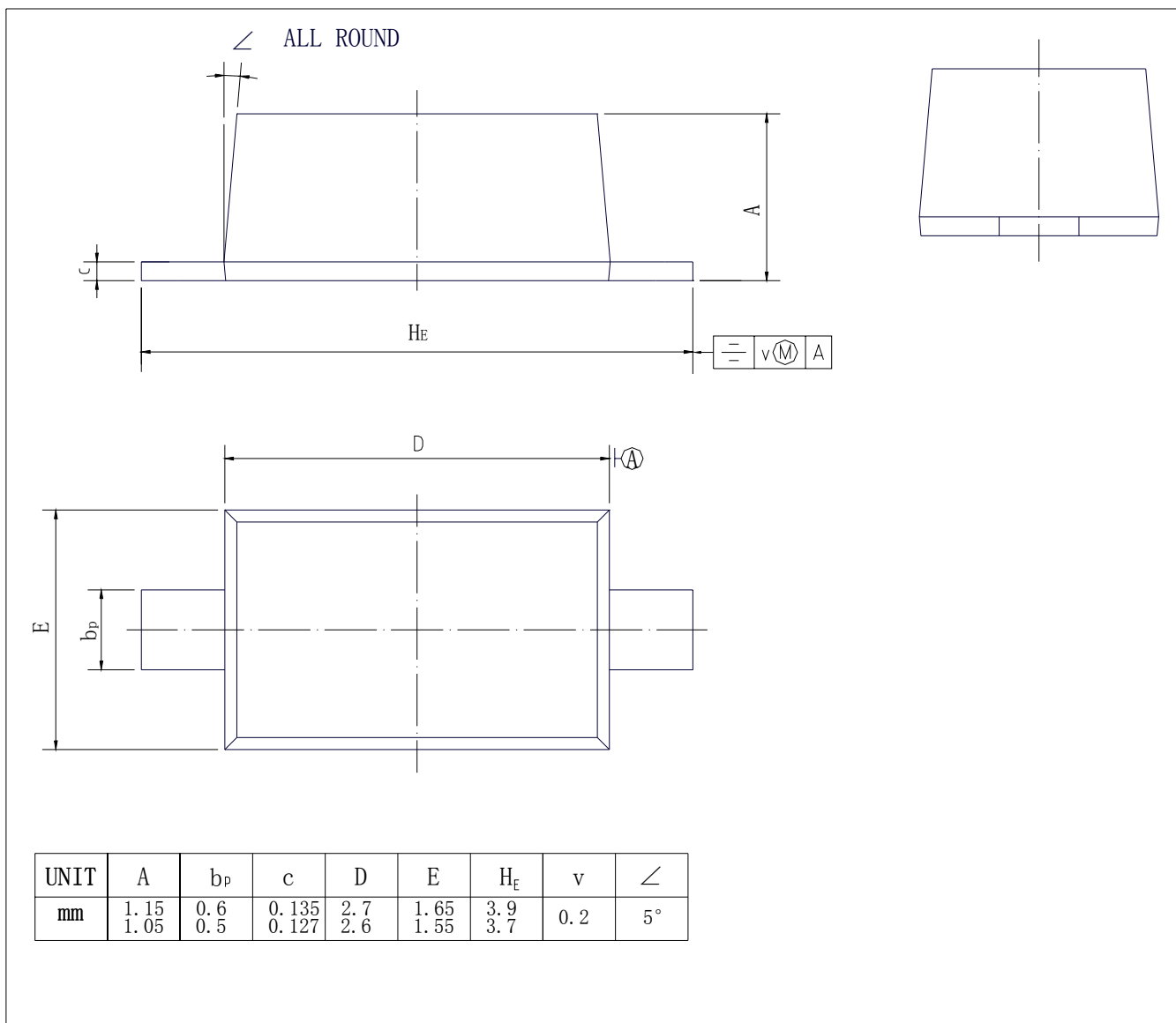
Dated : 24/11/2004

1N5817W

PACKAGE OUTLINE

Plastic surface mounted package; 2 leads

SOD-123



SEMTECH ELECTRONICS LTD.

(Subsidiary of Sino-Tech International Holdings Limited, a company listed on the Hong Kong Stock Exchange, Stock Code: 724)



ISO/TS 16949 : 2002
Certificate No. 05103



ISO 14001:2004
Certificate No. 71116



ISO 9001:2000
Certificate No. 0506098

Dated : 24/11/2004