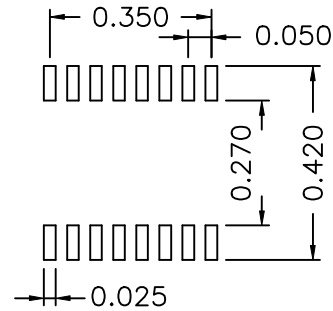
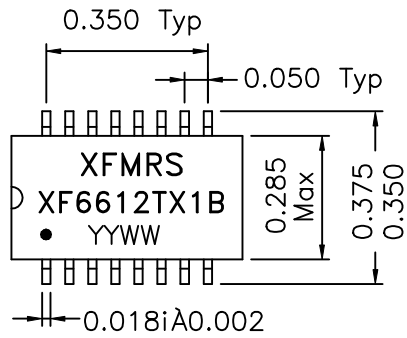
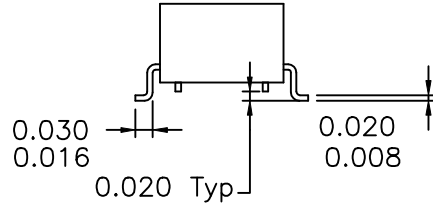
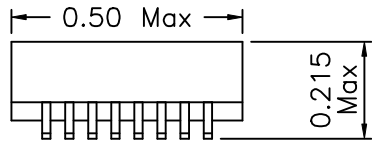
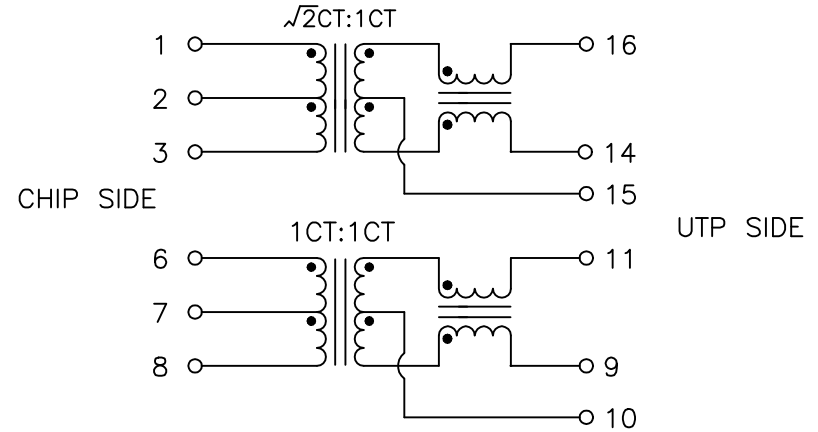


### 1. Dimensions:



SUGGESTED FOOTPRINT

### 2. Schematic:



### 3. Electrical Specifications: @25°C

Turns Ratio: TX 1.41CT:1CT (±2%)    RX 1CT:1CT (±2%)  
 Isolation Voltage: 1500 Vrms (Input to Output)  
 UTP Side OCL: 350uH Minimum @100KHz, 100mV 8mADC  
 Insertion Loss (0.3–100MHz): 1.0dB Maximum  
 Return Loss (dB Typ): 30MHz    60MHz    80MHz  
   -16        -12        -10  
 Crosstalk (dB Max): 32MHz    62MHz    100MHz  
   -40        -35        -35

<b>XFMRS Inc.</b> UNLESS OTHERWISE SPECIFIED TOLERANCES: .xxx ±0.010 Inch Dimensions in Inch/mm	Title: 10/100BASE-TX MAGNETICS	
	P/N: XF6612TX1B	REV. A
	DWN. 廖玉坤	Jan-19-00
	CHK. 李清儿	Jan-19-00
SCALE 2:1 SHT 1 OF 1	APP. Joe Huff	Jan-19-00

DOC. REV: A/1