



LIGITEK

LIGITEK ELECTRONICS CO.,LTD.
Property of Ligitek Only

LED SMD



Lead-Free Parts

LG-192DBK-CT/T-SD

DATA SHEET

DOC. NO : QW0905-LG-192DBK-CT/T-SD

REV. : B

DATE : 19 - Nov - 2008





Features:

- 1. Package in 8.0mm carrier tape on 7" diameter reel.
- 2. Compatible with automatic placement equipment.
- 3. Compatible with reflow solder process.

Descriptions:

- 1. The LG-192 SMD Taping is much smaller than lead frame type components, thus enable smaller board size, higher packing density, reduced storage space and finally smaller equipment to be obtained.
- 2. Besides, lightweight makes them ideal for miniature applications. etc.

Applications:

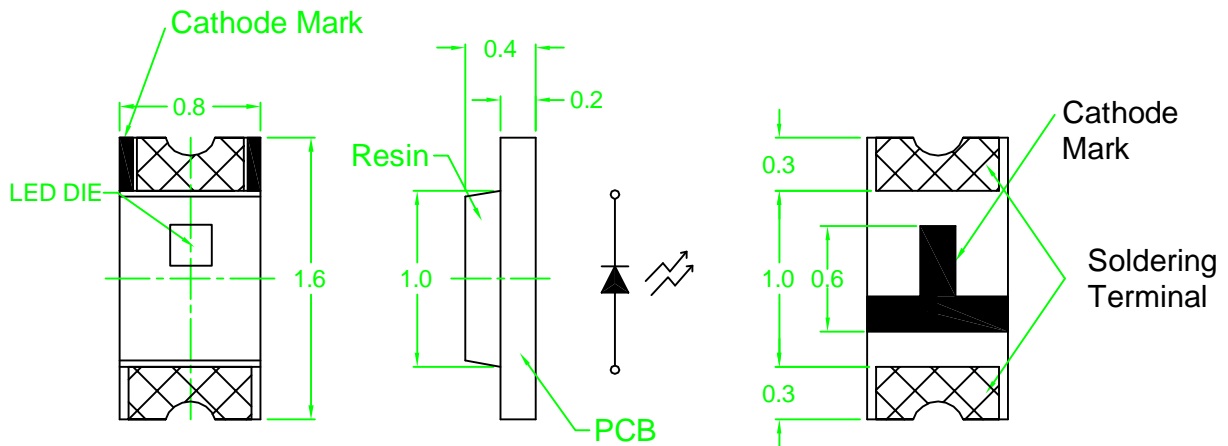
- 1. Automotive : backlighting in dashboard and switch.
- 2. Telecommunication : indicator and backlighting in telephone and fax.
- 3. Flat backlight for LCD, switch and symbol
- 4. General use.

Device Selection Guide:

PART NO	MATERIAL	COLOR	
		Emitted	Lens
LG-192DBK-CT/T-SD	InGaN/GaN	Blue	Water Clear

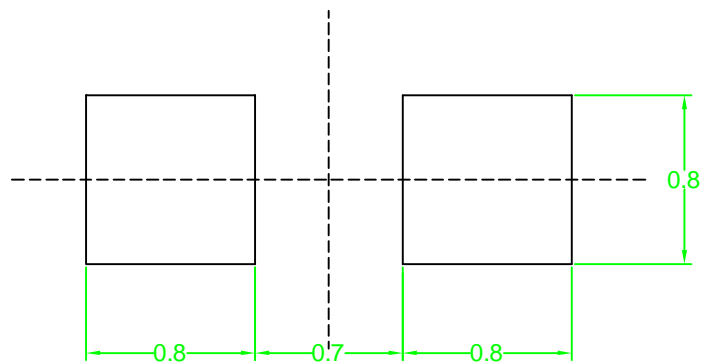


Package Dimensions



Note : 1.All dimension are in millimeter tolerance is ± 0.1 mm unless otherwise noted.
2.Specifications are subject to change without notice.

Recommended Soldering Pad Dimensions



Note : The tolerances unless mentioned is ± 0.1 mm, Angle ± 0.5 . Unit=mm.

**Absolute Maximum Ratings at Ta=25**

Parameter	Symbol	Ratings	UNIT
Power Dissipation	PD	80	mW
Peak Forward Current Duty 1/10@10KHz	IFP	100	mA
Forward Current	IF	20	mA
Reverse Current @5V	Ir	50	μ A
Electrostatic Discharge	ESD	150	V
Operating Temperature	Topr	-40 ~ +85	
Storage Temperature	Tstg	-40 ~ +90	
Soldering Temperature	Tsol	Max 260 for 5 sec Max	

Typical Electrical & Optical Characteristics (Ta=25)

Items	Symbol	Min.	Typ.	Max.	UNIT	CONDITION
Luminous Intensity	Iv	16	24	----	mcd	IF=5mA
Peak Wavelength	P	----	465	----	nm	IF=20mA
Dominant Wavelength	D	467	----	475	nm	IF=5mA
Spectral Line Half-Width		----	30	----	nm	IF=20mA
Forward Voltage	V _F	----	2.9	----	V	IF=5mA
Viewing Angle	2 1/2	----	120	----	deg	IF=20mA

- Note : 1.The forward voltage data did not including $\pm 0.1V$ testing tolerance.
 2. The luminous intensity data did not including $\pm 15\%$ testing tolerance.



Brightness Code For Visible SMD

Group	(mcd) at 20mA	
	MIN	MAX
L2	16	20
M1	20	24
M2	24	29
N1	29	35

Color Code For Visible SMD

Group	(nm) at 20mA	
	MIN	MAX
467~469	467	469
469~471	469	471
471~473	471	473
473~475	473	475



Typical Electro-Optical Characteristics Curve

DBK CHIP

Fig.1 Forward current vs. Forward Voltage

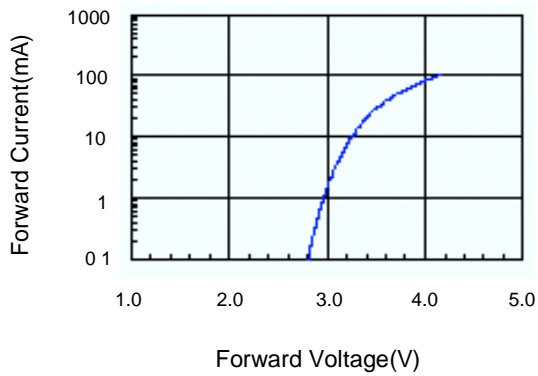


Fig.2 Relative Intensity vs. Forward Current

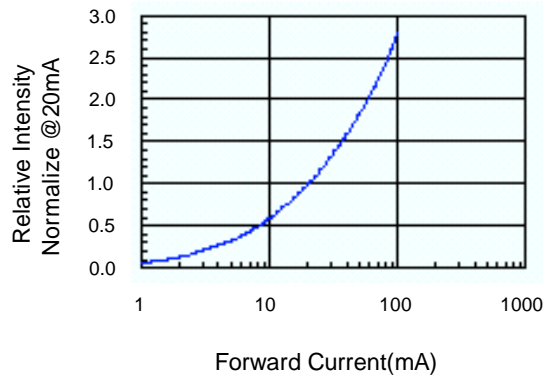


Fig.3 Forward Voltage vs. Temperature

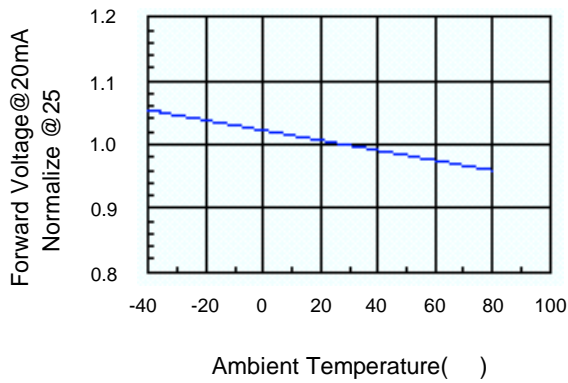


Fig.4 Relative Intensity vs. Temperature

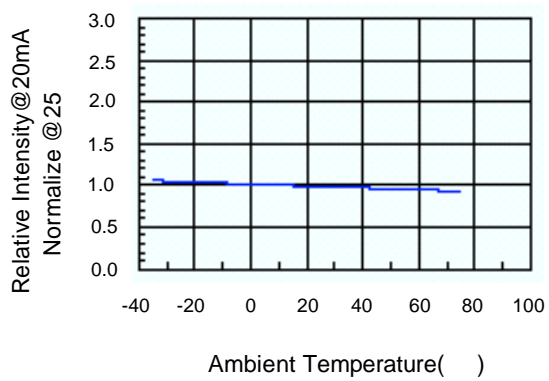


Fig.5 Relative Intensity vs. Wavelength

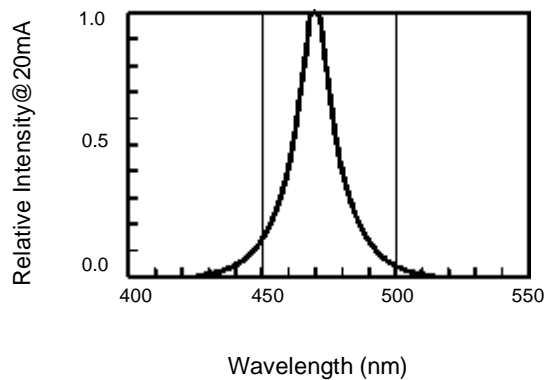
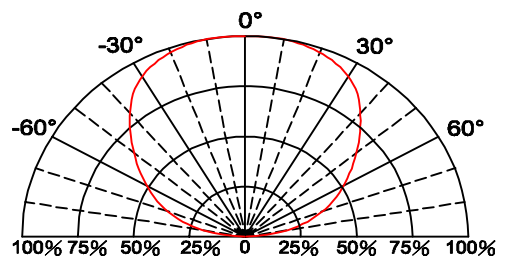
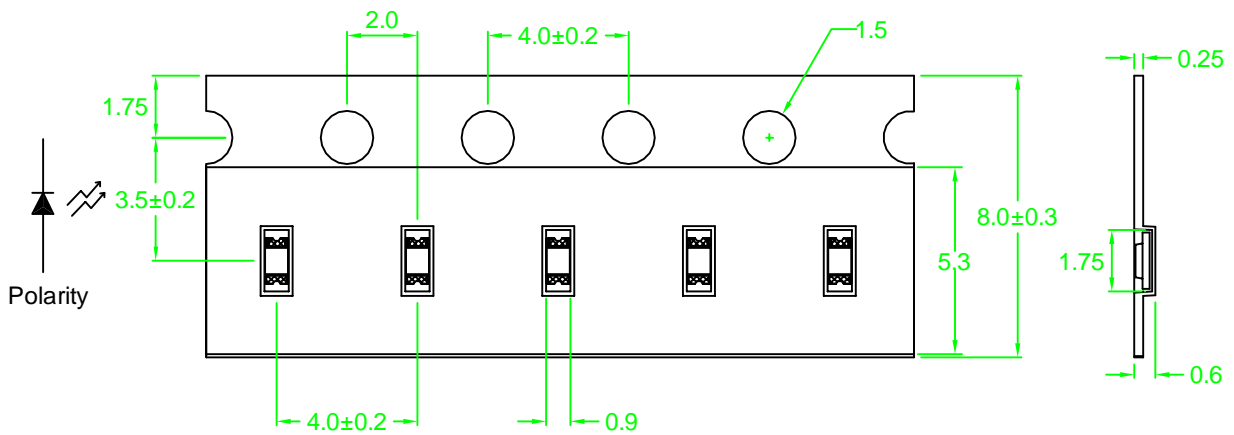
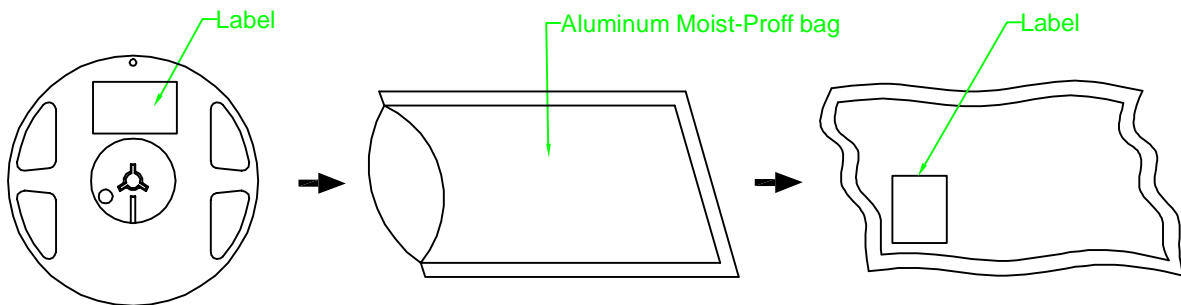


Fig.6 Directive Radiation




Carrier Type Dimensions

 Note : The tolerances unless mentioned is $\pm 0.1\text{mm}$, Angle ± 0.5 . Unit=mm.

Packing Specifications


Part No.	Description	Quantity/Reel
LG-192DBK-CT/T-SD	8.0mm tape,7"reel	4000 devices

Label Explanation

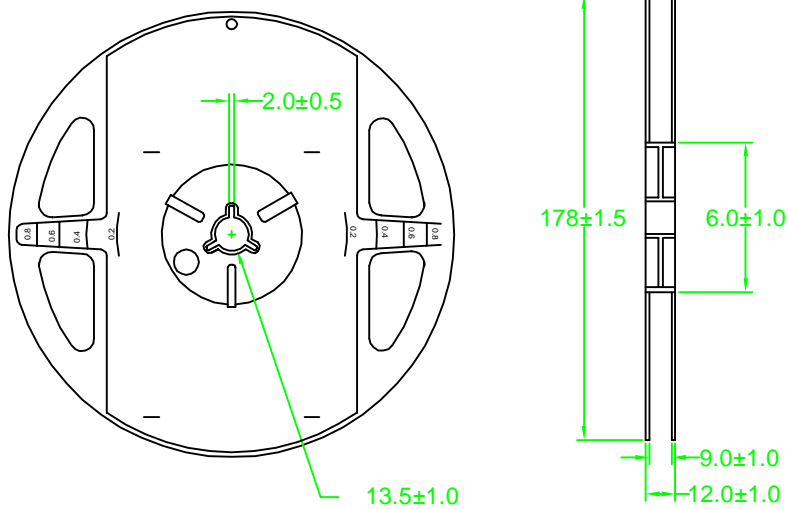
 立碁電子工業股份有限公司 LIGITEK ELECTRONICS CO.,LTD.	
PART NO. : LG-192DBK-CT/T-SD	
LOT NO. : 92000358	
Q'TY(PCS) : 4000 PCS	
BIN/HUE : L2/467-479	2.8 - 2.9

BIN : Luminous Intensity

HUE : Dominant Wavelength

2.8 - 2.9 : Forward Voltage

Reel Dimensions

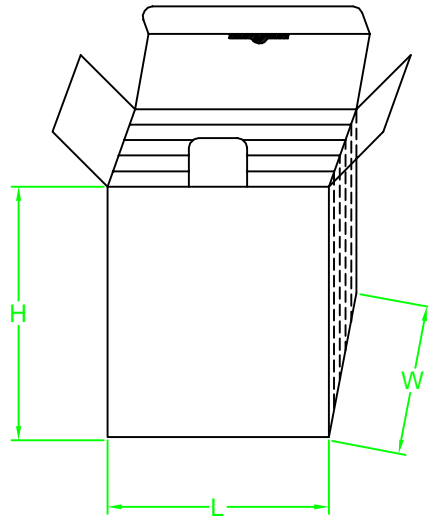




Box Explanation

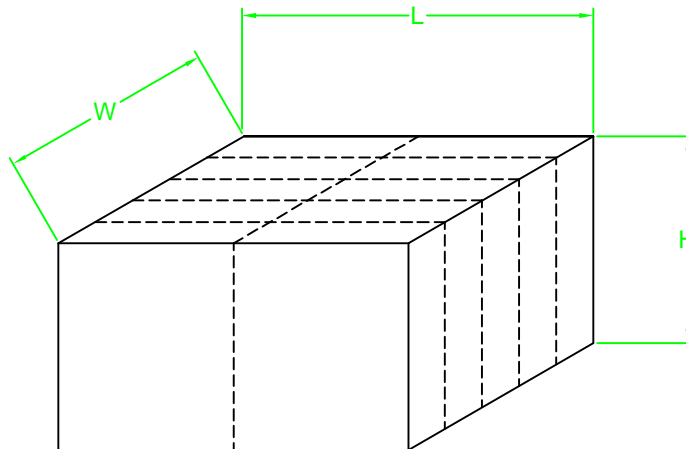
1. 5 BAG / INNER BOX

2. INNER BOX SIZE : L X W X H 23cm X 8.5cm x 26cm



3. 10 INNER BOXES / CARTON

4. CARTON SIZE : L X W X H 49cm X 46cm x 29cm





LIGITEK

LIGITEK ELECTRONICS CO.,LTD.
Property of Ligitek Only

PART NO. LG-192DBK-CT/T-SD

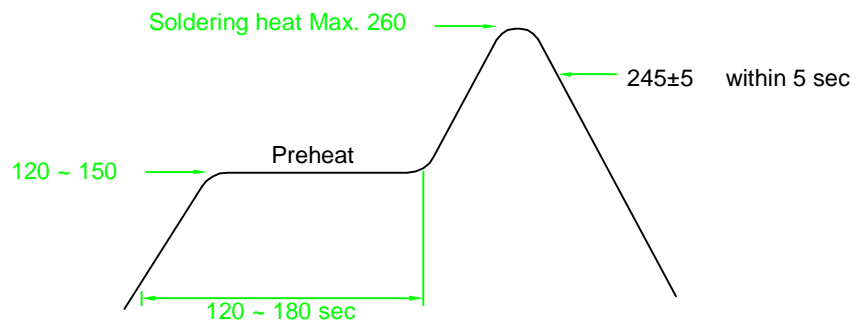
Page 9/11

Recommended Soldering Conditions

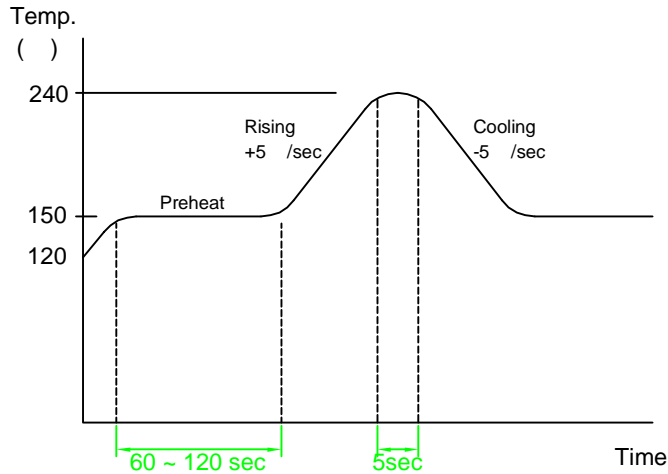
1. Hand Solder

Basic spec is 280 3 sec one time only.

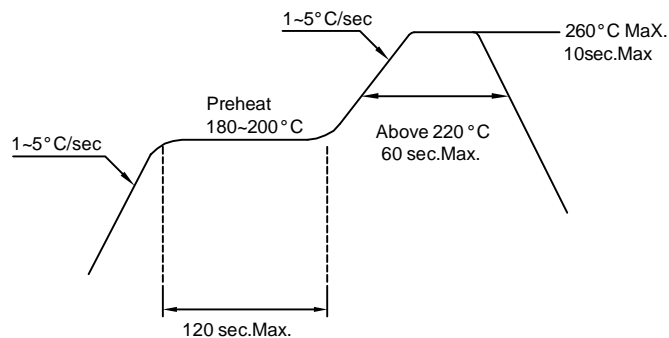
2. Wave Solder



3-1. LEAD Reflow Solder



3-2 PB-Free Reflow Solder



Reflow Soldering should not be done more than two times.



Precautions For Use:

Storage time:

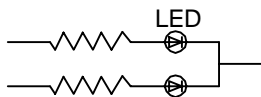
- 1.The operation of Temperatures and RH are : 5 ~35 ,RH60%.
- 2.Once the package is opened, the products should be used within a week.
Otherwise, they should be kept in a damp proof box with descanting agent.
Considering the tape life, we suggest our customers to use our products within a year(from production date).
- 3.If opened more than one week in an atmosphere 5 ~ 35 ,RH60% , they should be treated at 60 ±5 fo r 15hrs.

Drive Method:

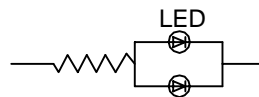
LED is a current operated device, and therefore, requirer some kind of current limiting incorporated into the driver circuit. This current limiting typically takes the form of a current limiting resistor placed in series with the LED.

Consider worst case voltage variations than could occur across the current limiting resistor. The forwr d current should not be allowed to change by more than 40 % of its desired value.

Circuit model A



Circuit model B



(A) Recommended circuit.

(B) The difference of brightness between LED could be found due to the VF-IF characteristics of LED.

Cleaning:

Use alcohol-based cleaning solvents such as isopropyl alcohol to clean the LED.

ESD(Electrostatic Discharge):

Static Electricity or power surge will damage the LED. Use of a conductive wrist band or anti-electrosatic glove is recommended when handing these LED. All devices, equipment and machinery must be properly grounded.



Reliability Test:

Classification	Test Item	Test Condition	Reference Standard
Endurance Test	Operating Life Test	1.Ta=Under Room Temperature As Per Data Sheet Maximum Rating. 2.If=20mA 3.t=1000 hrs (-24hrs, +72hrs)	MIL-STD-750D: 1026 MIL-STD-883D: 1005 JIS C 7021: B-1
	High Temperature Storage Test	1.Ta=105 ±5 2.t=1000 hrs (-24hrs, +72hrs)	MIL-STD-883D:1008 JIS C 7021: B-10
	Low Temperature Storage Test	1.Ta=-40 ±5 2.t=1000 hrs (-24hrs, +72hrs)	JIS C 7021: B-12
	High Temperature High Humidity Storage Test	1.Ta=65 ±5 2.RH=90%~95% 3.t=1000hrs±2hrs	MIL-STD-202F:103B JIS C 7021: B-11
Environmental Test	Thermal Shock Test	1.Ta=105 ±5 & -40 ±5 (10min) (10min) 2.total 10 cycles	MIL-STD-202F: 107D MIL-STD-750D: 1051 MIL-STD-883D: 1011
	Solderability Test	1.T.Sol=235 ±5 2.Immersion time 2 ±0.5sec 3.Coverage 95% of the dipped surface	MIL-STD-202F: 208D MIL-STD-750D: 2026 MIL-STD-883D: 2003 IEC 68 Part 2-20 JIS C 7021: A-2
	Temperature Cycling	1.105 ~ 25 ~ -55 ~ 25 30mins 5mins 30mins 5mins 2.10 Cyeles	MIL-STD-202F: 107D MIL-STD-750D: 1051 MIL-STD-883D: 1010 JIS C 7021: A-4
	IR Reflow	1.T=260°C Max. 10sec.Max. 2. 6 Min	MIL-STD-750D:2031.2 J-STD-020
	Solder Resistance	1.T.Sol=260 ±5 2.Dwell Time=10 ± 1secs	MIL-STD-202F: 107D(1980) MIL-STD-750D: 2031(1995) JIS C 7021: A-1(1982)