

# RJ-45 Filter Port Jacks 10/100Base-TX

## EPJ9250-F2

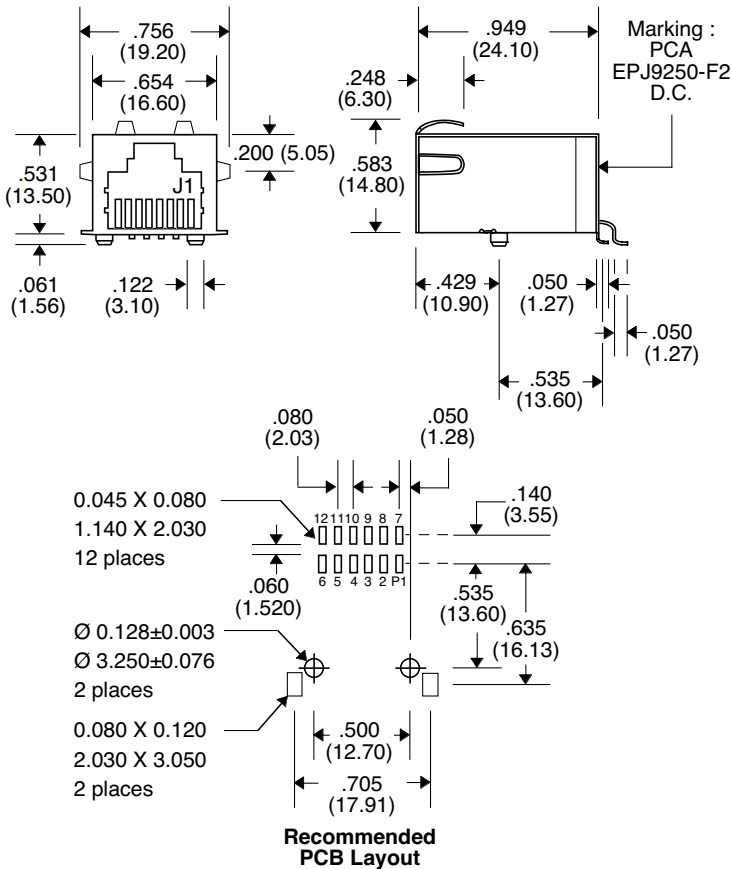


- Space Saving RJ-45 Connectors •
- Recommended for Cirrus CS8952 PHY & other Leading 10/100 Transceiver IC's
- UL94V-0 Rated High Temp. Thermoplastic Housing •
- 1500 Vrms Isolation •
- Surface Mount Package •

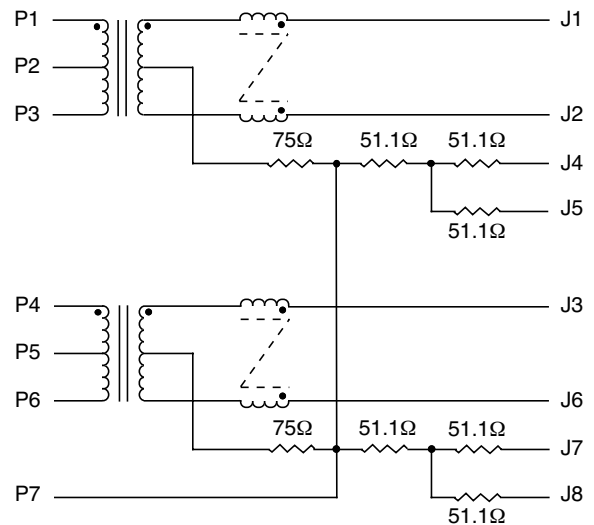
### Electrical Parameters @ 25° C

Insertion Loss (dB Max.)	Return Loss (dB Min.)				CMRR (dB Typ.)	Crosstalk (dB Min.)
	0.1-100 MHz	0.5-30 MHz	@ 40 MHz	@ 50 MHz		
-1.1	-18	-15.5	-13.6	-12	-40	-40

### Package



### Schematic



Unless Otherwise Specified Dimensions are in Inches /mm ± .010 / .25