

Silicon Power Transistors

2SD1025

DESCRIPTION

- DARLINGTON
- With TO-220 package

PINNING

PIN	DESCRIPTION
1	Base
2	Collector;connected to mounting base
3	Emitter

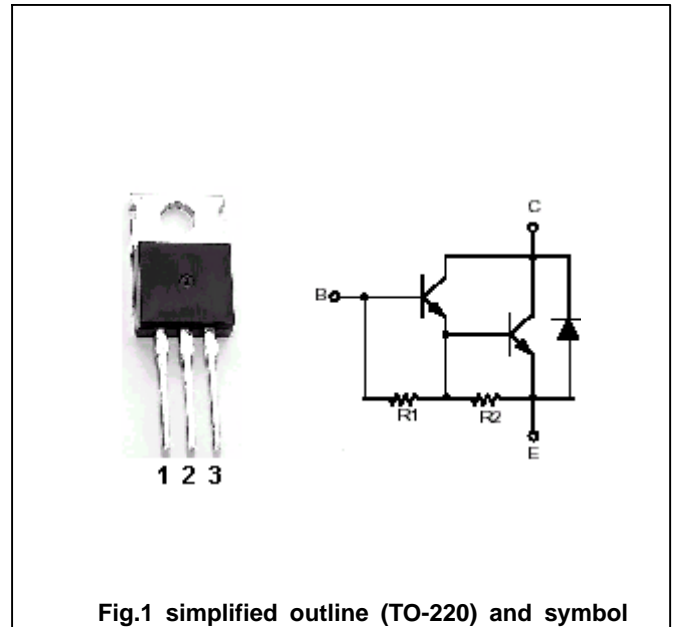


Fig.1 simplified outline (TO-220) and symbol

Absolute maximum ratings(Ta=25)

SYMBOL	PARAMETER	CONDITIONS	VALUE	UNIT
V _{CB0}	Collector-base voltage	Open emitter	200	V
V _{CEO}	Collector-emitter voltage	Open base	200	V
V _{EBO}	Emitter-base voltage	Open collector	7	V
I _C	Collector current		8	A
I _{CM}	Collector current-Peak		12	A
I _B	Base current		0.5	A
I _{BM}	Base current-Peak		1.0	A
P _T	Total power dissipation	T _C =25	50	W
T _j	Junction temperature		150	
T _{stg}	Storage temperature		-55~150	

THERMAL CHARACTERISTICS

SYMBOL	PARAMETER	VALUE	UNIT
R _{JC}	Thermal resistance junction to case	2.5	/W

Silicon Power Transistors

2SD1025

CHARACTERISTICS

T_j=25 unless otherwise specified

SYMBOL	PARAMETER	CONDITIONS	MIN	TYP.	MAX	UNIT
V _{CE0(SUS)}	Collector-emitter sustaining voltage	I _C =0.1A ; I _B =0	200			V
V _{CEsat}	Collector-emitter saturation voltage	I _C =5A ; I _B =10mA			1.5	V
V _{BEsat}	Base-emitter saturation voltage	I _C =5A ; I _B =10mA			2.0	V
I _{CBO}	Collector cut-off current	V _{CB} =200V ; I _E =0			0.1	mA
I _{CEO}	Collector cut-off current	V _{CE} =200V ; I _B =0			0.1	mA
I _{EBO}	Emitter cut-off current	V _{EB} =7V ; I _C =0			5.0	mA
h _{FE-1}	DC current gain	I _C =5A ; V _{CE} =3V	1500		30000	
f _T	Transition frequency	I _C =0.8A ; V _{CE} =10V		20		MHz

Switching times

t _{on}	Turn-on time	I _C =5A I _{B1} =- I _{B2} =10mA R _L =5 ; V _{BB2} =4V			2.0	μs
t _s	Storage time				8.0	μs
t _f	Fall time				5.0	μs

Silicon Power Transistors

2SD1025

PACKAGE OUTLINE

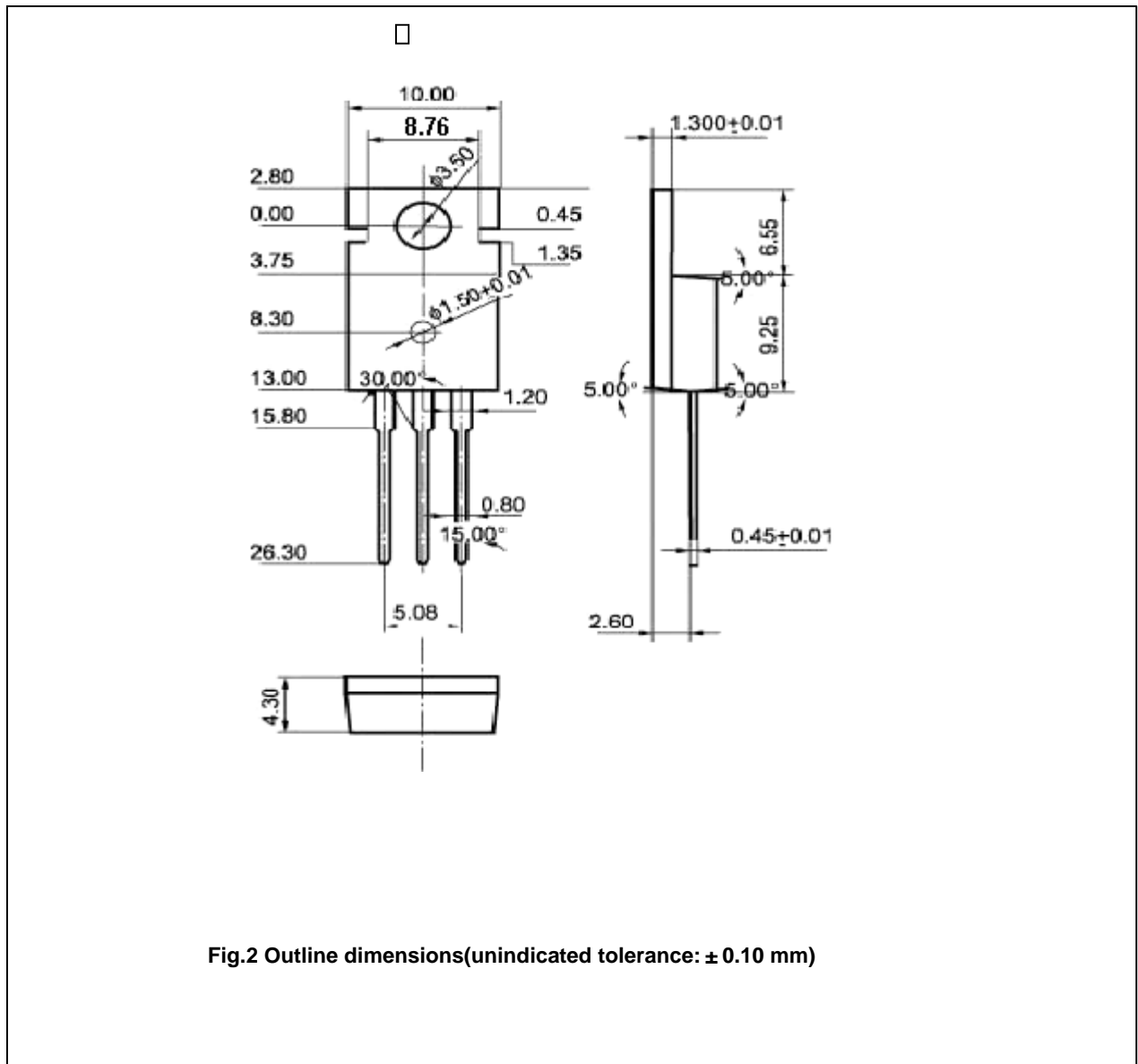


Fig.2 Outline dimensions(unindicated tolerance: ± 0.10 mm)