



512Mb DDR SDRAM
HY5DU12422C(L)FP
HY5DU12822C(L)FP
HY5DU121622C(L)FP

Revision History

| Revision No. | History | Draft Date | Remark |
|--------------|---|------------|--------|
| 1.0 | First Version Release | Mar. 2005 | |
| 1.1 | IDD specification revised | July 2005 | |
| 1.2 | IDD6 specification revised | Feb. 2006 | |
| 1.3 | State Diagram modified | Apr. 2006 | |
| 1.4 | Added CL2 & CL2.5 values to the DDR400B in the AC CHARACTERISTICS | June 2006 | |
| 1.5 | Editorial change on IDD5 Test condition | July 2006 | |

DESCRIPTION

The HY5DU12422C(L)FP, HY5DU12822C(L)FP and HY5DU121622C(L)FP are a 536,870,912-bit CMOS Double Data Rate(DDR) Synchronous DRAM, ideally suited for the main memory applications which requires large memory density and high bandwidth.

This Hynix 512Mb DDR SDRAMs offer fully synchronous operations referenced to both rising and falling edges of the clock. While all addresses and control inputs are latched on the rising edges of the CK (falling edges of the /CK), Data, Data strobes and Write data masks inputs are sampled on both rising and falling edges of it. The data paths are internally pipelined and 2-bit prefetched to achieve very high bandwidth. All input and output voltage levels are compatible with SSTL_2.

FEATURES

- VDD, VDDQ = 2.5V ± 0.2V for DDR200, 266, 333
VDD, VDDQ = 2.6V ± 0.1V for DDR400
- All inputs and outputs are compatible with SSTL_2 interface
- Fully differential clock inputs (CK, /CK) operation
- Double data rate interface
- Source synchronous - data transaction aligned to bidirectional data strobe (DQS)
- x16 device has two byte-wide data strobes (UDQS, LDQS) per each x8 I/O
- Data outputs on DQS edges when read (edged DQ)
Data inputs on DQS centers when write (centered DQ)
- On chip DLL align DQ and DQS transition with CK transition
- DM mask write data-in at the both rising and falling edges of the data strobe
- All addresses and control inputs except data, data strobes and data masks latched on the rising edges of the clock
- Programmable CAS latency 2/2.5 (DDR200, 266, 333) and 3 (DDR400) supported
- Programmable burst length 2/4/8 with both sequential and interleave mode
- Internal four bank operations with single pulsed /RAS
- Auto refresh and self refresh supported
- tRAS lock out function supported
- 8192 refresh cycles / 64ms
- 60 Ball FBGA Package Type
- Full and Half strength driver option controlled by EMRS
- Lead free (ROHS* Compliant)

ORDERING INFORMATION

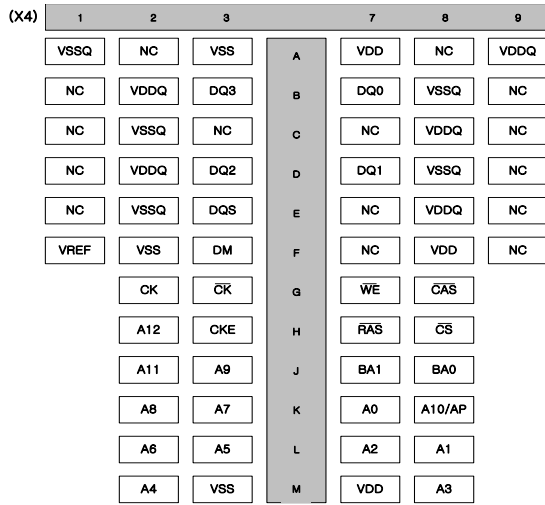
| Part No. | Configuration | Package |
|----------------------|---------------|-------------------------------|
| HY5DU12422C(L)FP-X* | 128M x 4 | 60ball FBGA (Lead free) |
| HY5DU12822C(L)FP-X* | 64M x 8 | |
| HY5DU121622C(L)FP-X* | 32M x 16 | |

*X means speed grade

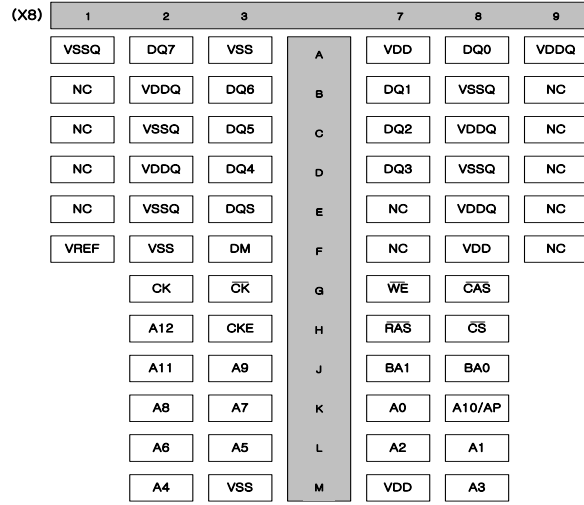
*ROHS (Restriction Of Hazardous Substance)

OPERATING FREQUENCY

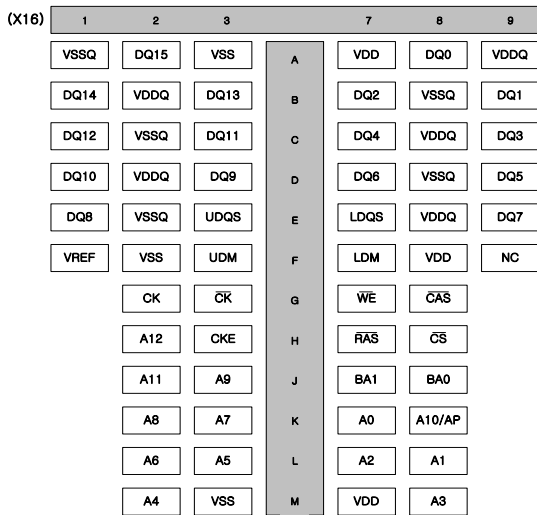
| Grade | Clock Rate | | Remark (CL-tRCD-tRP) |
|-------|------------|--------------|-------------------------|
| -D43 | 200MHz@CL3 | | DDR400B (3-3-3) |
| - J | 133MHz@CL2 | 166MHz@CL2.5 | DDR333 (2.5-3-3) |
| - K | 133MHz@CL2 | 133MHz@CL2.5 | DDR266A (2-3-3) |
| - H | 100MHz@CL2 | 133MHz@CL2.5 | DDR266B (2.5-3-3) |
| - L | 100MHz@CL2 | | DDR200 (2-2-2) |



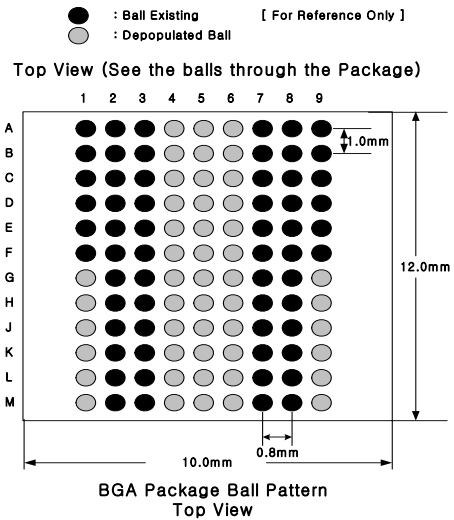
x4 Device Ball Pattern



x8 Device Ball Pattern



x16 Device Ball Pattern



ROW AND COLUMN ADDRESS TABLE

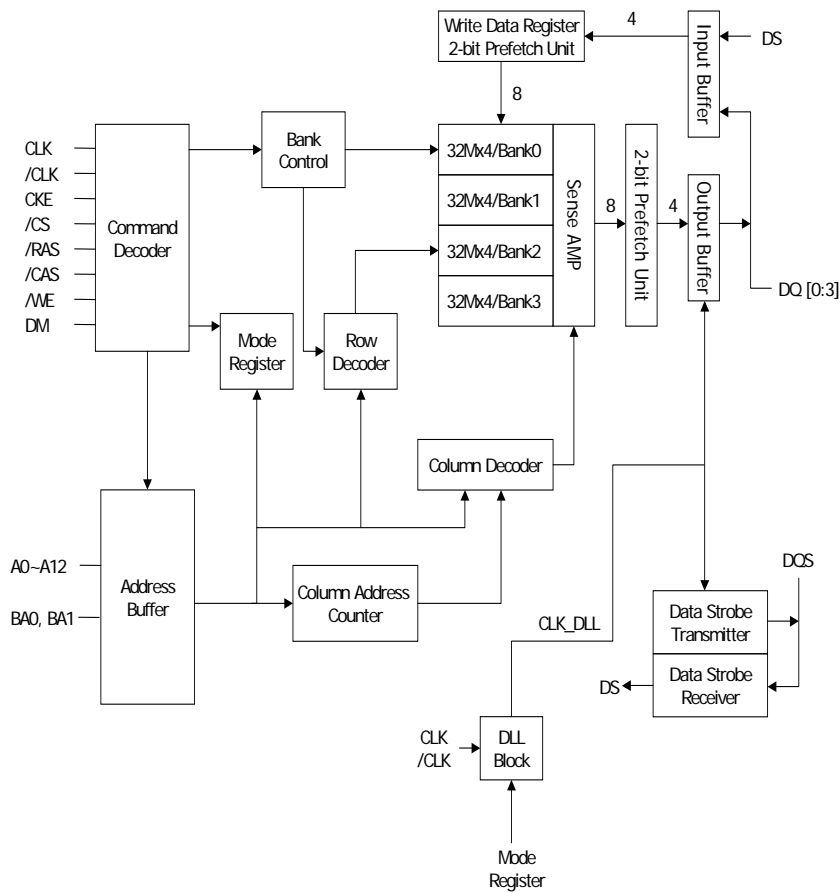
| ITEMS | 128Mx4 | 64Mx8 | 32Mx16 |
|---------------------|------------------|------------------|------------------|
| Organization | 32M x 4 x 4banks | 16M x 8 x 4banks | 8M x 16 x 4banks |
| Row Address | A0 - A12 | A0 - A12 | A0 - A12 |
| Column Address | A0-A9, A11, A12 | A0-A9, A11 | A0-A9 |
| Bank Address | BA0, BA1 | BA0, BA1 | BA0, BA1 |
| Auto Precharge Flag | A10 | A10 | A10 |
| Refresh | 8K | 8K | 8K |

PIN DESCRIPTION

| PIN | TYPE | DESCRIPTION |
|--------------------|--------|--|
| CK, /CK | Input | Clock: CK and /CK are differential clock inputs. All address and control input signals are sampled on the crossing of the positive edge of CK and negative edge of /CK. Output (read) data is referenced to the crossings of CK and /CK (both directions of crossing). |
| CKE | Input | Clock Enable: CKE HIGH activates, and CKE LOW deactivates internal clock signals, and device input buffers and output drivers. Taking CKE LOW provides PRECHARGE POWER DOWN and SELF REFRESH operation (all banks idle), or ACTIVE POWER DOWN (row ACTIVE in any bank). CKE is synchronous for POWER DOWN entry and exit, and for SELF REFRESH entry. CKE is asynchronous for SELF REFRESH exit, and for output disable. CKE must be maintained high throughout READ and WRITE accesses. Input buffers, excluding CK, /CK and CKE are disabled during POWER DOWN. Input buffers, excluding CKE are disabled during SELF REFRESH. CKE is an SSTL_2 input, but will detect an LVCMOS LOW level after VDD is applied. |
| /CS | Input | Chip Select: Enables or disables all inputs except CK, /CK, CKE, DQS and DM. All commands are masked when CS is registered high. CS provides for external bank selection on systems with multiple banks. CS is considered part of the command code. |
| BA0, BA1 | Input | Bank Address Inputs: BA0 and BA1 define to which bank an ACTIVE, Read, Write or PRECHARGE command is being applied. |
| A0 ~ A12 | Input | Address Inputs: Provide the row address for ACTIVE commands, and the column address and AUTO PRECHARGE bit for READ/WRITE commands, to select one location out of the memory array in the respective bank. A10 is sampled during a Precharge command to determine whether the PRECHARGE applies to one bank (A10 LOW) or all banks (A10 HIGH). If only one bank is to be precharged, the bank is selected by BA0, BA1. The address inputs also provide the op code during a MODE REGISTER SET command. BA0 and BA1 define which mode register is loaded during the MODE REGISTER SET command (MRS or EMRS). |
| /RAS, /CAS, /WE | Input | Command Inputs: /RAS, /CAS and /WE (along with /CS) define the command being entered. |
| DM (LDM,UDM) | Input | Input Data Mask: DM is an input mask signal for write data. Input data is masked when DM is sampled HIGH along with that input data during a WRITE access. DM is sampled on both edges of DQS. Although DM pins are input only, the DM loading matches the DQ and DQS loading. For the x16, LDM corresponds to the data on DQ0-Q7; UDM corresponds to the data on DQ8-Q15. |
| DQS (LDQS,UDQS) | I/O | Data Strobe: Output with read data, input with write data. Edge aligned with read data, centered in write data. Used to capture write data. For the x16, LDQS corresponds to the data on DQ0-Q7; UDQS corresponds to the data on DQ8-Q15. |
| DQ | I/O | Data input / output pin: Data bus |
| VDD/VSS | Supply | Power supply for internal circuits and input buffers. |
| VDDQ/VSSQ | Supply | Power supply for output buffers for noise immunity. |
| VREF | Supply | Reference voltage for inputs for SSTL interface. |
| NC | NC | No connection. |

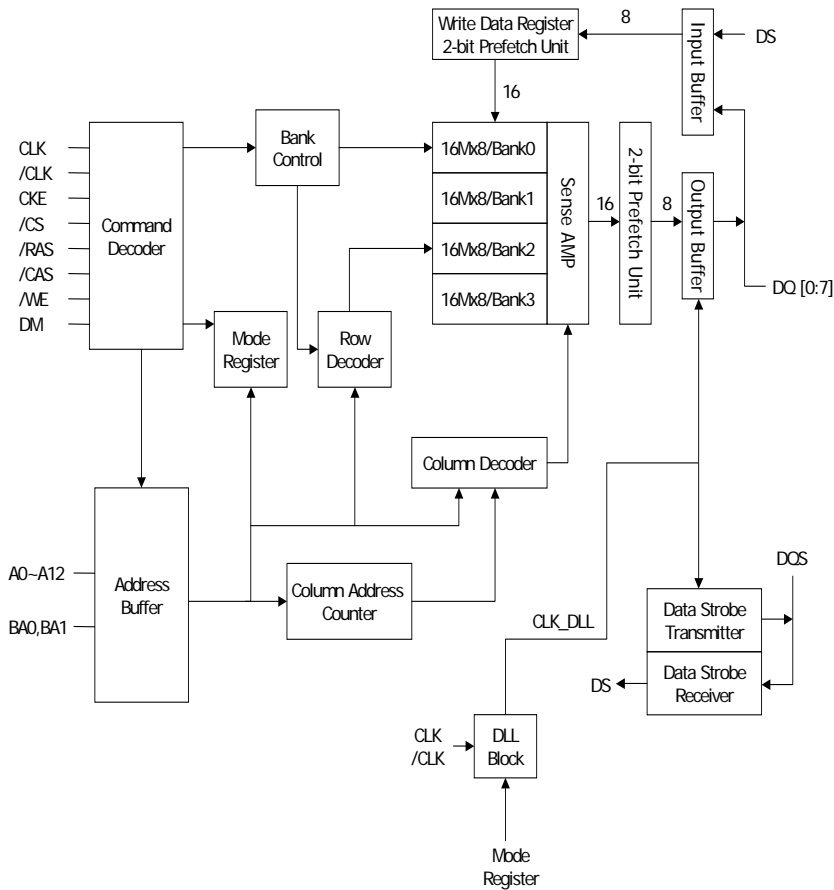
FUNCTIONAL BLOCK DIAGRAM (128Mx4)

4Banks x 32Mbit x 4 I/O Double Data Rate Synchronous DRAM



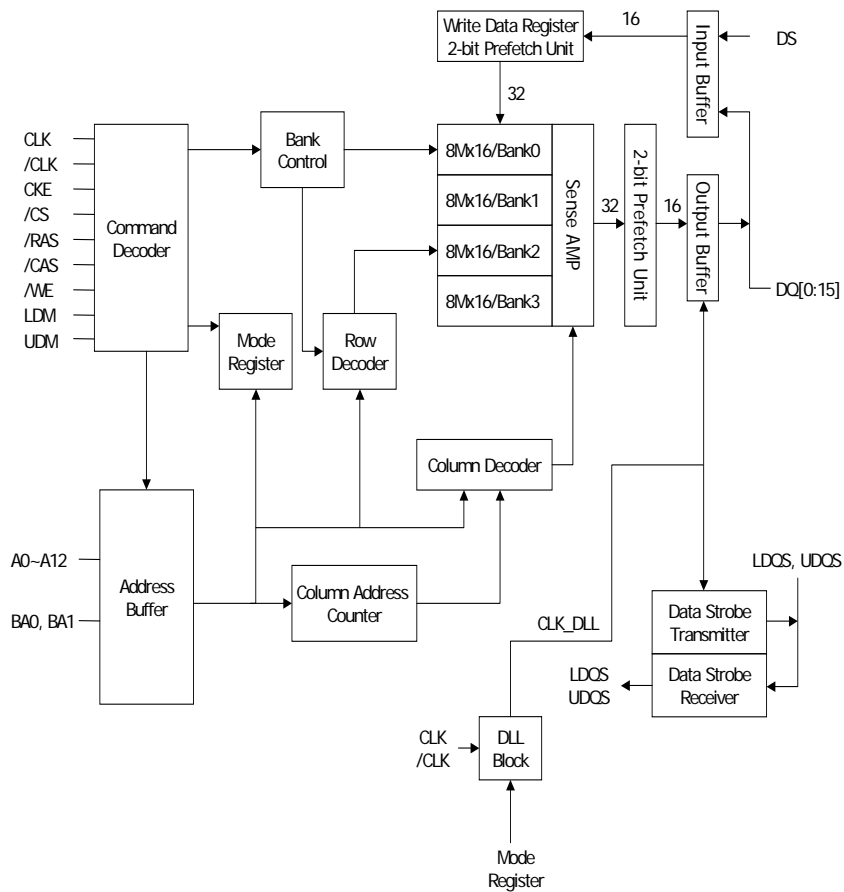
FUNCTIONAL BLOCK DIAGRAM (64Mx8)

4Banks x 16Mbit x 8 I/O Double Data Rate Synchronous DRAM



FUNCTIONAL BLOCK DIAGRAM (32Mx16)

4Banks x 8Mbit x 16 I/O Double Data Rate Synchronous DRAM



SIMPLIFIED COMMAND TRUTH TABLE

| Command | CKEn-1 | CKEn | /CS | /RAS | /CAS | /WE | ADDR | A10/AP | BA |
|---|--------|------|-----|------|------|-----|---------|--------|----|
| Extended Mode Register Set ^{1,2} | H | X | L | L | L | L | OP code | | |
| Mode Register Set ^{1,2} | H | X | L | L | L | L | OP code | | |
| Device Deselect ¹ | H | X | H | X | X | X | X | | |
| No Operation ¹ | | | L | H | H | H | | | |
| Bank Active ¹ | H | X | L | L | H | H | RA | | V |
| Read ¹ | H | X | L | H | L | H | CA | L | V |
| Read with Autoprecharge ^{1,3} | | | | | | | | H | |
| Write ¹ | H | X | L | H | L | L | CA | L | V |
| Write with Autoprecharge ^{1,4} | | | | | | | | H | |
| Precharge All Banks ^{1,5} | H | X | L | L | H | L | X | H | X |
| Precharge selected Bank ¹ | | | | | | | | L | V |
| Read Burst Stop ¹ | H | X | L | H | H | L | X | | |
| Auto Refresh ¹ | H | H | L | L | L | H | X | | |
| Self Refresh ¹ | Entry | H | L | L | L | L | H | X | |
| | Exit | L | H | L | H | H | H | | |
| Precharge Power Down Mode ¹ | Entry | H | L | H | X | X | X | X | |
| | | | | L | H | H | H | | |
| Active Power Down Mode ¹ | Exit | L | H | H | X | X | X | X | |
| | | | | L | V | V | V | | |
| | | | | | | | | | X |

(H=Logic High Level, L=Logic Low Level, X=Don't Care, V=Valid Data Input, OP Code=Operand Code, NOP=No Operation)

Note:

- LDM/UDM states are Don't Care. Refer to below Write Mask Truth Table.
- OP Code(Operand Code) consists of A0~A12 and BA0~BA1 used for Mode Register setting during Extended MRS or MRS. Before entering Mode Register Set mode, all banks must be in a precharge state and MRS command can be issued after tRP period from Precharge command.
- If a Read with Autoprecharge command is detected by memory component in CK(n), then there will be no command presented to activated bank until CK(n+BL/2+tRP).
- If a Write with Autoprecharge command is detected by memory component in CK(n), then there will be no command presented to activated bank until CK(n+BL/2+1+tWR+tRP). Write Recovery Time(tWR) is needed to guarantee that the last data has been completely written.
- If A10/AP is High when Precharge command being issued, BA0/BA1 are ignored and all banks are selected to be precharged.

*For more information about Truth Table, refer to "Device Operation" section in Hynix website.

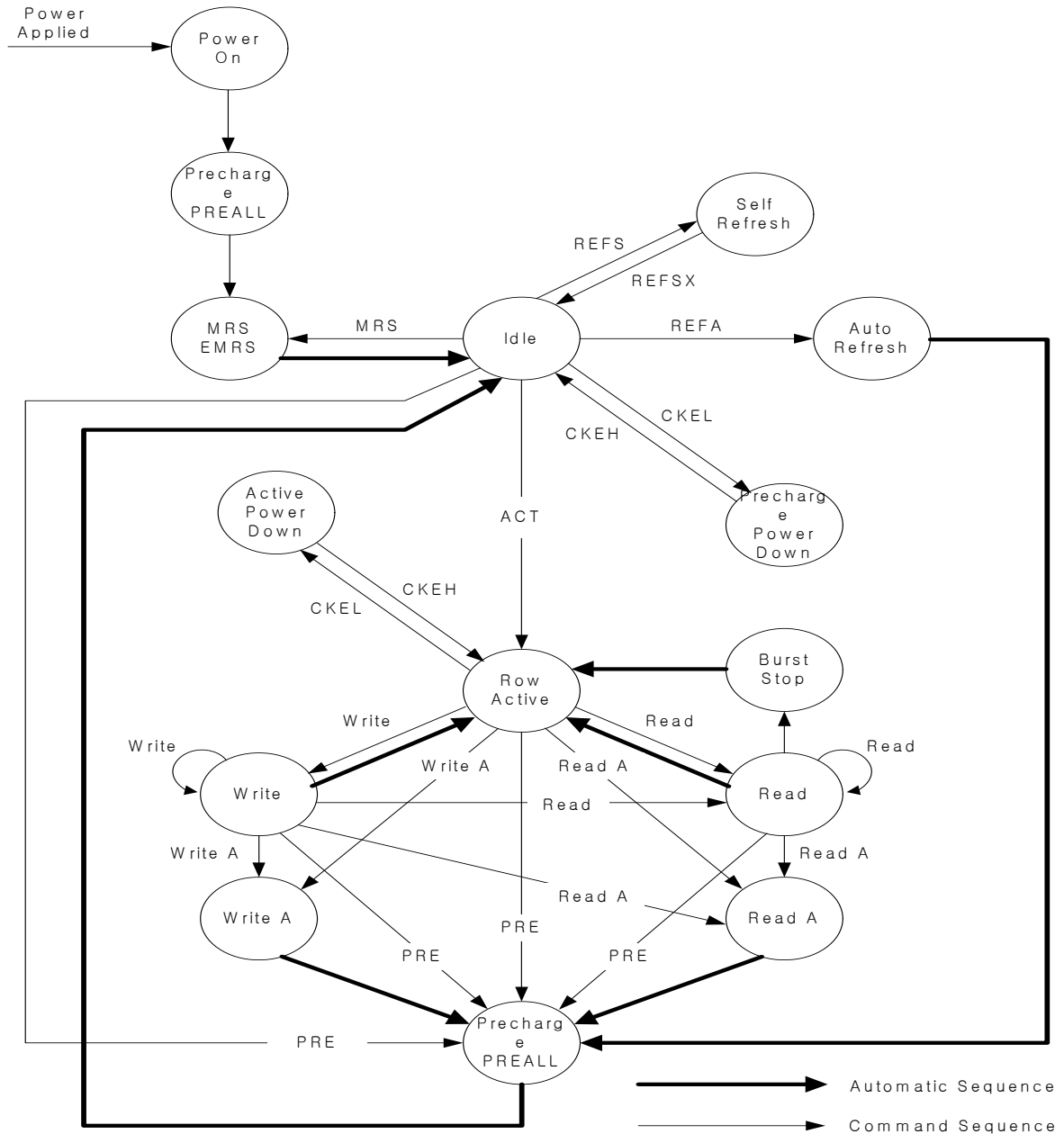
WRITE MASK TRUTH TABLE

| Function | CKEn-1 | CKEn | /CS, /RAS, /CAS, /WE | DM | ADDR | A10/AP | BA |
|---------------------------|--------|------|-------------------------|----|------|--------|----|
| Data Write ¹ | H | X | X | L | | X | |
| Data-In Mask ¹ | H | X | X | H | | X | |

Note:

1. Write Mask command masks burst write data with reference to LDQS/UDQS(Data Strokes) and it is not related with read data. In case of x16 data I/O, LDM and UDM control lower byte(DQ0~7) and Upper byte(DQ8~15) respectively.

SIMPLIFIED STATE DIAGRAM



PREALL = Precharge All Banks
 MRS = Mode Register Set
 EMRS = Extended Mode Register Set
 REFS = Enter Self Refresh
 REFSX = Exit Self Refresh
 REFA = Auto Refresh

CKEL = Enter Power Down
 CKEH = Exit Power Down
 ACT = Active
 Write A = Write with Autoprecharge
 Read A = Read with Autoprecharge
 PRE = Precharge

POWER-UP SEQUENCE AND DEVICE INITIALIZATION

DDR SDRAMs must be powered up and initialized in a predefined manner. Operational procedures other than those specified may result in undefined operation. Power must first be applied to VDD, then to VDDQ, and finally to VREF (and to the system VTT). VTT must be applied after VDDQ to avoid device latch-up, which may cause permanent damage to the device. VREF can be applied anytime after VDDQ, but is expected to be nominally coincident with VTT. Except for CKE, inputs are not recognized as valid until after VREF is applied. CKE is an SSTL_2 input, but will detect an LVCMOS LOW level after VDD is applied. Maintaining an LVCMOS LOW level on CKE during power-up is required to guarantee that the DQ and DQS outputs will be in the High-Z state, where they will remain until driven in normal operation (by a read access). After all power supply and reference voltages are stable, and the clock is stable, the DDR SDRAM requires a 200us delay prior to applying an executable command.

Once the 200us delay has been satisfied, a DESELECT or NOP command should be applied, and CKE should be brought HIGH. Following the NOP command, a PRECHARGE ALL command should be applied. Next a EXTENDED MODE REGISTER SET command should be issued for the Extended Mode Register, to enable the DLL, then a MODE REGISTER SET command should be issued for the Mode Register, to reset the DLL, and to program the operating parameters. After the DLL reset, tXSRD(DLL locking time) should be satisfied for read command. After the Mode Register set command, a PRECHARGE ALL command should be applied, placing the device in the all banks idle state.

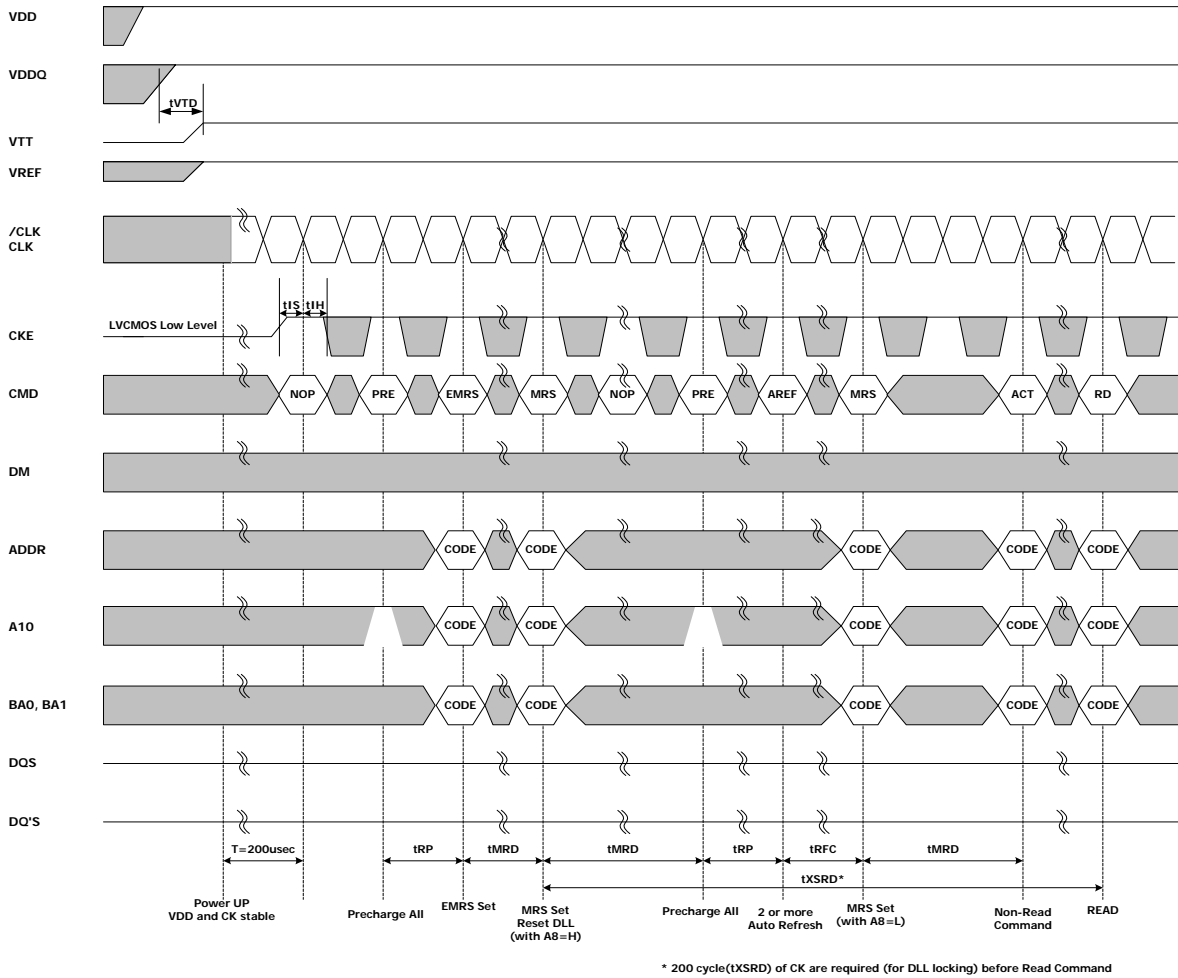
Once in the idle state, two AUTO REFRESH cycles must be performed. Additionally, a MODE REGISTER SET command for the Mode Register, with the reset DLL bit deactivated low (i.e. to program operating parameters without resetting the DLL) must be performed. Following these cycles, the DDR SDRAM is ready for normal operation.

1. Apply power - VDD, VDDQ, VTT, VREF in the following power up sequencing and attempt to maintain CKE at LVCMOS low state. (All the other input pins may be undefined.)
 - VDD and VDDQ are driven from a single power converter output.
 - VTT is limited to $1.44V$ (reflecting $VDDQ(max)/2 + 50mV$ VREF variation + $40mV$ VTT variation).
 - VREF tracks $VDDQ/2$.
 - A minimum resistance of 42 Ohms (22 ohm series resistor + 22 ohm parallel resistor - 5% tolerance) limits the input current from the VTT supply into any pin.
 - If the above criteria cannot be met by the system design, then the following sequencing and voltage relationship must be adhered to during power up.

| Voltage description | Sequencing | Voltage relationship to avoid latch-up |
|---------------------|--------------------|--|
| VDDQ | After or with VDD | $< VDD + 0.3V$ |
| VTT | After or with VDDQ | $< VDDQ + 0.3V$ |
| VREF | After or with VDDQ | $< VDDQ + 0.3V$ |

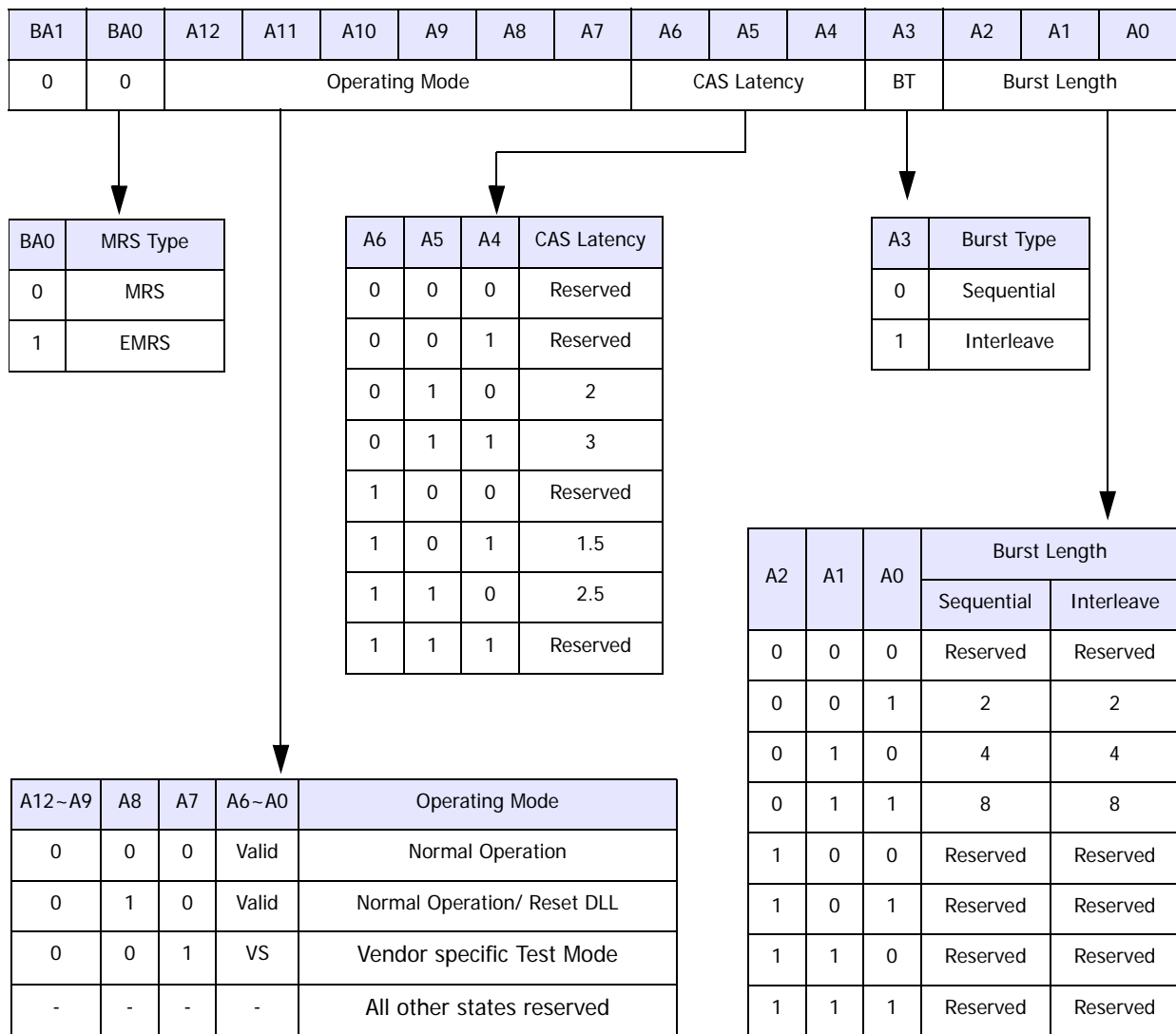
2. Start clock and maintain stable clock for a minimum of 200usec.
3. After stable power and clock, apply NOP condition and take CKE high.
4. Issue Extended Mode Register Set (EMRS) to enable DLL.
5. Issue Mode Register Set (MRS) to reset DLL and set device to idle state with bit A8=high. (An additional 200 cycles(tXSRD) of clock are required for locking DLL)
6. Issue Precharge commands for all banks of the device.
7. Issue 2 or more Auto Refresh commands.
8. Issue a Mode Register Set command to initialize the mode register with bit A8 = Low

Power-Up Sequence



MODE REGISTER SET (MRS)

The mode register is used to store the various operating modes such as /CAS latency, addressing mode, burst length, burst type, test mode, DLL reset. The mode register is programmed via MRS command. This command is issued by the low signals of /RAS, /CAS, /CS, /WE and BA0. This command can be issued only when all banks are in idle state and CKE must be high at least one cycle before the Mode Register Set Command can be issued. Two cycles are required to write the data in mode register. During the MRS cycle, any command cannot be issued. Once mode register field is determined, the information will be held until reset by another MRS command.



BURST DEFINITION

| Burst Length | Starting Address (A2,A1,A0) | Sequential | Interleave |
|--------------|-----------------------------|------------------------|------------------------|
| 2 | XX0 | 0, 1 | 0, 1 |
| | XX1 | 1, 0 | 1, 0 |
| 4 | X00 | 0, 1, 2, 3 | 0, 1, 2, 3 |
| | X01 | 1, 2, 3, 0 | 1, 0, 3, 2 |
| | X10 | 2, 3, 0, 1 | 2, 3, 0, 1 |
| | X11 | 3, 0, 1, 2 | 3, 2, 1, 0 |
| 8 | 000 | 0, 1, 2, 3, 4, 5, 6, 7 | 0, 1, 2, 3, 4, 5, 6, 7 |
| | 001 | 1, 2, 3, 4, 5, 6, 7, 0 | 1, 0, 3, 2, 5, 4, 7, 6 |
| | 010 | 2, 3, 4, 5, 6, 7, 0, 1 | 2, 3, 0, 1, 6, 7, 4, 5 |
| | 011 | 3, 4, 5, 6, 7, 0, 1, 2 | 3, 2, 1, 0, 7, 6, 5, 4 |
| | 100 | 4, 5, 6, 7, 0, 1, 2, 3 | 4, 5, 6, 7, 0, 1, 2, 3 |
| | 101 | 5, 6, 7, 0, 1, 2, 3, 4 | 5, 4, 7, 6, 1, 0, 3, 2 |
| | 110 | 6, 7, 0, 1, 2, 3, 4, 5 | 6, 7, 4, 5, 2, 3, 0, 1 |
| | 111 | 7, 0, 1, 2, 3, 4, 5, 6 | 7, 6, 5, 4, 3, 2, 1, 0 |

BURST LENGTH & TYPE

Read and write accesses to the DDR SDRAM are burst oriented, with the burst length being programmable. The burst length determines the maximum number of column locations that can be accessed for a given Read or Write command. Burst lengths of 2, 4 or 8 locations are available for both the sequential and the interleaved burst types. Reserved states should not be used, as unknown operation or incompatibility with future versions may result.

When a Read or Write command is issued, a block of columns equal to the burst length is effectively selected. All accesses for that burst take place within this block, meaning that the burst wraps within the block if a boundary is reached. The block is uniquely selected by A1-Ai when the burst length is set to two, by A2 -Ai when the burst length is set to four and by A3 -Ai when the burst length is set to eight (where Ai is the most significant column address bit for a given configuration). The remaining (least significant) address bit(s) is (are) used to select the starting location within the block. The programmed burst length applies to both Read and Write bursts.

Accesses within a given burst may be programmed to be either sequential or interleaved; this is referred to as the burst type and is selected via bit A3. The ordering of accesses within a burst is determined by the burst length, the burst type and the starting column address, as shown in Burst Definition Table

CAS LATENCY

The Read latency or CAS latency is the delay in clock cycles between the registration of a Read command and the availability of the first burst of output data. The latency can be programmed 2 or 2.5 clocks for DDR200/266/333 and 3 clocks for DDR400. If a Read command is registered at clock edge n, and the latency is m clocks, the data is available nominally coincident with clock edge n + m.

Reserved states should not be used as unknown operation or incompatibility with future versions may result.

DLL RESET

The DLL must be enabled for normal operation. DLL enable is required during power up initialization, and upon returning to normal operation after having disabled the DLL for the purpose of debug or evaluation. The DLL is automatically disabled when entering self refresh operation and is automatically re-enabled upon exit of self refresh operation. Any time the DLL is enabled, 200 clock cycles must occur to allow time for the internal clock to lock to the externally applied clock before an any command can be issued.

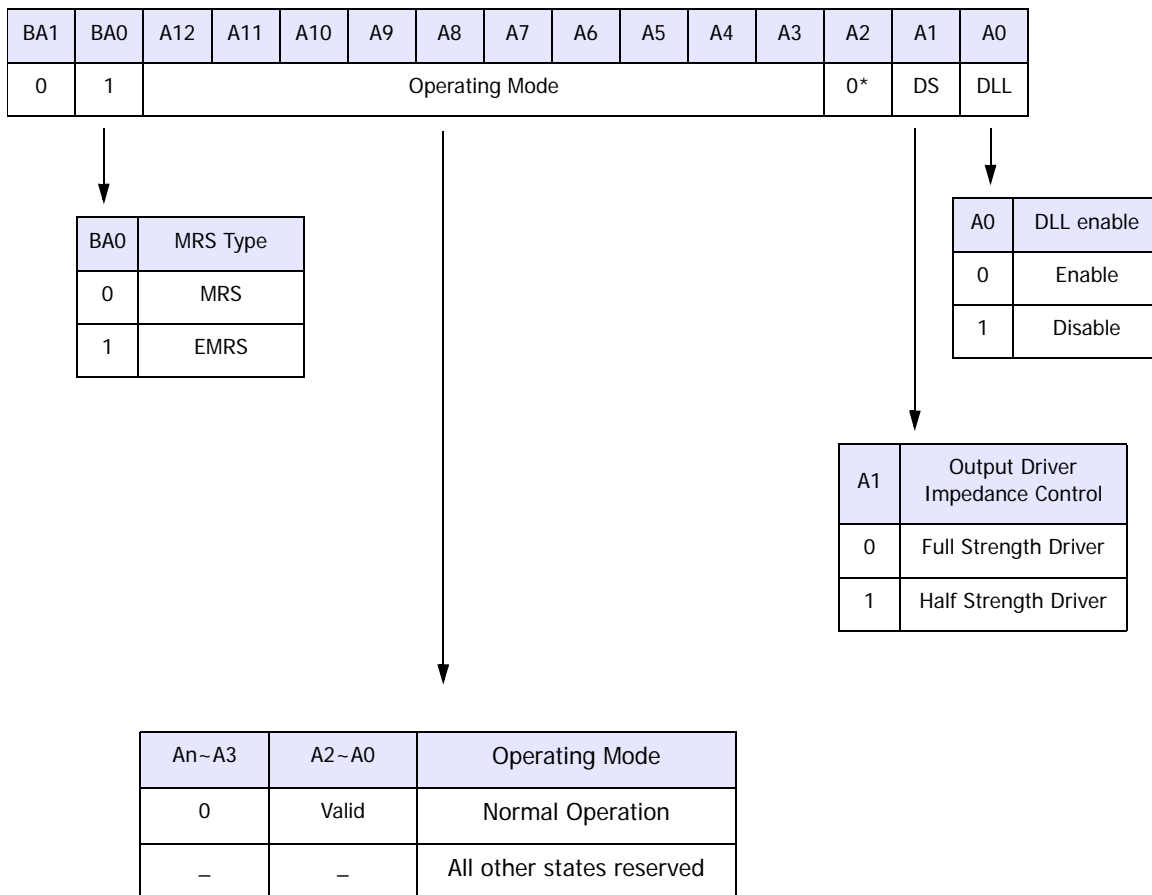
OUTPUT DRIVER IMPEDANCE CONTROL

The normal drive strength for all outputs is specified to be SSTL_2, Class II. Hynix also supports a half strength driver option, intended for lighter load and/or point-to-point environments. Selection of the half strength driver option will reduce the output drive strength by 50% of that of the full strength driver. I-V curves for both the full strength driver and the half strength driver are included in this document.

EXTENDED MODE REGISTER SET (EMRS)

The Extended Mode Register controls functions beyond those controlled by the Mode Register; these additional functions include DLL enable/disable, output driver strength selection(optional). These functions are controlled via the bits shown below. The Extended Mode Register is programmed via the Mode Register Set command (BA0=1 and BA1=0) and will retain the stored information until it is programmed again or the device loses power.

The Extended Mode Register must be loaded when all banks are idle and no bursts are in progress, and the controller must wait the specified time before initiating any subsequent operation. Violating either of these requirements will result in unspecified operation.



* This part do not support/QFC function, A2 must be programmed to Zero.

ABSOLUTE MAXIMUM RATINGS

| Parameter | Symbol | Rating | Unit |
|-------------------------------------|---------|------------|----------|
| Operating Temperature (Ambient) | TA | 0 ~ 70 | °C |
| Storage Temperature | TSTG | -55 ~ 150 | °C |
| Voltage on VDD relative to VSS | VDD | -1.0 ~ 3.6 | V |
| Voltage on VDDQ relative to VSS | VDDQ | -1.0 ~ 3.6 | V |
| Voltage on inputs relative to VSS | VINPUT | -1.0 ~ 3.6 | V |
| Voltage on I/O pins relative to VSS | VIO | -0.5 ~ 3.6 | V |
| Output Short Circuit Current | IOS | 50 | mA |
| Soldering Temperature · Time | TSOLDER | 260 · 10 | °C · Sec |

Note: Operation at above absolute maximum rating can adversely affect device reliability

DC OPERATING CONDITIONS (TA=0 to 70 °C, Voltage referenced to VSS = 0V)

| Parameter | Symbol | Min | Typ. | Max | Unit | |
|--|---|-------------|----------|-------------|------|----|
| Power Supply Voltage (DDR200, 266, 333) | VDD | 2.3 | 2.5 | 2.7 | V | |
| Power Supply Voltage (DDR200, 266, 333) ¹ | VDDQ | 2.3 | 2.5 | 2.7 | V | |
| Power Supply Voltage (DDR400) | VDD | 2.5 | 2.6 | 2.7 | V | |
| Power Supply Voltage (DDR400) ¹ | VDDQ | 2.5 | 2.6 | 2.7 | V | |
| Input High Voltage | VIH | VREF + 0.15 | - | VDDQ + 0.3 | V | |
| Input Low Voltage ² | VIL | -0.3 | - | VREF - 0.15 | V | |
| Termination Voltage | VTT | VREF - 0.04 | VREF | VREF + 0.04 | V | |
| Reference Voltage ³ | VREF | 0.49*VDDQ | 0.5*VDDQ | 0.51*VDDQ | V | |
| Input Voltage Level, CK and \overline{CK} inputs | VIN(DC) | -0.3 | - | VDDQ+0.3 | V | |
| Input Differential Voltage, CK and \overline{CK} inputs ⁴ | VID(DC) | 0.36 | - | VDDQ+0.6 | V | |
| V-I Matching: Pullup to Pulldown Current Ratio ⁵ | VI(RATIO) | 0.71 | - | 1.4 | - | |
| Input Leakage Current ⁶ | ILI | -2 | - | 2 | uA | |
| Output Leakage Current ⁷ | ILO | -5 | - | 5 | uA | |
| Normal Strength Output Driver (VOUT=VTT ± 0.84) | Output High Current (min VDDQ, min VREF, min VTT) | IOH | -16.8 | - | - | mA |
| | Output Low Current (min VDDQ, max VREF, max VTT) | IOL | 16.8 | - | - | mA |
| Half Strength Output Driver (VOUT=VTT ± 0.68) | Output High Current (min VDDQ, min VREF, min VTT) | IOH | -13.6 | - | - | mA |
| | Output Low Current (min VDDQ, max VREF, max VTT) | IOL | 13.6 | - | - | mA |

Note:

- VDDQ must not exceed the level of VDD.
- VIL (min) is acceptable -1.5V AC pulse width with ≤ 5 ns of duration.
- VREF is expected to be equal to 0.5*VDDQ of the transmitting device, and to track variations in the dc level of the same. Peak to peak noise on VREF may not exceed $\pm 2\%$ of the DC value.
- VID is the magnitude of the difference between the input level on CK and the input level on \overline{CK} .
- The ratio of the pullup current to the pulldown current is specified for the same temperature and voltage, over the entire temperature and voltage range, for device drain to source voltages from 0.25V to 1.0V. For a given output, it represents the maximum difference between pullup and pulldown drivers due to process variation. The full variation in the ratio of the maximum to minimum pullup and pulldown current will not exceed 1/7 for device drain to source voltages from 0.1 to 1.0.
- VIN=0 to VDD, All other pins are not tested under VIN =0V.
- DQs are disabled, VOUT=0 to VDDQ

IDD SPECIFICATION AND CONDITIONS (TA=0 to 70 °C, Voltage referenced to VSS = 0V)

Test Conditions

| Test Condition | Symbol |
|--|--------|
| Operating Current: One bank; Active - Precharge; tRC=tRC(min); tCK=tCK(min); DQ,DM and DQS inputs changing twice per clock cycle; address and control inputs changing once per clock cycle | IDD0 |
| Operating Current: One bank; Active - Read - Precharge; Burst Length=2; tRC=tRC(min); tCK=tCK(min); address and control inputs changing once per clock cycle | IDD1 |
| Precharge Power Down Standby Current: All banks idle; Power down mode; CKE=Low, tCK=tCK(min) | IDD2P |
| Idle Standby Current: Vin>=Vih(min) or Vin<=Vil(max) for DQ, DQS and DM | IDD2N |
| Idle Standby Current: /CS=High, All banks idle; tCK=tCK(min); CKE=High; address and control inputs changing once per clock cycle. VIN=VREF for DQ, DQS and DM | IDD2F |
| Idle Quiet Standby Current: /CS>=Vih(min); All banks idle; CKE>=Vih(min); Addresses and other control inputs stable, Vin=Vref for DQ, DQS and DM | IDD2Q |
| Active Power Down Standby Current: One bank active; Power down mode; CKE=Low, tCK=tCK(min) | IDD3P |
| Active Standby Current: /CS=HIGH; CKE=HIGH; One bank; Active-Precharge; tRC=tRAS(max); tCK=tCK(min); DQ, DM and DQS inputs changing twice per clock cycle; Address and other control inputs changing once per clock cycle | IDD3N |
| Operating Current: Burst=2; Reads; Continuous burst; One bank active; Address and control inputs changing once per clock cycle; tCK=tCK(min); IOUT=0mA | IDD4R |
| Operating Current: Burst=2; Writes; Continuous burst; One bank active; Address and control inputs changing once per clock cycle; tCK=tCK(min); DQ, DM and DQS inputs changing twice per clock cycle | IDD4W |
| Auto Refresh Current: tRC=tRFC(min) - 8*tCK for DDR200 at 100Mhz, 10*tCK for DDR266A & DDR266B at 133Mhz; distributed refresh tRC=tRFC(min) - 12*tCK for DDR333 at 166Mhz, 14*tCK for DDR400 at 200Mhz | IDD5 |
| Self Refresh Current: CKE =< 0.2V; External clock on; tCK=tCK(min) | IDD6 |
| Operating Current - Four Bank Operation: Four bank interleaving with BL=4, Refer to the following page for detailed test condition | IDD7 |

DETAILED TEST CONDITIONS FOR DDR SDRAM IDD1 & IDD7

IDD1: Operating current: One bank operation

1. Typical Case: VDD = 2.5V, T=25 °C for DDR200, 266, 333; VDD = 2.6V, T=25 °C for DDR400
2. Worst Case: VDD = 2.7V, T= 0 °C
3. Only one bank is accessed with tRC(min), Burst Mode, Address and Control inputs on NOP edge are changing once per clock cycle. Iout = 0mA
4. Timing patterns
 - DDR200(100Mhz, CL=2): tCK = 10ns, CL2, BL=2, tRCD = 2*tCK, tRC = 10*tCK, tRAS = 5*tCK
Read: A0 N R0 N N P0 N A0 N - repeat the same timing with random address changing
50% of data changing at every burst
 - DDR266B(133Mhz, CL=2.5): tCK = 7.5ns, CL=2.5, BL=4, tRCD = 3*tCK, tRC = 9*tCK, tRAS = 5*tCK
Read: A0 N N R0 N P0 N N N A0 N - repeat the same timing with random address changing
50% of data changing at every burst
 - DDR266A (133Mhz, CL=2): tCK = 7.5ns, CL=2, BL=4, tRCD = 3*tCK, tRC = 9*tCK, tRAS = 5*tCK
Read: A0 N N R0 N P0 N N N A0 N - repeat the same timing with random address changing
50% of data changing at every burst
 - DDR333(166Mhz, CL=2.5): tCK = 6ns, CL=2, BL=4, tRCD = 3*tCK, tRC = 10*tCK, tRAS = 7*tCK
Read: A0 N N R0 N N N P0 N N A0 N - repeat the same timing with random address changing
50% of data changing at every burst
 - DDR400(200Mhz, CL=3): tCK = 5ns, CL=3, BL=4, tRCD = 3*tCK, tRC = 11*tCK, tRAS = 8*tCK
Read: A0 N N R0 N N N P0 N N - repeat the same timing with random address changing
50% of data changing at every burst

Legend: A=Activate, R=Read, W=Write, P=Precharge, N=NOP

IDD7: Operating current: Four bank operation

1. Typical Case: VDD = 2.5V, T=25 °C for DDR200, 266, 333; VDD = 2.6V, T=25 °C for DDR400
2. Worst Case: VDD = 2.7V, T= 0 °C
3. Four banks are being interleaved with tRC(min), Burst Mode, Address and Control inputs on NOP edge are not changing. Iout = 0mA
4. Timing patterns
 - DDR200(100Mhz, CL=2): tCK = 10ns, CL2, BL=4, tRRD = 2*tCK, tRCD= 3*tCK, Read with Autoprecharge
Read: A0 N A1 R0 A2 R1 A3 R2 A0 R3 A1 R0 - repeat the same timing with random address changing
50% of data changing at every burst
 - DDR266B(133Mhz, CL=2.5): tCK = 7.5ns, CL=2.5, BL=4, tRRD = 2*tCK, tRCD = 3*tCK Read with autoprecharge
Read: A0 N A1 R0 A2 R1 A3 R2 N R3 A0 N A1 R0 - repeat the same timing with random address changing
50% of data changing at every burst
 - DDR266A (133Mhz, CL=2): tCK = 7.5ns, CL2=2, BL=4, tRRD = 2*tCK, tRCD = 3*tCK
Read: A0 N A1 R0 A2 R1 A3 R2 N R3 A0 N A1 R0 - repeat the same timing with random address changing
50% of data changing at every burst
 - DDR333(166Mhz, CL=2.5): tCK = 6ns, CL=2.5, BL=4, tRRD = 2*tCK, tRCD = 3*tCK, Read with autoprecharge
Read: A0 N A1 R0 A2 R1 A3 R2 N R3 A0 N A1 R0 - repeat the same timing with random address changing
50% of data changing at every burst
 - DDR400(200Mhz, CL=3): tCK = 5ns, CL = 2, BL = 4, tRRD = 2*tCK, tRCD = 3*tCK, Read with autoprecharge
Read: A0 N A1 R0 A2 R1 A3 R2 N R3 A0 N A1 R0 - repeat the same timing with random address changing
50% of data changing at every burst

Legend: A=Activate, R=Read, W=Write, P=Precharge, N=NOP

IDD Specification

128Mx4

| Parameter | Symbol | Speed | | | | | Unit |
|---|-----------|---------|--------|---------|---------|--------|------|
| | | DDR400B | DDR333 | DDR266A | DDR266B | DDR200 | |
| Operating Current | IDD0 | 130 | 120 | 100 | | mA | |
| Operating Current | IDD1 | 170 | 150 | 120 | | mA | |
| Precharge Power Down Standby Current | IDD2P | 10 | | | | mA | |
| Idle Standby Current | IDD2F | 35 | | | | mA | |
| Idle Quiet Standby Current | IDD2Q | 30 | | | | mA | |
| Active Power Down Standby Current | IDD3P | 45 | | | | mA | |
| Active Standby Current | IDD3N | 60 | | | | mA | |
| Operating Current | IDD4R | 210 | 190 | 170 | | mA | |
| Operating Current | IDD4W | 230 | 210 | 180 | | | |
| Auto Refresh Current | IDD5 | 260 | 240 | 220 | | | |
| Self Refresh Current | Normal | IDD6 | 5 | | | mA | |
| | Low Power | | 3 | | | mA | |
| Operating Current - Four Bank Operation | IDD7 | 360 | 350 | 340 | | mA | |

64Mx8

| Parameter | Symbol | Speed | | | | | Unit |
|---|-----------|---------|--------|---------|---------|--------|------|
| | | DDR400B | DDR333 | DDR266A | DDR266B | DDR200 | |
| Operating Current | IDD0 | 130 | 120 | 100 | | mA | |
| Operating Current | IDD1 | 170 | 150 | 120 | | mA | |
| Precharge Power Down Standby Current | IDD2P | 10 | | | | mA | |
| Idle Standby Current | IDD2F | 35 | | | | mA | |
| Idle Quiet Standby Current | IDD2Q | 30 | | | | mA | |
| Active Power Down Standby Current | IDD3P | 45 | | | | mA | |
| Active Standby Current | IDD3N | 60 | | | | mA | |
| Operating Current | IDD4R | 210 | 190 | 170 | | mA | |
| Operating Current | IDD4W | 230 | 210 | 180 | | | |
| Auto Refresh Current | IDD5 | 260 | 240 | 220 | | | |
| Self Refresh Current | Normal | IDD6 | 5 | | | mA | |
| | Low Power | | 3 | | | mA | |
| Operating Current - Four Bank Operation | IDD7 | 360 | 350 | 340 | | mA | |

32Mx16

| Parameter | Symbol | Speed | | | | | Unit | | |
|---|-----------|---------|--------|---------|---------|--------|------|----|----|
| | | DDR400B | DDR333 | DDR266A | DDR266B | DDR200 | | | |
| Operating Current | IDD0 | 130 | 120 | 100 | | | mA | | |
| Operating Current | IDD1 | 170 | 150 | 120 | | | mA | | |
| Precharge Power Down Standby Current | IDD2P | 10 | | | | | | mA | |
| Idle Standby Current | IDD2F | 35 | | | | | | mA | |
| Idle Quiet Standby Current | IDD2Q | 30 | | | | | | mA | |
| Active Power Down Standby Current | IDD3P | 45 | | | | | | mA | |
| Active Standby Current | IDD3N | 60 | | | | | | mA | |
| Operating Current | IDD4R | 210 | 190 | 170 | | | mA | | |
| Operating Current | IDD4W | 230 | 210 | 180 | | | | | |
| Auto Refresh Current | IDD5 | 260 | 240 | 220 | | | | | |
| Self Refresh Current | Normal | IDD6 | 5 | | | | | | mA |
| | Low Power | | 3 | | | | | | mA |
| Operating Current - Four Bank Operation | IDD7 | 360 | 350 | 340 | | | mA | | |

AC OPERATING CONDITIONS (TA=0 to 70 °C, Voltage referenced to VSS = 0V)

| Parameter | Symbol | Min | Max | Unit |
|--|---------|--------------|--------------|------|
| Input High (Logic 1) Voltage, DQ, DQS and DM signals | VIH(AC) | VREF + 0.31 | - | V |
| Input Low (Logic 0) Voltage, DQ, DQS and DM signals | VIL(AC) | - | VREF - 0.31 | V |
| Input Differential Voltage, CK and /CK inputs ¹ | VID(AC) | 0.7 | VDDQ + 0.6 | V |
| Input Crossing Point Voltage, CK and /CK inputs ² | VIX(AC) | 0.5*VDDQ-0.2 | 0.5*VDDQ+0.2 | V |

Note:

1. VID is the magnitude of the difference between the input level on CK and the input on /CK.
2. The value of VIX is expected to equal 0.5*V DDQ of the transmitting device and must track variations in the DC level of the same.

*For more information about AC Overshoot/Undershoot Specifications, refer to "Device Operation" section in hynix website.

AC OPERATING TEST CONDITIONS (TA=0 to 70°C, Voltage referenced to VSS = 0V)

| Parameter | Value | Unit |
|--|-------------|------|
| Reference Voltage | VDDQ x 0.5 | V |
| Termination Voltage | VDDQ x 0.5 | V |
| AC Input High Level Voltage (VIH, min) | VREF + 0.31 | V |
| AC Input Low Level Voltage (VIL, max) | VREF - 0.31 | V |
| Input Timing Measurement Reference Level Voltage | VREF | V |
| Output Timing Measurement Reference Level Voltage | VTT | V |
| Input Signal maximum peak swing | 1.5 | V |
| Input minimum Signal Slew Rate | 1 | V/ns |
| Termination Resistor (RT) | 50 | Ω |
| Series Resistor (RS) | 25 | W |
| Output Load Capacitance for Access Time Measurement (CL) | 30 | pF |

AC CHARACTERISTICS (note: 1 - 9 / AC operating conditions unless otherwise noted)

| Parameter | Symbol | DDR400B | | DDR333 | | DDR266A | | DDR266B | | DDR200 | | UNIT | |
|--|----------|-----------------------|------|-----------------------|------|-----------------------|------|-----------------------|------|-----------------------|------|------|----|
| | | Min | Max | Min | Max | Min | Max | Min | Max | Min | Max | | |
| Row Cycle Time | tRC | 55 | - | 60 | - | 65 | - | 65 | - | 70 | - | ns | |
| Auto Refresh Row Cycle Time | tRFC | 70 | - | 72 | - | 75 | - | 75 | - | 80 | - | ns | |
| Row Active Time | tRAS | 40 | 70K | 42 | 70K | 45 | 120K | 45 | 120K | 50 | 120K | ns | |
| Active to Read with Auto Precharge Delay | tRAP | tRCD or tRASmin | - | tRCD or tRASmin | - | tRCD or tRASmin | - | tRCD or tRASmin | - | tRCD or tRASmin | - | ns | |
| Row Address to Column Address Delay | tRCD | 15 | - | 18 | - | 20 | - | 20 | - | 20 | - | ns | |
| Row Active to Row Active Delay | tRRD | 10 | - | 12 | - | 15 | - | 15 | - | 15 | - | ns | |
| Column Address to Column Address Delay | tCCD | 1 | - | 1 | - | 1 | - | 1 | - | 1 | - | tCK | |
| Row Precharge Time | tRP | 15 | - | 18 | - | 20 | - | 20 | - | 20 | - | ns | |
| Write Recovery Time | tWR | 15 | - | 15 | - | 15 | - | 15 | - | 15 | - | ns | |
| Internal Write to Read Command Delay | tWTR | 2 | - | 1 | - | 1 | - | 1 | - | 1 | - | tCK | |
| Auto Precharge Write Recovery + Precharge Time ²² | tDAL | (tWR/tCK) + (tRP/tCK) | - | (tWR/tCK) + (tRP/tCK) | - | (tWR/tCK) + (tRP/tCK) | - | (tWR/tCK) + (tRP/tCK) | - | (tWR/tCK) + (tRP/tCK) | - | tCK | |
| System Clock Cycle Time ²⁴ | CL = 3 | tCK | 5 | 10 | - | - | - | - | - | - | - | ns | |
| | CL = 2.5 | | 6 | 12 | 6 | 12 | 7.5 | 12 | 7.5 | 12 | 8.0 | 12 | ns |
| | CL = 2 | | 7.5 | 12 | 7.5 | 12 | 7.5 | 12 | 10 | 12 | 10 | 12 | ns |
| Clock High Level Width | tCH | 0.45 | 0.55 | 0.45 | 0.55 | 0.45 | 0.55 | 0.45 | 0.55 | 0.45 | 0.55 | tCK | |
| Clock Low Level Width | tCL | 0.45 | 0.55 | 0.45 | 0.55 | 0.45 | 0.55 | 0.45 | 0.55 | 0.45 | 0.55 | tCK | |
| Data-Out edge to Clock edge Skew | tAC | -0.7 | 0.7 | -0.7 | 0.7 | -0.75 | 0.75 | -0.75 | 0.75 | -0.75 | 0.75 | ns | |
| DQS-Out edge to Clock edge Skew | tDQSCK | -0.55 | 0.55 | -0.6 | 0.6 | -0.75 | 0.75 | -0.75 | 0.75 | -0.75 | 0.75 | ns | |
| DQS-Out edge to Data-Out edge Skew ²¹ | tDQSQ | - | 0.4 | - | 0.4 | - | 0.5 | - | 0.5 | - | 0.6 | ns | |
| Data-Out hold time from DQS ²⁰ | tQH | tHP - tQHS | - | tHP - tQHS | - | tHP - tQHS | - | tHP - tQHS | - | tHP - tQHS | - | ns | |
| Clock Half Period ^{19,20} | tHP | min (tCL, tCH) | - | min (tCL, tCH) | - | min (tCL, tCH) | - | min (tCL, tCH) | - | min (tCL, tCH) | - | ns | |
| Data Hold Skew Factor ²⁰ | tQHS | - | 0.5 | - | 0.5 | - | 0.75 | - | 0.75 | - | 0.75 | ns | |
| Valid Data Output Window | tDV | tQH-tDQSQ | | tQH-tDQSQ | | tQH-tDQSQ | | tQH-tDQSQ | | tQH-tDQSQ | | ns | |

- Continue

| Parameter | Symbol | DDR400B | | DDR333 | | DDR266A | | DDR266B | | DDR200 | | UNIT |
|--|--------|---------|------|--------|------|---------|------|---------|------|--------|------|------|
| | | Min | Max | Min | Max | Min | Max | Min | Max | Min | Max | |
| Data-out high-impedance window from CK, ₁ /CK ¹⁰ | tHZ | -0.7 | 0.7 | -0.7 | 0.7 | -0.75 | 0.75 | -0.75 | 0.75 | -0.8 | 0.8 | ns |
| Data-out low-impedance window from CK, /CK ¹⁰ | tLZ | -0.7 | 0.7 | -0.7 | 0.7 | -0.75 | 0.75 | -0.75 | 0.75 | -0.8 | 0.8 | ns |
| Input Setup Time (fast slew rate) ^{14,16-18} | tIS | 0.6 | - | 0.75 | - | 0.9 | - | 0.9 | - | 1.1 | - | ns |
| Input Hold Time (fast slew rate) ^{14,16-18} | tIH | 0.6 | - | 0.75 | - | 0.9 | - | 0.9 | - | 1.1 | - | ns |
| Input Setup Time (slow slew rate) ¹⁵⁻¹⁸ | tIS | 0.7 | - | 0.8 | - | 1.0 | - | 1.0 | - | 1.1 | - | ns |
| Input Hold Time (slow slew rate) ¹⁵⁻¹⁸ | tIH | 0.7 | - | 0.8 | - | 1.0 | - | 1.0 | - | 1.1 | - | ns |
| Input Pulse Width ¹⁷ | tIPW | 2.2 | - | 2.2 | - | 2.2 | - | 2.2 | - | 2.5 | - | ns |
| Write DQS High Level Width | tDQSH | 0.35 | - | 0.35 | - | 0.35 | - | 0.35 | - | 0.35 | - | tCK |
| Write DQS Low Level Width | tDQSL | 0.35 | - | 0.35 | - | 0.35 | - | 0.35 | - | 0.35 | - | tCK |
| Clock to First Rising edge of DQS-In | tDQSS | 0.72 | 1.25 | 0.75 | 1.25 | 0.75 | 1.25 | 0.75 | 1.25 | 0.75 | 1.25 | tCK |
| DQS falling edge to CK setup time | tDSS | 0.2 | - | 0.2 | - | 0.2 | - | 0.2 | - | 0.2 | - | tCK |
| DQS falling edge hold time from CK | tDSH | 0.2 | - | 0.2 | - | 0.2 | - | 0.2 | - | 0.2 | - | tCK |
| DQ & DM input setup time ²⁵ | tDS | 0.4 | - | 0.45 | - | 0.5 | - | 0.5 | - | 0.6 | - | ns |
| DQ & DM input hold time ²⁵ | tDH | 0.4 | - | 0.45 | - | 0.5 | - | 0.5 | - | 0.6 | - | ns |
| DQ & DM Input Pulse Width ¹⁷ | tDIPW | 1.75 | - | 1.75 | - | 1.75 | - | 1.75 | - | 2 | - | ns |
| Read DQS Preamble Time | tRPRE | 0.9 | 1.1 | 0.9 | 1.1 | 0.9 | 1.1 | 0.9 | 1.1 | 0.9 | 1.1 | tCK |
| Read DQS Postamble Time | tRPST | 0.4 | 0.6 | 0.4 | 0.6 | 0.4 | 0.6 | 0.4 | 0.6 | 0.4 | 0.6 | tCK |
| Write DQS Preamble Setup Time ¹² | tWPRES | 0 | - | 0 | - | 0 | - | 0 | - | 0 | - | ns |
| Write DQS Preamble Hold Time | tWPREH | 0.25 | - | 0.25 | - | 0.25 | - | 0.25 | - | 0.25 | - | tCK |
| Write DQS Postamble Time ¹¹ | tWPST | 0.4 | 0.6 | 0.4 | 0.6 | 0.4 | 0.6 | 0.4 | 0.6 | 0.4 | 0.6 | tCK |
| Mode Register Set Delay | tMRD | 2 | - | 2 | - | 2 | - | 2 | - | 2 | - | tCK |
| Exit Self Refresh to non-Read command ²³ | tXSNR | 75 | - | 75 | - | 75 | - | 75 | - | 80 | - | ns |
| Exit Self Refresh to Read command | tXSRD | 200 | - | 200 | - | 200 | - | 200 | - | 200 | - | tCK |
| Average Periodic Refresh Interval ^{13,25} | tREFI | - | 7.8 | - | 7.8 | - | 7.8 | - | 7.8 | - | 7.8 | us |

Note:

1. All voltages referenced to V_{SS}.
2. Tests for ac timing, I_{DD}, and electrical, ac and dc characteristics, may be conducted at nominal reference/supply voltage levels, but the related specifications and device operation are guaranteed for the full voltage range specified.
3. Below figure represents the timing reference load used in defining the relevant timing parameters of the part. It is not intended to be either a precise representation of the typical system environment nor a depiction of the actual load presented by a production tester. System designers will use IBIS or other simulation tools to correlate the timing reference load to a system environment. Manufacturers will correlate to their production test conditions (generally a coaxial transmission line terminated at the tester electronics).

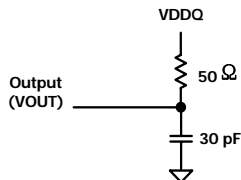


Figure: Timing Reference Load

4. AC timing and I_{DD} tests may use a V_{IL} to V_{IH} swing of up to 1.5 V in the test environment, but input timing is still referenced to V_{REF} (or to the crossing point for CK, /CK), and parameter specifications are guaranteed for the specified ac input levels under normal use conditions. The minimum slew rate for the input signals is 1 V/ns in the range between V_{IL}(ac) and V_{IH}(ac).
5. The ac and dc input level specifications are as defined in the SSTL_2 Standard (i.e., the receiver will effectively switch as a result of the signal crossing the ac input level and will remain in that state as long as the signal does not ring back above (below) the dc input LOW (HIGH) level).
6. Inputs are not recognized as valid until V_{REF} stabilizes. Exception: during the period before V_{REF} stabilizes, CKE \leq 0.2V_{DDQ} is recognized as LOW.
7. The CK, /CK input reference level (for timing referenced to CK, /CK) is the point at which CK and /CK cross; the input reference level for signals other than CK, /CK is V_{REF}.
8. The output timing reference voltage level is V_{TT}.
9. Operation or timing that is not specified is illegal and after such an event, in order to guarantee proper operation, the DRAM must be powered down and then restarted through the specified initialization sequence before normal operation can continue.
10. t_{HZ} and t_{LZ} transitions occur in the same access time windows as valid data transitions. These parameters are not referenced to a specific voltage level but specify when the device output is no longer driving (HZ), or begins driving (LZ).
11. The maximum limit for this parameter is not a device limit. The device will operate with a greater value for this parameter, but system performance (bus turnaround) will degrade accordingly.
12. The specific requirement is that DQS be valid (HIGH, LOW, or at some point on a valid transition) on or before this CK edge. A valid transition is defined as monotonic and meeting the input slew rate specifications of the device. When no writes were previously in progress on the bus, DQS will be transitioning from High-Z to logic LOW. If a previous write was in progress, DQS could be HIGH, LOW, or transitioning from HIGH to LOW at this time, depending on t_{DQSS}.
13. A maximum of eight AUTO REFRESH commands can be posted to any given DDR SDRAM device.
14. For command/address input slew rate \geq 1.0 V/ns.
15. For command/address input slew rate \geq 0.5 V/ns and $<$ 1.0 V/ns
16. For CK & /CK slew rate \geq 1.0 V/ns (single-ended)
17. These parameters guarantee device timing, but they are not necessarily tested on each device. They may be guaranteed by device design or tester correlation.
18. Slew Rate is measured between V_{OH}(ac) and V_{OL}(ac).
19. Min (t_{CL}, t_{CH}) refers to the smaller of the actual clock low time and the actual clock high time as provided to the device (i.e. this value can be greater than the minimum specification limits for t_{CL} and t_{CH}).
 For example, t_{CL} and t_{CH} are = 50% of the period, less the half period jitter (t_{JIT}(HP)) of the clock source, and less the half period jitter due to crosstalk (t_{JIT}(crosstalk)) into the clock traces.

20. $t_{QH} = t_{HP} - t_{QHS}$, where:

t_{HP} = minimum half clock period for any given cycle and is defined by clock high or clock low (t_{CH} , t_{CL}). t_{QHS} accounts for 1) The pulse duration distortion of on-chip clock circuits; and 2) The worst case push--out of DQS on one transition followed by the worst case pull--in of DQ on the next transition, both of which are, separately, due to data pin skew and output pattern effects, and p-channel to n-channel variation of the output drivers.

21. t_{DQSQ} :

Consists of data pin skew and output pattern effects, and p-channel to n-channel variation of the output drivers for any given cycle.

22. $t_{DAL} = (t_{WR}/t_{CK}) + (t_{RP}/t_{CK})$

For each of the terms above, if not already an integer, round to the next highest integer.

Example: For DDR266B at $CL=2.5$ and $t_{CK}=7.5$ ns

$t_{DAL} = ((15 \text{ ns} / 7.5 \text{ ns}) + (20 \text{ ns} / 7.5 \text{ ns}))$ clocks

= ((2) + (3)) clocks

= 5 clocks

23. In all circumstances, t_{XSNR} can be satisfied using

$t_{XSNR} = t_{RFCmin} + 1 * t_{CK}$

24. The only time that the clock frequency is allowed to change is during self-refresh mode.

25. If refresh timing or t_{DS}/t_{DH} is violated, data corruption may occur and the data must be re-written with valid data before a valid READ can be executed.

SYSTEM CHARACTERISTICS CONDITIONS for DDR SDRAMS

The following tables are described specification parameters that required in systems using DDR devices to ensure proper performance. These characteristics are for system simulation purposes and are guaranteed by design.

Input Slew Rate for DQ/DM/DQS (Table a.)

| AC CHARACTERISTICS | | DDR400 | | DDR333 | | DDR266 | | DDR200 | | UNIT | Note |
|--|--------|--------|-----|--------|-----|--------|-----|--------|-----|------|------|
| PARAMETER | Symbol | min | max | min | max | min | max | min | max | | |
| DQ/DM/DQS input slew rate measured between VIH(DC), VIL(DC) and VIL(DC), VIH(DC) | DCSLEW | 0.5 | 4.0 | 0.5 | 4.0 | 0.5 | 4.0 | 0.5 | 4.0 | V/ns | 1,12 |

Address & Control Input Setup & Hold Time Derating (Table b.)

| Input Slew Rate | Delta tIS | Delta tIH | UNIT | Note |
|-----------------|-----------|-----------|------|------|
| 0.5 V/ns | 0 | 0 | ps | 9 |
| 0.4 V/ns | +50 | 0 | ps | 9 |
| 0.3 V/ns | +100 | 0 | ps | 9 |

DQ & DM Input Setup & Hold Time Derating (Table c.)

| Input Slew Rate | Delta tDS | Delta tDH | UNIT | Note |
|-----------------|-----------|-----------|------|------|
| 0.5 V/ns | 0 | 0 | ps | 11 |
| 0.4 V/ns | +75 | 0 | ps | 11 |
| 0.3 V/ns | +150 | 0 | ps | 11 |

DQ & DM Input Setup & Hold Time Derating for Rise/Fall Delta Slew Rate (Table d.)

| Input Slew Rate | Delta tDS | Delta tDH | UNIT | Note |
|-----------------|-----------|-----------|------|------|
| ± 0.0 ns/V | 0 | 0 | ps | 10 |
| ± 0.25 ns/V | +50 | +50 | ps | 10 |
| ± 0.5 ns/V | +100 | +100 | ps | 10 |

Output Slew Rate Characteristics (for x4, x8 Devices) (Table e.)

| Slew Rate Characteristic | Typical Range (V/ns) | Minimum (V/ns) | Maximum (V/ns) | Note |
|--------------------------|----------------------|----------------|----------------|-------------|
| Pullup Slew Rate | 1.2 - 2.5 | 1.0 | 4.5 | 1,3,4,6,7,8 |
| Pulldown Slew Rate | 1.2 - 2.5 | 1.0 | 4.5 | 2,3,4,6,7,8 |

Output Slew Rate Characteristics (for x16 Device) (Table f.)

| Slew Rate Characteristic | Typical Range (V/ns) | Minimum (V/ns) | Maximum (V/ns) | Note |
|--------------------------|----------------------|----------------|----------------|-------------|
| Pullup Slew Rate | 1.2 - 2.5 | 1.0 | 4.5 | 1,3,4,6,7,8 |
| Pulldown Slew Rate | 1.2 - 2.5 | 1.0 | 4.5 | 2,3,4,6,7,8 |

Output Slew Rate Matching Ratio Characteristics (Table g.)

| Slew Rate Characteristic | DDR266A | | DDR266B | | DDR200 | | Note |
|--|---------|-----|---------|-----|--------|-----|------|
| | min | max | min | max | min | max | |
| Output Slew Rate Matching Ratio (Pullup to Pulldown) | - | - | - | - | 0.71 | 1.4 | 5,12 |

Note:

1. Pullup slew rate is characterized under the test conditions as shown in below Figure.

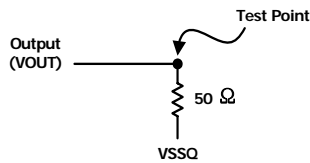


Figure: Pullup Slew rate

2. Pulldown slew rate is measured under the test conditions shown in below Figure.

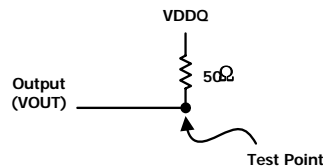


Figure: Pulldown Slew rate

3. Pullup slew rate is measured between $(VDDQ/2 - 320\text{mV} \pm 250\text{mV})$
 Pulldown slew rate is measured between $(VDDQ/2 + 320\text{mV} \pm 250\text{mV})$
 Pullup and Pulldown slew rate conditions are to be met for any pattern of data, including all outputs switching and only one output switching.

Example: For typical slew, DQ0 is switching

For minimum slew rate, all DQ bits are switching worst case pattern

For maximum slew rate, only one DQ is switching from either high to low, or low to high.

The remaining DQ bits remain the same as for previous state.

4. Evaluation conditions

Typical: 25 °C (Ambient), VDDQ = nominal, typical process

Minimum: 70 °C (Ambient), VDDQ = minimum, slow-slow process

Maximum: 0 °C (Ambient), VDDQ = Maximum, fast-fast process

5. The ratio of pullup slew rate to pulldown slew rate is specified for the same temperature and voltage, over the entire temperature and voltage range. For a given output, it represents the maximum difference between pullup and pulldown drivers due to process variation.
6. Verified under typical conditions for qualification purposes.
7. TSOP-II package devices only.
8. Only intended for operation up to 256 Mbps per pin.
9. A derating factor will be used to increase tIS and tIH in the case where the input slew rate is below 0.5 V/ns as shown in Table b.
 The Input slew rate is based on the lesser of the slew rates determined by either VIH(AC) to VIL(AC) or VIH(DC) to VIL(DC), similarly for rising transitions.
10. A derating factor will be used to increase tDS and tDH in the case where DQ, DM, and DQS slew rates differ, as shown in Tables c & d. Input slew rate is based on the larger of AC-AC delta rise, fall rate and DC-DC delta rise, fall rate. Input slew rate is based on the lesser of the slew rates determined by either VIH(AC) to VIL(AC) or VIH(DC) to VIL(DC), similarly for rising transitions. The delta rise/fall rate is calculated as:
 $\{1/(\text{Slew Rate1})\} - \{1/(\text{slew Rate2})\}$
 For example:
 If Slew Rate 1 is 0.5 V/ns and Slew Rate 2 is 0.4 V/ns, then the delta rise, fall rate is -0.5 ns/V. Using the table given, this would result in the need for an increase in tDS and tDH of 100ps.
11. Table c is used to increase tDS and tDH in the case where the I/O slew rate is below 0.5 V/ns. The I/O slew rate is based on the lesser of the AC-AC slew rate and the DC-DC slew rate. The input slew rate is based on the lesser of the slew rates determined by either VIH(ac) to VIL(AC) or VIH(DC) to VIL(DC), and similarly for rising transitions.
12. DQS, DM, and DQ input slew rate is specified to prevent double clocking of data and preserve setup and hold times. Signal transitions through the DC region must be monotonic.

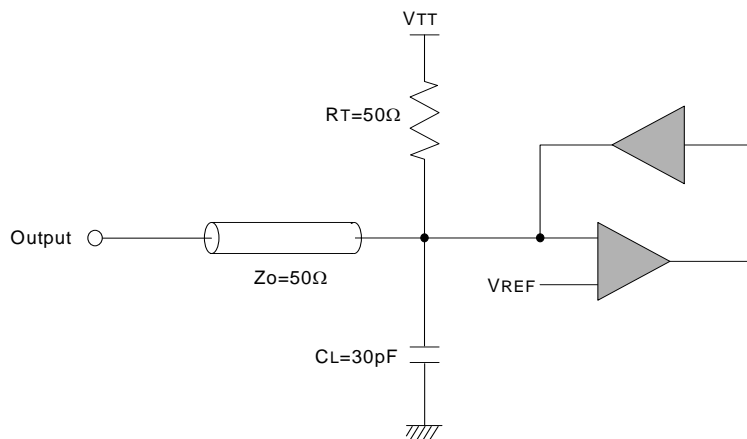
CAPACITANCE (TA=25°C, f=100MHz)

| Parameter | Pin | Symbol | Min | Max | Unit |
|----------------------------------|---------------------------|-----------|-----|------|------|
| Input Clock Capacitance | CK, /CK | C11 | 1.5 | 2.5 | pF |
| Delta Input Clock Capacitance | CK, /CK | Delta C11 | - | 0.25 | pF |
| Input Capacitance | All other input-only pins | C11 | 1.5 | 2.5 | pF |
| Delta Input Capacitance | All other input-only pins | Delta C12 | - | 0.5 | pF |
| Input / Output Capacitance | DQ, DQS, DM | C10 | 3.5 | 4.5 | pF |
| Delta Input / Output Capacitance | DQ, DQS, DM | Delta C10 | - | 0.5 | pF |

Note:

1. VDD = min. to max., VDDQ = 2.3V to 2.7V, VoDC = VDDQ/2, Vopeak-to-peak = 0.2V
2. Pins not under test are tied to GND.
3. These values are guaranteed by design and are tested on a sample basis only.

OUTPUT LOAD CIRCUIT



PACKAGE INFORMATION

