



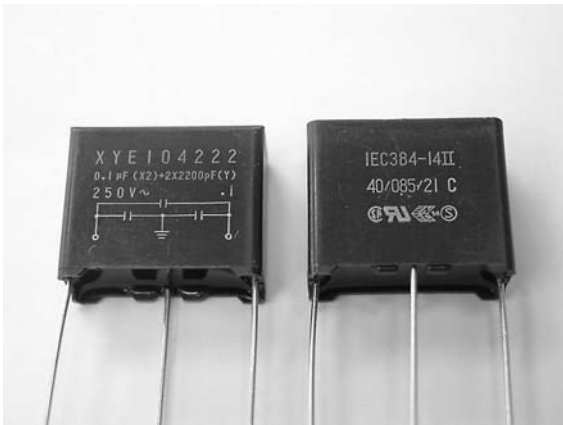
Features

- Small size series, X & Y capacitors combined unit with IEC60384-14 II.
- High frequency film capacitors.

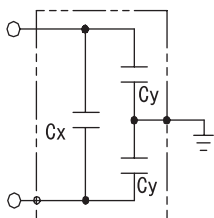
Applications

- Designed mainly for suppressing noise occurring in Electric and Electronic appliances.

●XYE series



Circuit



Cx: Line to Line (X capacitor)
Cy: Line to Ground (Y capacitor)

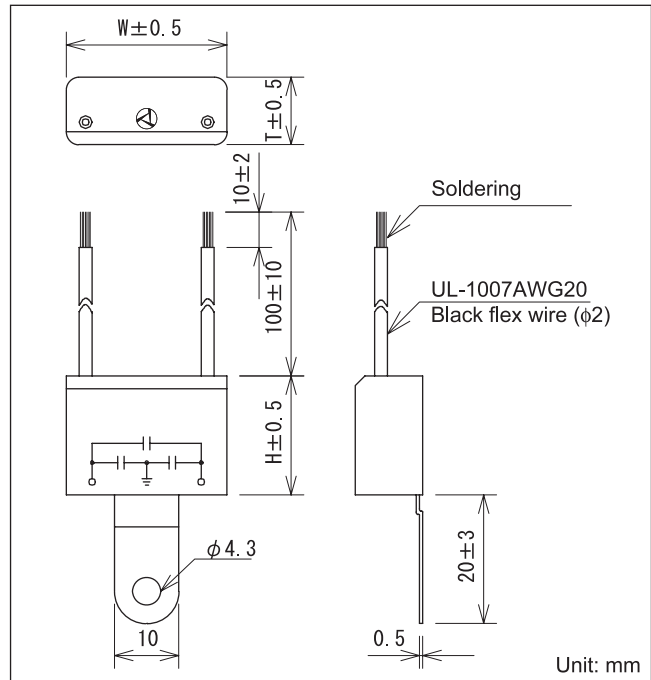


Safety Agency : Standard	File No.
UL : UL-1414	E47474
CSA : C22. 2 No. 0, 1	LR37404
ENEC-SEMKO : IEC60384-14 II EN132400	SE/0142-15

The "ENCE" mark is a common European product certification mark based on testing to harmonised European safety standard.
The mark with #14 stands for SEMKO.

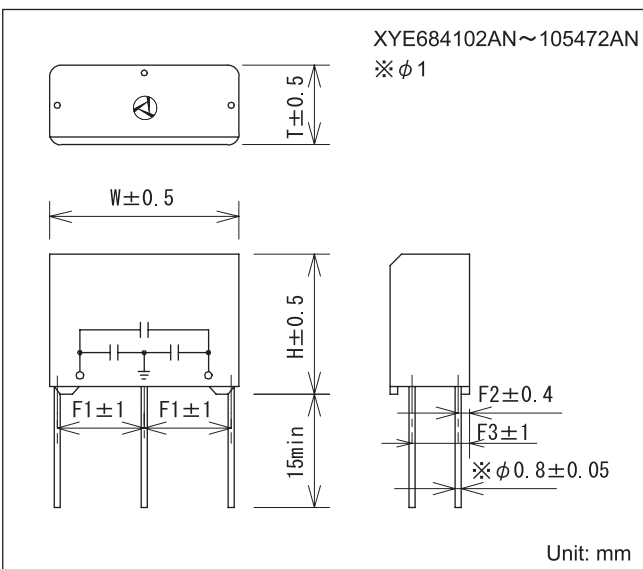


●XYE—BE series



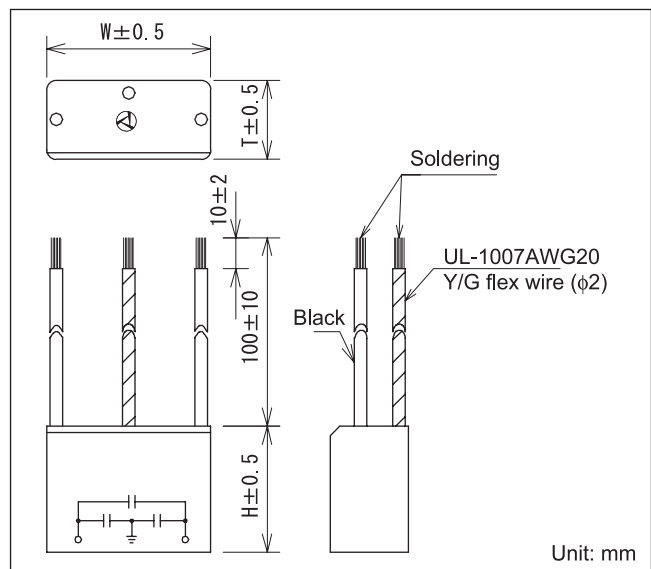
Unit: mm

●XYE—AN series



Unit: mm

●XYE—BN series

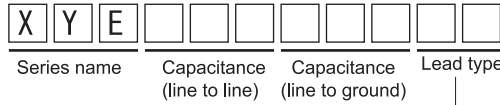


Unit: mm

NOISE SUPPRESSION CAPACITOR



● Model numbering system



AN	Bare wire
BN	Flex PVC wire
BE	Flex PVC wire & metal terminal

Electrical Specifications

Rated voltage **250VAC**

Safety Agency	Class	Model Number	Capacitance		Dimensions						Dissipation Factor	Test Voltage	Insulation Resistance	
			Cx ($\mu F \pm 20\%$)	Cy ($pF \pm 20\%$)	W	H	T	F 1	F 2	F 3				
		XYE-473472AN	0.047	4700	25.0	18.5	10.5	11.5	1.5	6.1	0.01max at 1000 $\pm 100Hz$	Line to Line 1250Vrms 50/60Hz 60sec	Line to Line $C_x \leq 0.02 \mu F$ 15000M Ω min. $C_x \geq 0.33 \mu F$ 5000 $\Omega \cdot F$ min.	
		XYE-104102AN	0.1	1000	"	20.0	12.0	"	"	"				7.1
		XYE-104222AN	0.1	2200	"	"	"	"	"	"				"
		XYE-104332AN	0.1	3300	"	"	"	"	"	"				"
		XYE-104472AN	0.1	4700	"	"	"	"	"	"				"
		XYE-224102AN	0.22	1000	"	22.5	14.5	"	"	"				8.6
		XYE-224222AN	0.22	2200	"	"	"	"	"	"				"
		XYE-224332AN	0.22	3300	"	"	"	"	"	"				"
		XYE-224472AN	0.22	4700	"	"	"	"	"	"				"
		XYE-334102AN	0.33	1000	30.0	26.0	19.0	13.5	1.8	9.7				"
		XYE-334222AN	0.33	2200	"	"	"	"	"	"				"
		XYE-334332AN	0.33	3300	"	"	"	"	"	"				"
		XYE-334472AN	0.33	4700	"	"	"	"	"	"	0.01max at 1000 $\pm 100Hz$	Line to Ground 2000Vrms 50/60Hz 60sec	Line to Ground 30000M Ω min.	
		XYE-474222AN	0.47	2200	"	"	"	"	"	"				
		XYE-474332AN	0.47	3300	"	"	"	"	"	"				
		XYE-474472AN	0.47	4700	"	"	"	"	"	"				
		XYE-104102BN	0.1	1000	26.0	20.0	12.5	-	-	-				"
		XYE-104222BN	0.1	2200	"	"	"	-	-	-				"
		XYE-104332BN	0.1	3300	"	"	"	-	-	-				"
		XYE-104472BN	0.1	4700	"	"	"	-	-	-				"
		XYE-224102BN	0.22	1000	"	23.0	15.0	-	-	-				"
		XYE-224222BN	0.22	2200	"	"	"	-	-	-				"
		XYE-224332BN	0.22	3300	"	"	"	-	-	-				"
		XYE-224472BN	0.22	4700	"	"	"	-	-	-				"
	X2 · Y2	XYE-334102BN	0.33	1000	31.0	27.5	18.5	-	-	-	0.01max at 1000 $\pm 100Hz$	Terminal to Case 2000Vrms 50/60Hz 60sec	Terminal to Case 100000M Ω min. (at 500Vdc)	
		XYE-334222BN	0.33	2200	"	"	"	-	-	-				
		XYE-334332BN	0.33	3300	"	"	"	-	-	-				
		XYE-334472BN	0.33	4700	"	"	"	-	-	-				
		XYE-474222BN	0.47	2200	"	"	"	-	-	-				
		XYE-474332BN	0.47	3300	"	"	"	-	-	-				
		XYE-474472BN	0.47	4700	"	"	"	-	-	-				
		XYE-104102BE	0.1	1000	26.0	20.0	12.5	-	-	-				"
		XYE-104222BE	0.1	2200	"	"	"	-	-	-				"
		XYE-104332BE	0.1	3300	"	"	"	-	-	-				"
		XYE-104472BE	0.1	4700	"	"	"	-	-	-				"
		XYE-224102BE	0.22	1000	"	23.0	15.0	-	-	-				"
XYE-224222BE	0.22	2200	"	"	"	-	-	-	"					
		XYE-224332BE	0.22	3300	"	"	"	-	-	-	0.01max at 1000 $\pm 100Hz$	Terminal to Case 2000Vrms 50/60Hz 60sec	Terminal to Case 100000M Ω min. (at 500Vdc)	
		XYE-224472BE	0.22	4700	"	"	"	-	-	-				
		XYE-334102BE	0.33	1000	32.5	26.0	20.0	-	-	-				
		XYE-334222BE	0.33	2200	"	"	"	-	-	-				
		XYE-334332BE	0.33	3300	"	"	"	-	-	-				
		XYE-334472BE	0.33	4700	"	"	"	-	-	-				
		XYE-474222BE	0.47	2200	"	"	"	-	-	-				
		XYE-474332BE	0.47	3300	"	"	"	-	-	-				
		XYE-474472BE	0.47	4700	"	"	"	-	-	-				

Operating temperature: -40~85°C