

## LED TUBE

## 1200mm / T9 / G13 LED TUBE

### DESCRIPTION

- Solution for energy saving, CO<sub>2</sub> reduction and environment protection
- BV LED tube is made of high brightness LED with driver build in
- Long lifetime (about to 50000Hrs)
- Recyclable
- Easy installation, direct replacement



### FEATURES

- End cap meets standard G13 specification
- Meets T9 (9/8 inches diameter) tube size
- Full range voltage (AC 90- 264V)
- Low power consumption and high optical intensity
- High power efficiency (>0.8)
- Lead (Pb) free, and RoHS compliant

### APPLICATIONS

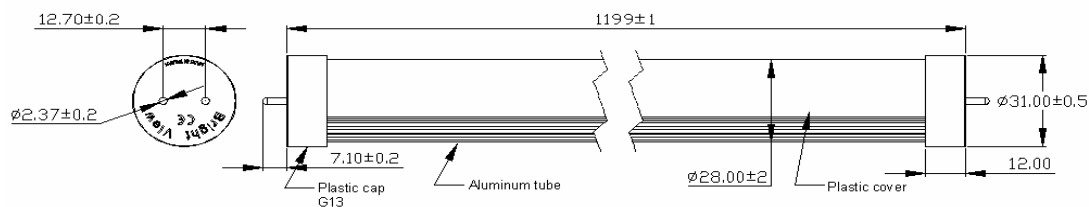
- General Lighting
- Tube Light Source
- Architectural Lighting
- Backlighting

### PART NUMBER LIST

P/N	Power (110Vac)	CCT	Lens	Cap base	LED quantity	Flux
BVM-TG40NAD1	20	5600K	Diffused	G13	120	1300
BVM-TG40NAC1	20	5600K	Clear	G13	120	1600
BVM-TG40NDC1	18	5600K	Clear	G13	100	1350

### DIMENSIONS

Unit : mm



**LED TUBE**
**1200mm / T9 / G13 LED TUBE**
**■ TYPICAL ELECTRICAL / OPTICAL CHARACTERISTICS AT Ta = 25 °C**
**BVM-TG40NAD1**

PARAMETER	SYMBOL	110VAC / 60Hz	220V / 60Hz	UNIT
Power dissipation	Pd	20(Typ.)	22(Typ.)	W
Power Factor	PF	≥0.7	≥0.7	-
Power Efficiency	PE	0.8(Typ.)	0.8(Typ.)	-
Luminous flux	ΦU	1300(Typ.)	1350(Typ.)	lm
Illuminance (@100cm)	E	270(Typ.)	300(Typ.)	lx
Luminous Efficacy	η	65(Typ.)	61(Typ.)	lm/W
Color Temperature	CCT	5600+/-500		°K
Input Voltage, Frequency	Vi	90~264; 50/60Hz		Vac
Operating Temperature Range	Top	-30 ~ +50		°C
Storage Temperature Range	Ts	-30 ~ +65		°C
Weight	-	485(Typ.)		g

**BVM-TG40NAC1**

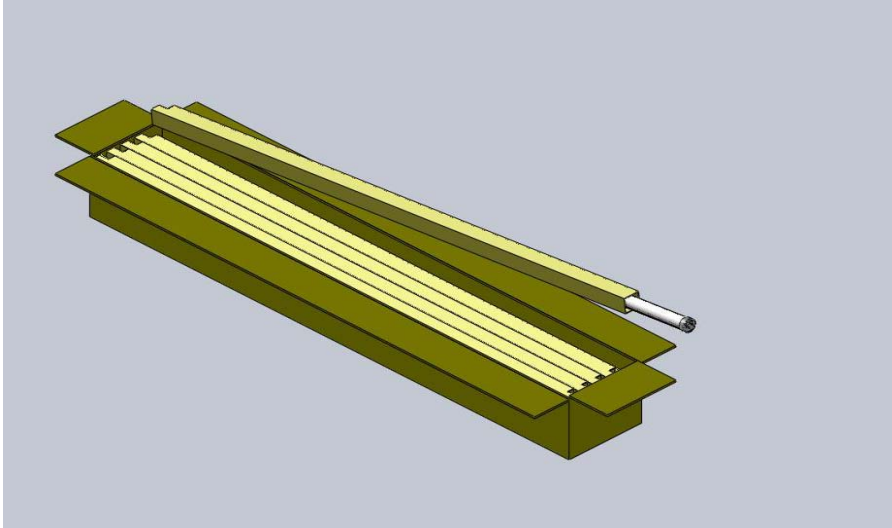
PARAMETER	SYMBOL	110VAC / 60Hz	220V / 60Hz	UNIT
Power dissipation	Pd	20(Typ.)	22(Typ.)	W
Power Factor	PF	≥0.7	≥0.7	-
Power Efficiency	PE	0.8(Typ.)	0.8(Typ.)	-
Luminous flux	ΦU	1600(Typ.)	1700(Typ.)	lm
Illuminance (@100cm)	E	330(Typ.)	370(Typ.)	lx
Luminous Efficacy	η	80(Typ.)	77(Typ.)	lm/W
Color Temperature	CCT	5600+/-500		°K
Input Voltage, Frequency	Vi	90~264; 50/60Hz		Vac
Operating Temperature Range	Top	-30 ~ +50		°C
Storage Temperature Range	Ts	-30 ~ +65		°C
Weight	-	485(Typ.)		g

**BVM-TG40NDC1**

PARAMETER	SYMBOL	110VAC / 60Hz	220V / 60Hz	UNIT
Power dissipation	Pd	18(Typ.)	20(Typ.)	W
Power Factor	PF	≥0.7	≥0.7	-
Power Efficiency	PE	0.8(Typ.)	0.8(Typ.)	-
Luminous flux	ΦU	1350(Typ.)	1400(Typ.)	lm
Illuminance (@100cm)	E	300(Typ.)	350(Typ.)	lx
Luminous Efficacy	η	75(Typ.)	70(Typ.)	lm/W
Color Temperature	CCT	5600+/-500		°K
Input Voltage, Frequency	Vi	90~264; 50/60Hz		Vac
Operating Temperature Range	Top	-30 ~ +50		°C
Storage Temperature Range	Ts	-30 ~ +65		°C
Weight	-	485(Typ.)		g

**■ Packaging**

Each carton has 20 tubes.

**■ CAUTIONS****1. Voltage**

- A. Driver the product over the specified voltage rating (264VAC) will damage the product.
- B. Lower than 90VAC the product will not work normally.
- C. Use DC source the product may not work normally.

**2. Installation**

- A. For your safety please turn off the power before install the product.
- B. Remove the starter from the luminaires. Starter may cause the tube work abnormally.
- C. Remover the capacitor from the ballast.
- D. This tube is not designed for rapid and instant type ballast. Do not apply the lamp in these luminaires.

**3. Storage & Handling**

- A. The product should be storage in an environment with the relative humidity less than 90% RH (@30 degree C or less).
- B. Warranty will be VOID if disassemble the lamp.
- C. The product is not waterproof. Excess moisture may also damage the product.