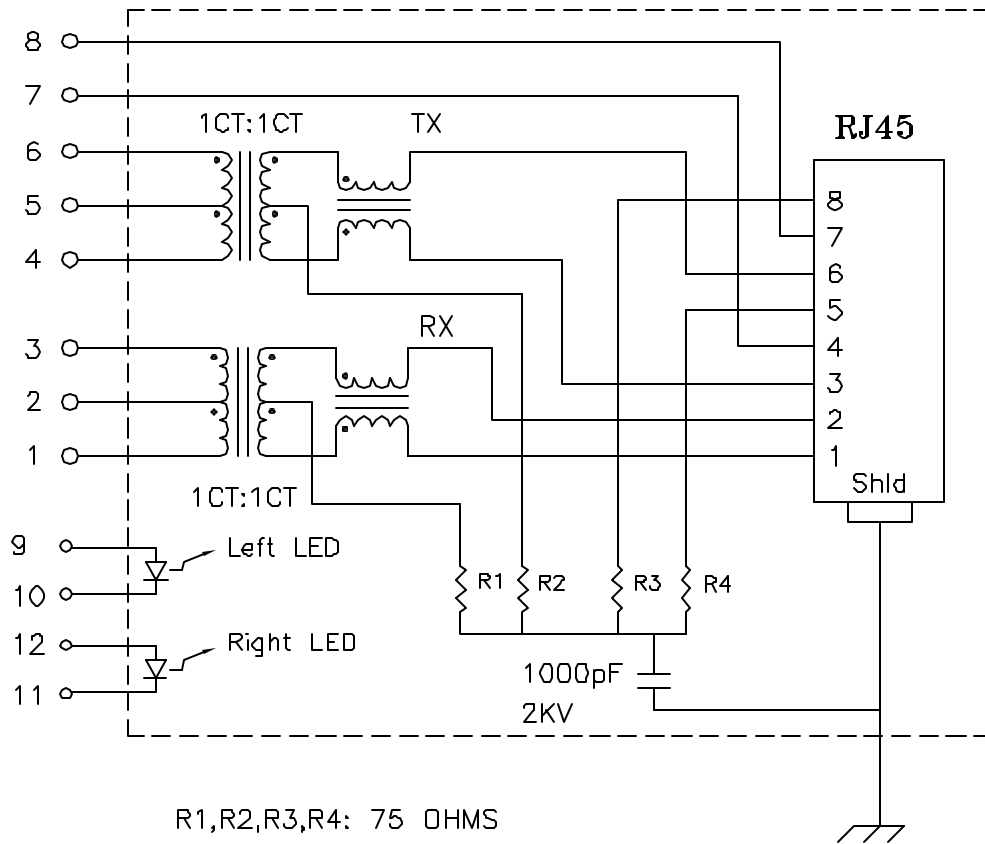


Schematic:



Electrical Specifications: @25°C

Isolation Voltage: 1500 Vrms (Input to Output)

Isolation Voltage: 500 Vrms (P1+2+3 to P4+5+6)

Turns Ratio: TX 1CT:1CT $\pm 3\%$ RX 1CT:1CT $\pm 3\%$

CABLE SIDE OCL: 350uH Minimum @100KHz 100mV 8mADC

Insertion Loss (300KHz-100MHz): -1.0dB Maximum

Return Loss: @30MHz -20dB Minimum

@80MHz -15dB Typ

Notes:

1. Solderability: Leads shall meet MIL-STD-202G, Method 208H for solderability.
2. Flammability: UL94V-0
3. ASTM oxygen Index: > 28%
4. Insulation System: Class F 155°C. UL file E151556
5. Operating Temperature Range: All listed parameters are to be within tolerance from -40°C to +85°C
6. Storage Temperature Range: -55°C to +125°C
7. Aqueous wash compatible
8. Electrical and mechanical specifications 100% tested
9. RoHS Compliant Component

Complete the Combo P/N as follows:

Replace 'x' & 'u' in the part number with one of the LED color letters:

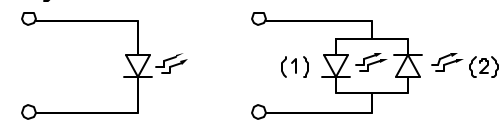
Y=Yellow
G=Green
A=Amber
R=Red

'x' = Left LED Color
'u' = Right LED Color

C=Green(1)/Amber(2) Bicolor
D=Amber(1)/Green(2) Bicolor
M=Green(1)/Yellow(2) Bicolor
N=Yellow(1)/Green(2) Bicolor
P=Red(1)/Green(2) Bicolor
Q=Green(1)/Red(2) Bicolor

Single Color LED:

Bi-Color LED:



DOC. REV: A/3

XFMRs Inc.
www.XFMRs.com

Title: **SINGLE PORT COMBO**

UNLESS OTHERWISE SPECIFIED
TOLERANCES:
.xxx ± 0.010

Dimensions in Inch

SHEET 1 OF 2

P/N: XFATM9V-CAxu1-2MS REV. A

DWN. 罗振江 Apr-21-07


CHK. 廖玉坤 Apr-21-07

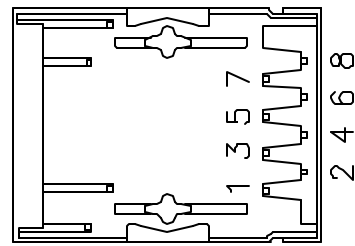
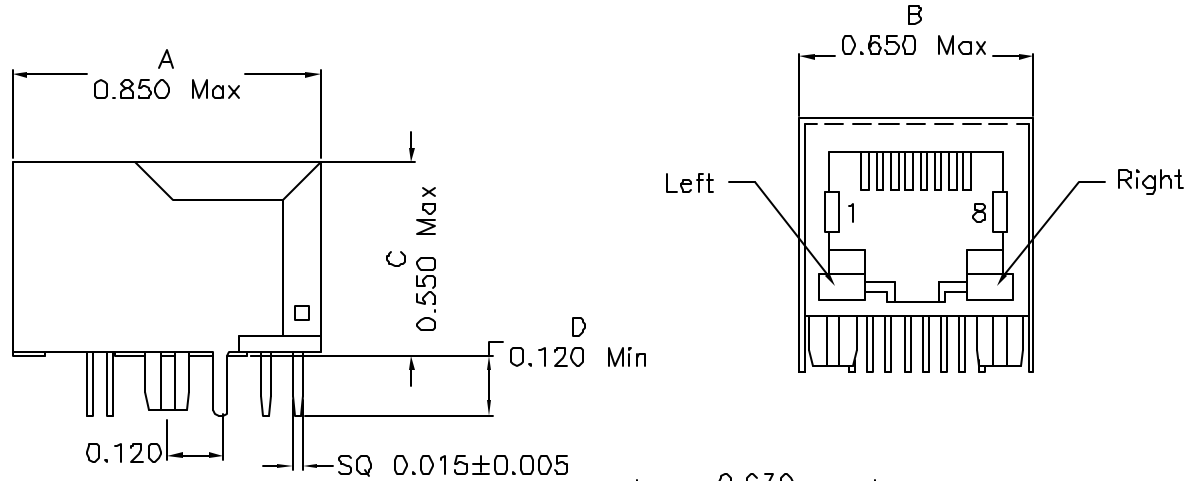
APP. MS Apr-21-07

PROPRIETARY:

Document is the property of XFMRs Group & is not allowed to be duplicated without authorization.

Mechanical Dimensions:

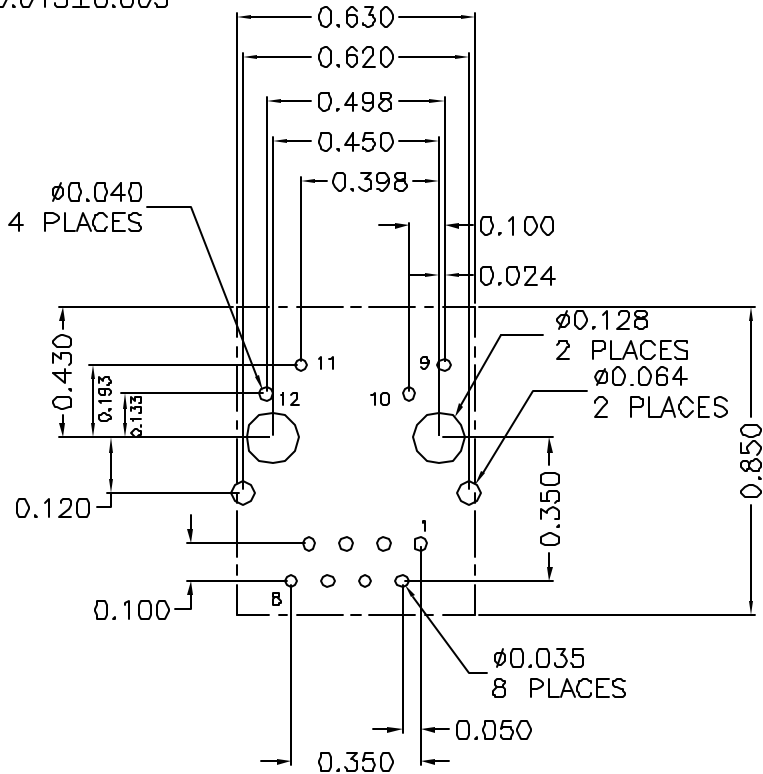
XFMR5 
 XFATM9V-
 CAxu1-2MS
 YYWW



(BOTTOM VIEW)

Mounting Pattern:

(COMP SIDE)



XFMR5 Inc. www.XFMR5.com	Title: Mechanical Dimensions For CAxu1-2MS Series		
	UNLESS OTHERWISE SPECIFIED TOLERANCES: .xxx ±0.010 Dimensions in Inch	P/N: XFATM9V-CAxu1-2MS	REV. A
	DWN.	Juan Mao	Apr-21-07
	CHK.	YK liao	Apr-21-07
SHEET 2 OF 2	APP.	MS	Apr-21-07

DOC. REV: A/3

PROPRIETARY:

Document is the property of XFMR5 Group & is not allowed to be duplicated without authorization.