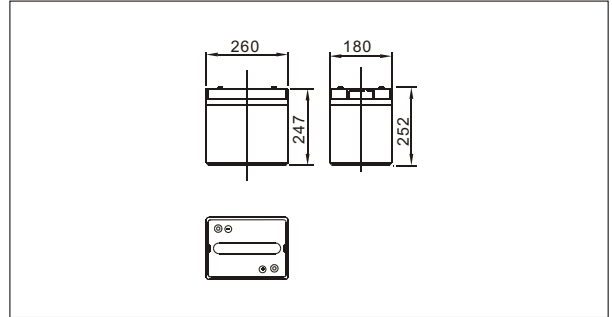




# Sw62250(6V225AH)(C20)



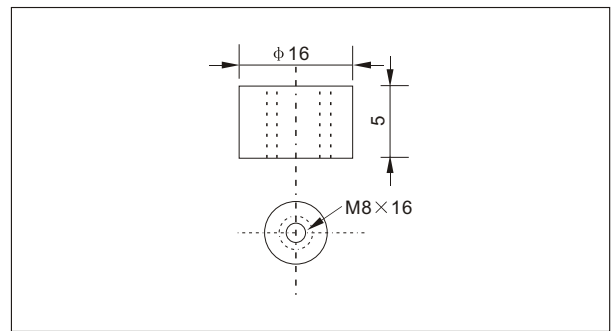
## Outer dimensions (mm)



## Specifications

Nominal Voltage		6V
Rated capacity (20 hour rate)		225 Ah
Dimensions	Total Height	252 mm (9.92 inches)
	Height	247 mm (9.72 inches)
	Length	260 mm (10.2 inches)
	Width	180mm (7.09 inches)
Weight Approx		29.5Kg (65.2lbs)

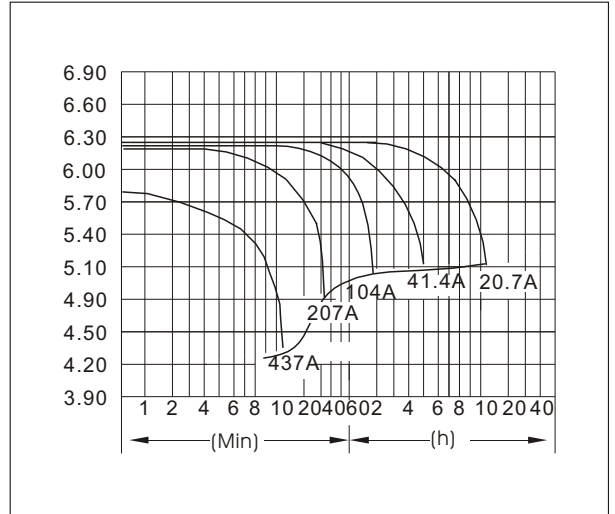
## Terminal Type (mm)



## Characteristics

Capacity 25°C(77°F)	20 hour rate(11.25 A) 5 hour rate(33.2 A) 1 hour rate(124 A)	225 AH 166 AH 124 AH
Internal Resistance	Full charged Battery at 25°C(77°F)	Approx 1.3 mΩ
Capacity affected by Temperature (10hour rate)	40°C(104°F) 25°C(77°F) 0°C(32°F) -15°C(5°F)	102% 100% 85% 65%
Self-Discharge at 25°C(77°F)	Capacity after 3 month storage Capacity after 6 month storage Capacity after 12 month storage	91% 82% 64%
Terminal		T19
Charge (constant Voltage)	Cycle	Initial Charging Current less than 82.8 A Voltage 7.05-7.2V
	Float	Voltage 6.75-6.90V

## Discharge Curves 25°C(77°F)



Constant Current(Amp) and Constant Power(Watt) Discharge Table at 25°C(77°F)

Time		5min	10min	15min	30min	1h	2h	3h	4h	5h	8h	10h	20h
4.80V	A	663	437	352	236	124	72.5	53.2	41.4	34.2	24.2	21.7	11.7
	W	3421	2332	1888	1269	671	397.8	296.1	232.9	194.2	138.8	125.5	68.2
5.10V	A	642	394	332	226	117	69.1	51.8	40.4	33.5	23.6	21.3	11.4
	W	3429	2200	1855	1266	660	398.4	299.6	234.7	195.5	138.0	125.2	66.8
5.25V	A	621	353	290	211	113	67.5	50.5	39.7	33.1	23.4	20.9	11.4
	W	3392	2005	1655	1215	654	391.3	294.3	232.5	194.1	137.5	123.7	67.3
5.40V	A	599	332	270	195	109	65.8	49.3	39.1	32.3	22.8	20.7	11.2
	W	3358	1916	1552	1127	636	385.5	290.4	231.0	190.8	134.9	123.0	66.6
5.55V	A	579	311	249	174	106	64.2	47.6	38.1	31.5	22.1	19.7	10.6
	W	3280	1803	1448	1017	621	379.2	282.8	226.8	187.7	132.6	118.7	64.0