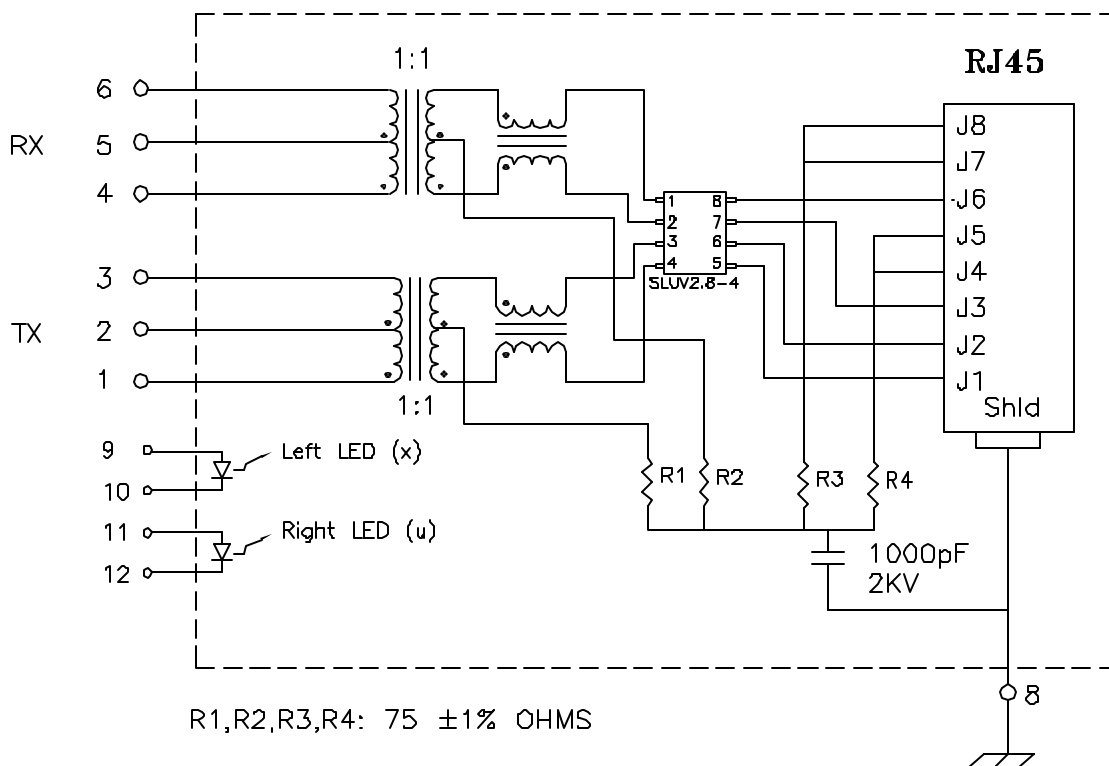


## Schematic:



## Electrical Specifications: @25°C

Isolation Voltage: 1500 Vac

Isolation Voltage: 500 Vac (P1+2+3 to P4+5+6)

UTP SIDE OCL: 350uH Min @100KHz 100mV 8mADC

Leakage Inductance: P6-P4 0.3uH Max @1MHz 100mV Short J6 and J3

Leakage Inductance: P3-P1 0.3uH Max @1MHz 100mV Short J2 and J1

C<sub>ww</sub>: (P6, P5, & P4) to (J6 & J3) 30pF Typ @100KHz 0.1V

C<sub>ww</sub>: (P3, P2, & P1) to (J2 & J1) 30pF Typ @100KHz 0.1V

DCR: (J6-J3) = (J2-J1) 1.2 Ohms Max

Rise Time (10-90%): 2.5ns Typ

Insertion Loss (100KHz-100MHz): -1.2dB Max

Return Loss: -18dB Min @1MHz - 30MHz

Return Loss: -12dB Typ @60MHz - 80MHz

Crosstalk: 30dB Typ @1MHz to 100MHz

Common Mode to Differential Mode Rejection:

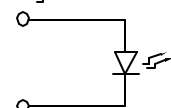
1MHz-100MHz -35dB Typ (Tx) / -35dB Typ (Rx)

Complete the Combo P/N as follows:

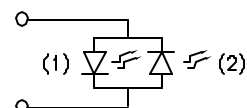
Replace 'x' & 'u' in the part number with one of the LED color letters:

Y=Yellow  
G=Green  
A=Amber  
R=Red  
C=Green(1)/Amber(2) Bicolor  
D=Amber(1)/Green(2) Bicolor  
M=Green(1)/Yellow(2) Bicolor  
N=Yellow(1)/Green(2) Bicolor  
P=Red(1)/Green(2) Bicolor  
Q=Green(1)/Red(2) Bicolor

Single Color LED:



Bi-Color LED:



### Notes:

- Solderability: Leads shall meet MIL-STD-202, Method 208D for solderability.
- Flammability: UL94V-0
- ASTM oxygen Index: > 28%
- Insulation System: Class F 155°C, UL file E151556
- Operating Temperature Range: All listed parameters are to be within tolerance from -40°C to +85°C
- Storage Temperature Range: -55°C to +125°C
- Aqueous wash compatible
- Electrical and mechanical specifications 100% tested
- RoHS Compliant Component

DOC. REV: A/4

**XFMRs Inc.**  
www.XFMRs.com

Title:

**SINGLE PORT COMBO**

UNLESS OTHERWISE SPECIFIED

TOLERANCES:

.xxx ±0.010

Dimensions in Inch

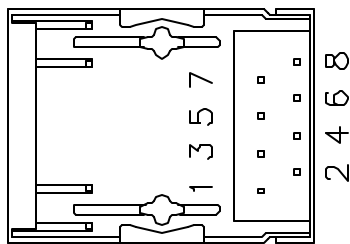
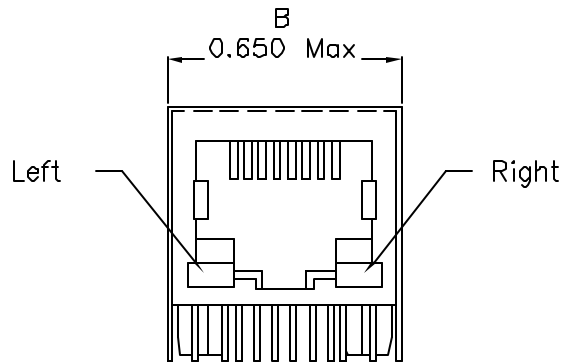
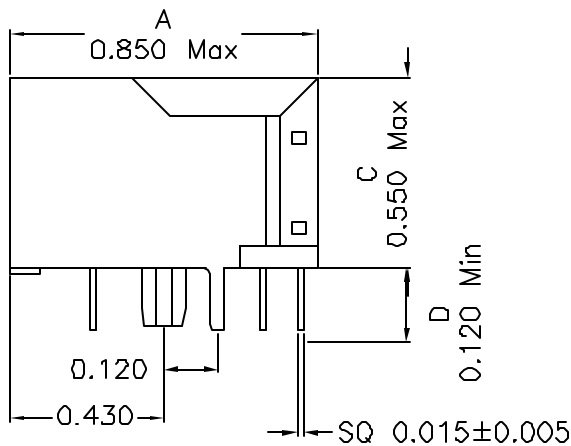
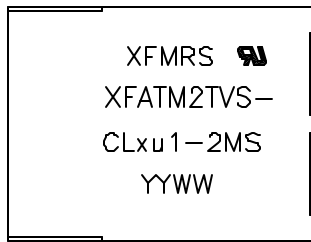
SHEET 1 OF 2

P/N: XFATM2TVS-CLxu1-2MS		REV. A
DWN.	Juan Mao	Jan-04-08
CHK.	YK Liao	Jan-04-08
APP.	BW	Jan-04-08

**PROPRIETARY:**

Document is the property of XFMRs Group & is not allowed to be duplicated without authorization.

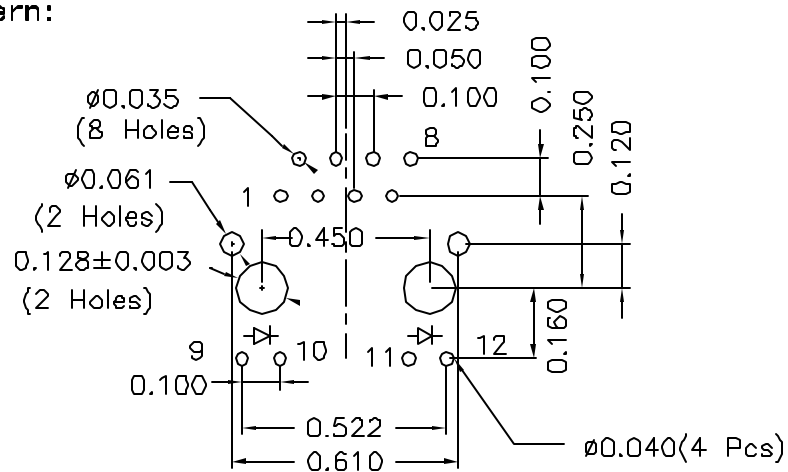
### Mechanical Dimensions:



(BOTTOM VIEW)

### Mounting Pattern:

(COMP SIDE)



<b>XFMRs Inc.</b> www.XFMRS.com	Title: <b>SINGLE PORT COMBO</b>		
	UNLESS OTHERWISE SPECIFIED	P/N: XFATM2TVS-CLxu1-2MS	REV. A
TOLERANCES: .xxx ±0.010	DWN.	Juan Mao	Jan-04-08
Dimensions in Inch	CHK.	YK Liao	Jan-04-08
SHEET 2 OF 2	APP.	BW	Jan-04-08

DOC. REV: A/4

**PROPRIETARY:**

Document is the property of XFMRs Group & is not allowed to be duplicated without authorization.