

MTTBS Series – 5 x 3.2 Ceramic SMD VCTCXO



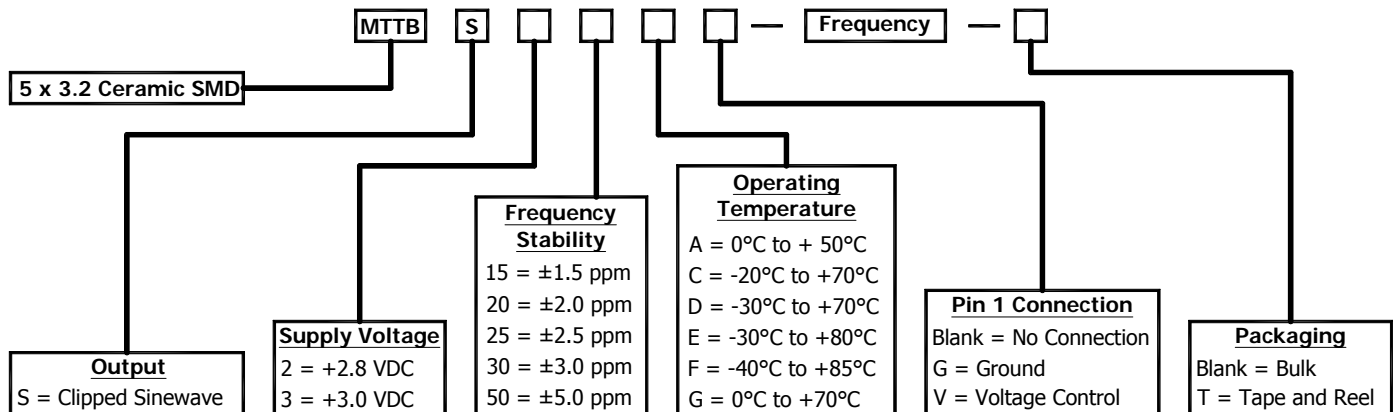
- Low Profile SMD Device
- Hermetically Sealed
- Tight Stability Over Temperature
- Low Power Consumption



ELECTRICAL SPECIFICATIONS:

Frequency Range	10.000MHZ to 32.000MHZ	
Frequency Stability vs Temperature*	(See Frequency Stability vs Temperature Table)	
Operating Temperature Range	(See Frequency Stability vs Temperature Table)	
Storage Temperature Range	-40°C to +85°C	
Supply Voltage (±10%)	+2.80VDC	+3.00VDC
Supply Current	1.5mA max	
Output Type	Clipped Sinewave	
Output Level	0.9 – 1.4 Vp-p	
Load	10k Ohms // 10pF	
Harmonics	-10dBc max	
Control Voltage	Vc = +1.40VDC +0.40VDC to +2.40VDC	Vc = +1.5VDC +0.50VDC to +2.50VDC
Frequency Tuning Range	±3 ppm to ±25 ppm	
Phase Noise	-135dBc/Hz max (at 1kHz offset)	
Start-up Time	2ms max (Output level will be 90% from the final value)	
* Inclusive of Temperature., Load, Voltage and Aging		

PART NUMBER GUIDE:



Please Consult with MMD Sales Department for any other Parameters or Options

MMD Components, 30400 Esperanza, Rancho Santa Margarita, CA, 92688
 Phone: (949) 709-5075, Fax: (949) 709-3536, www.mmdcomp.com
 Sales@mmdcomp.com

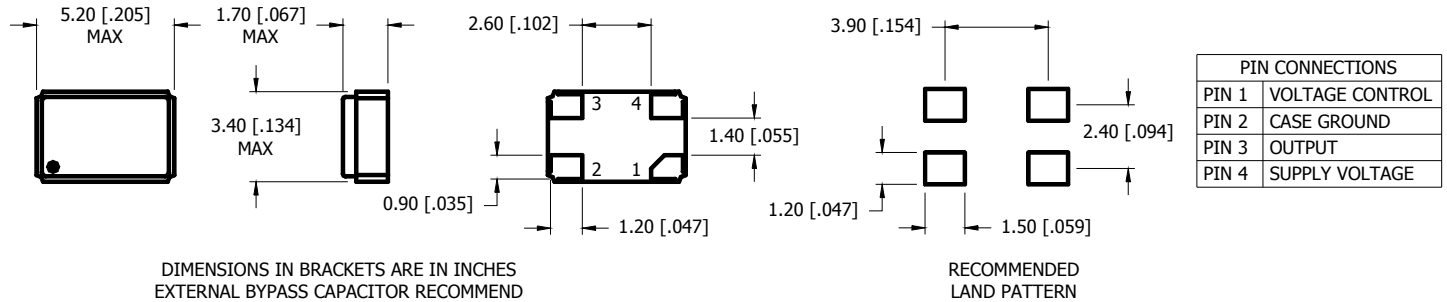
FREQUENCY STABILITY vs TEMPERATURE TABLE:

Code	Stability	15	20	25	30	50
	Temp	±1.5ppm	±2.0ppm	±2.5ppm	±3.0ppm	±5.0ppm
A	0°C TO +50°C	●	●	●	●	●
G	0°C TO +70°C	●	●	●	●	●
C	-20°C TO +70°C	●	●	●	●	●
D	-30°C TO +70°C	●	●	●	●	●
E	-30°C TO +80°C	□	□	●	●	●
F	-40°C TO +85°C	□	□	□	□	□

● = Available

□ = Consult with the Manufacturer

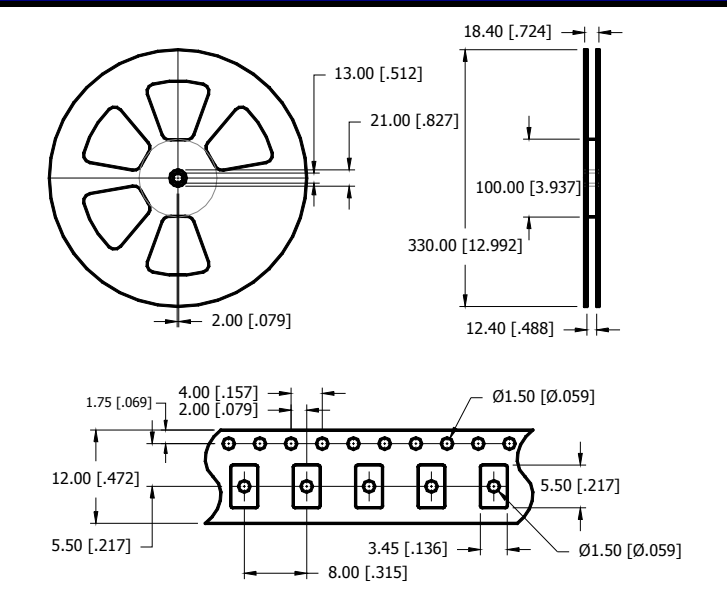
MECHANICAL DIMENSIONS:



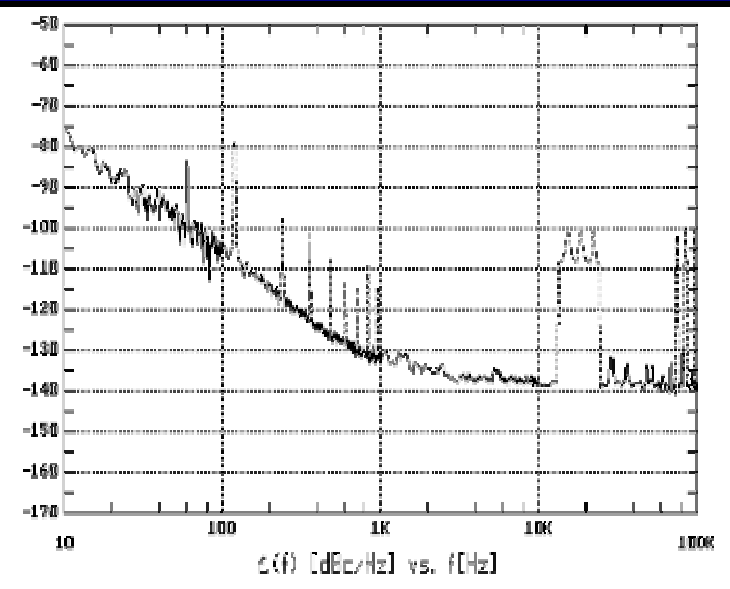
ENVIRONMENT / MECHANICAL:

Shock	MIL-STD-883, Method 2002, Condition B
Solderability	MIL-STD-883, Method 2003
Solvent Resistance	MIL-STD-883, Method 215
Vibration	MIL-STD-883, Method 2007, Condition A
Gross Leak Test	MIL-STD-883, Method 1014, Condition C
Fine Leak Test	MIL-STD-883, Method 1014, Condition A-2

TAPE and DIMENSIONS:



PHASE NOISE:



MMD Components, 30400 Esperanza, Rancho Santa Margarita, CA, 92688
 Phone: (949) 709-5075, Fax: (949) 709-3536, www.mmdcomp.com
 Sales@mmdcomp.com