

Silicon Power Transistors

BUL6825

DESCRIPTION

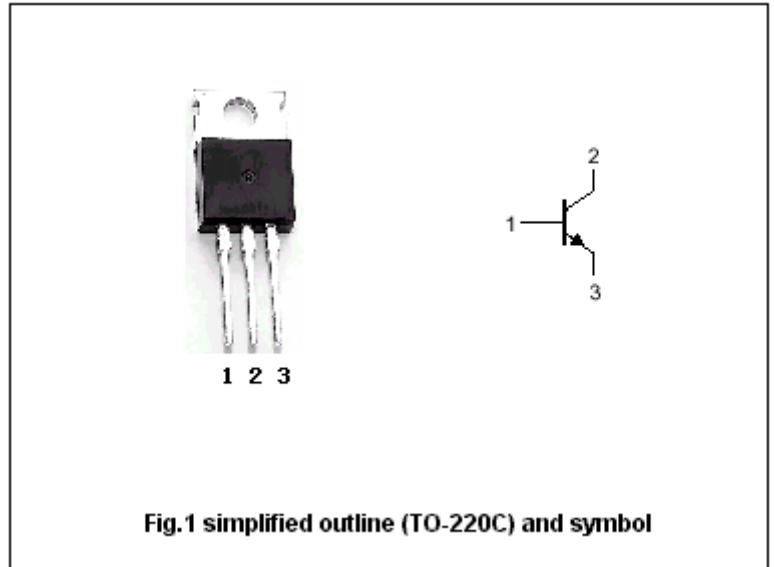
- High voltage ,high speed
- With TO-220C package

APPLICATIONS

- Relay drivers
- Inverters
- Switching regulators
- Deflection circuits

PINNING

PIN	DESCRIPTION
1	Base
2	Collector;connected to mounting base
3	emitter



LIMITING VALUES

SYMBOL	PARAMETER	CONDITIONS	VALUE	UNIT
V _{CBO}	Collector-base voltage	Open emitter	700	V
V _{CEO}	Collector-emitter voltage	Open base	400	V
V _{EBO}	Emitter-base voltage	Open collector	9	V
I _C	Collector current (DC)		4	A
I _{CM}	Collector current-Peak		8	A
I _B	Base current		2	A
I _{BM}	Base current-Peak		4	A
P _D	Total power dissipation	T _a =25	2	W
P _D	Total power dissipation	T _C =25	75	W
T _j	Junction temperature		150	
T _{stg}	Storage temperature		-65~150	

THERMAL CHARACTERISTICS

SYMBOL	PARAMETER	VALUE	UNIT
R _{th j-C}	Thermal resistance from junction to case	1.67	/W

Silicon Power Transistors**BUL6825****CHARACTERISTICS**T_j=25 unless otherwise specified

SYMBOL	PARAMETER	CONDITIONS	MIN	TYP.	MAX	UNIT
V _{CEO(SUS)}	Collector-emitter sustaining voltage	I _C =10mA I _B =0	400			V
V _{CEsat-1}	Collector-emitter saturation voltage	I _C =1A I _B =0.2A			0.5	V
V _{CEsat-2}	Collector-emitter saturation voltage	I _C =2A I _B =0.5A T _C =100			0.6 1.0	V
V _{CEsat-3}	Collector-emitter saturation voltage	I _C =4A I _B =1A			1.0	V
V _{BEsat-1}	Emitter-base saturation voltage	I _C =1A I _B =0.2A			1.2	V
V _{BEsat-2}	Emitter-base saturation voltage	I _C =2A I _B =0.5A T _C =100			1.6 1.5	V
I _{CBO}	Collector cut-off current	V _{CB} =700V I _E =0 T _C =100			1.0 5.0	mA
I _{EBO}	Emitter cut-off current	V _{EB} =9V; I _C =0			1.0	mA
h _{FE-1}	DC current gain	I _C =1A; V _{CE} =5V	10		60	
h _{FE-2}	DC current gain	I _C =2A; V _{CE} =5V	8		40	
f _T	Transition frequency	I _C =0.5A; V _{CE} =5V	4			MHz
C _{OB}	Collector outoput capacitance	f=1MHz; V _{CB} =10V		65		pF

Switching times resistive load

t _d	Delay time	V _{CC} =125V, I _C =2A I _{B1} =- I _{B2} =0.4A t _p =25 μs duty cycle 1%			0.1	μs
t _r	Rise time				0.7	μs
t _s	Storage time				4.0	μs
t _f	Fall time				0.9	μs

Silicon Power Transistors

BUL6825

PACKAGE OUTLINE

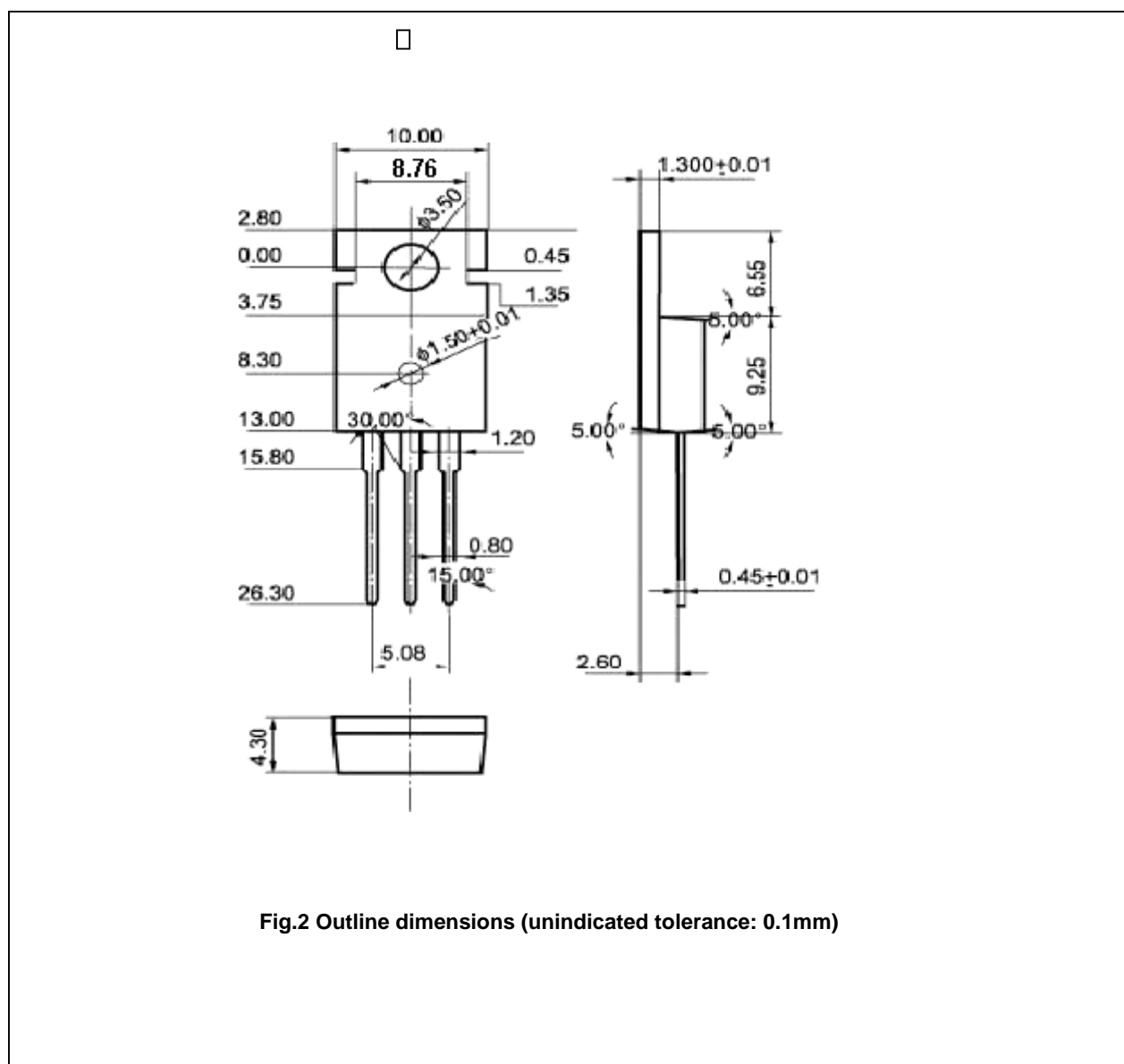


Fig.2 Outline dimensions (unindicated tolerance: 0.1mm)