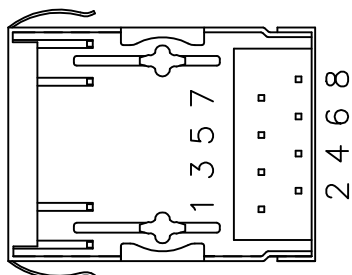
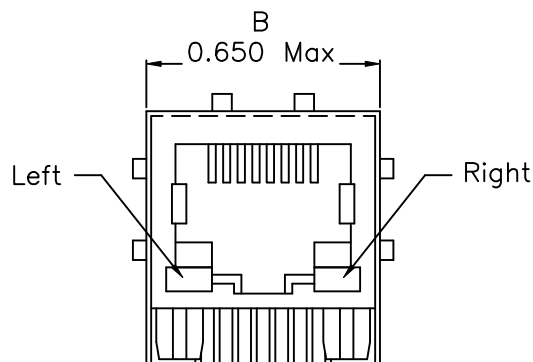
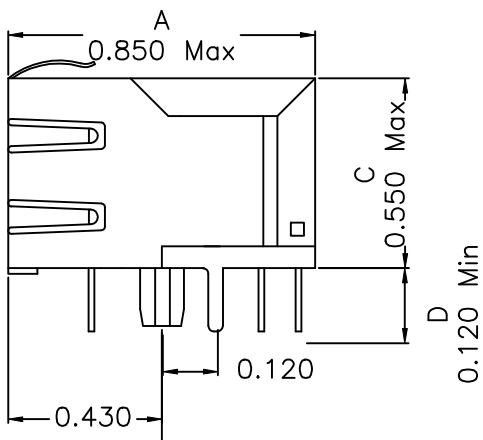
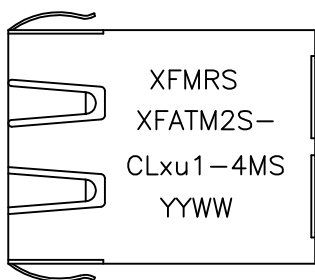


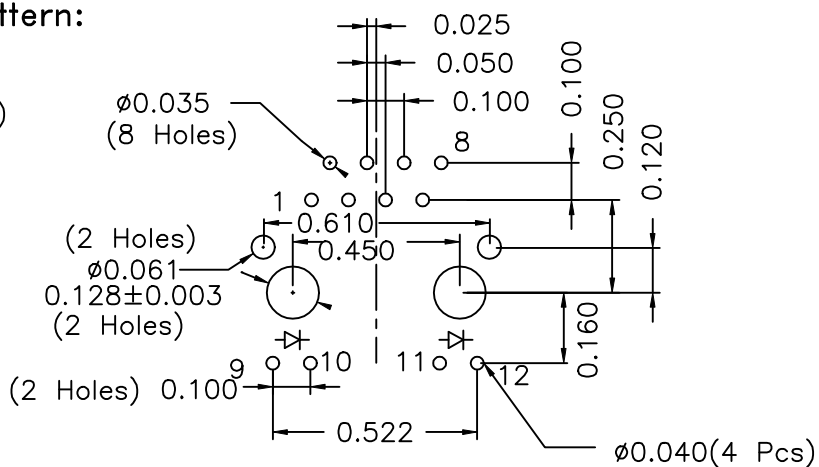
Mechanical Dimensions:



(BOTTOM VIEW)

Mounting Pattern:

(COMP SIDE)



XFMRS Inc.		Title: Mechanical Dimensions For CLxu1-4MS Series	
UNLESS OTHERWISE SPECIFIED TOLERANCES: .xxx ±0.010 Dimensions in Inch	P/N: XFATM2S-CLxu1-4MS	REV. A	
	DWN.	李小锋	Apr-28-03
SHEET 2 OF 2	CHK.	康玉坤	Apr-28-03
	APP.	MS	Apr-28-03

DOC. REV: A/2