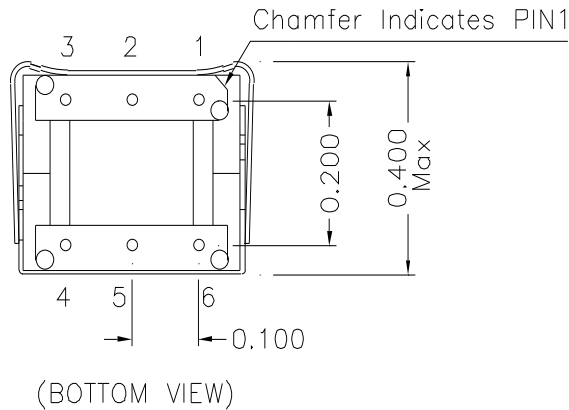
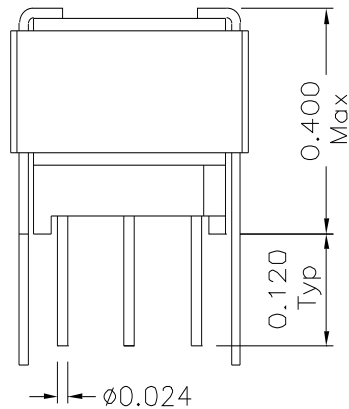
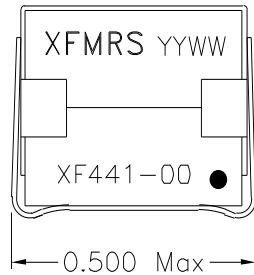
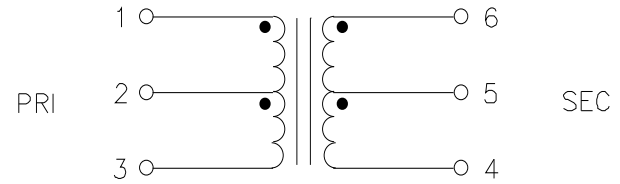


1. Mechanical Dimensions:



2. Schematic:



3. Electrical Specifications: @25°C

Isolation Voltage: 1000VAC (PRI to SEC)&(PRI&SEC to CORE)

Turn Ratio: 1 : 1 (PRI:SEC)

PRI. OCL: 40mH Minimum @1KHz 1.0V

PRI LL: 43uH Maximum @10KHz 0.1V (SEC Shorted)

PRI DCR: 5.12 Ohms $\pm 15\%$

SEC DCR: 6.0 Ohms $\pm 15\%$

LONG. BAL.: 1K-15KHz -40dB Minimum

15KHz-100KHz -35dB Minimum

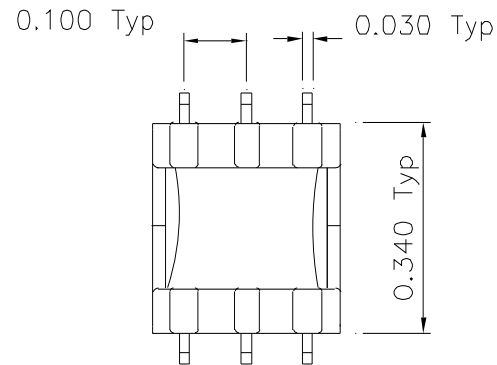
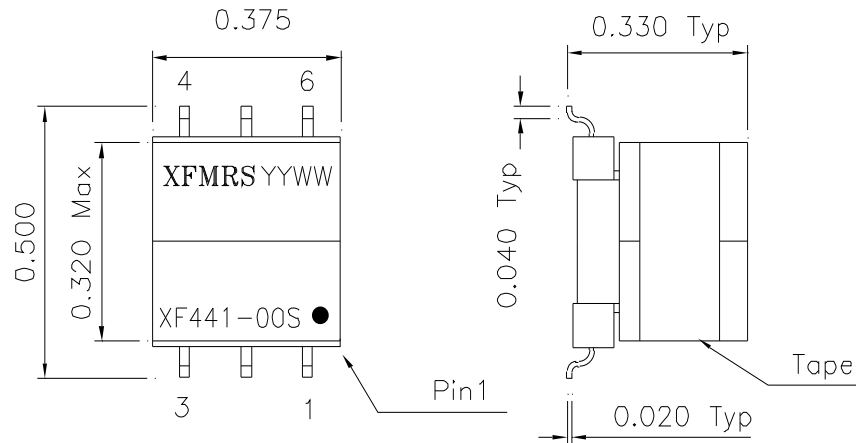
@PIN6 GROUNDED

DOC. REV A/1

THIS DOCUMENT IS STRICTLY NOT ALLOWED TO BE DUPLICATED WITHOUT AUTHORIZATION

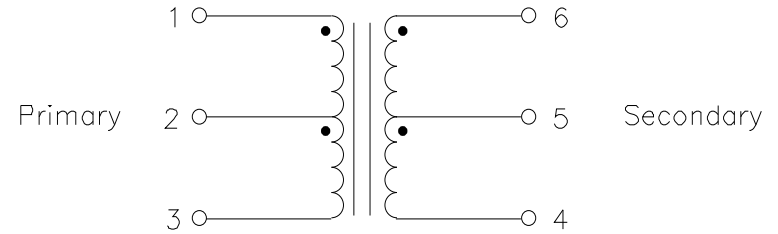
| | | |
|---|--------------------|-----------------------|
| XFMRS Inc | Title: TRANSFORMER | |
| | P/N: XF441-00 | REV. A |
| UNLESS OTHERWISE SPECIFIED TOLERANCES: .xxx ± 0.005 Dimensions in INCH | DWN. | 李清儿 May-13-99 |
| | CHK. | 孙小松 May-13-99 |
| | APP. | Joe Huff May-13-99 |
| SCALE 2.5:1 SHT 1 OF 1 | | |

1. Mechanical Dimensions:



BOTTOM VIEW

2. Schematic:



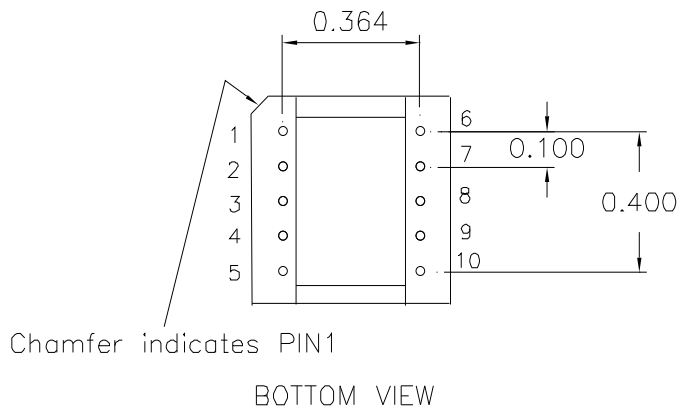
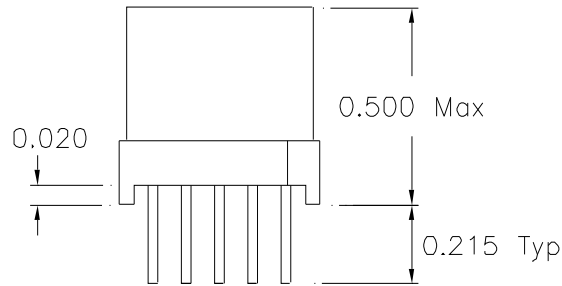
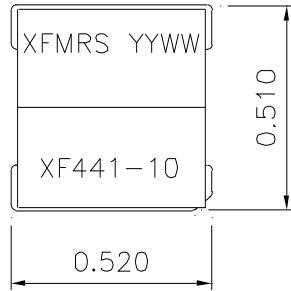
3. Electrical Specifications:

- Turns Ratio : 1 : 1 ±1% (PRI:SEC)
- Isolation Voltage: 1000VAC (PRI to SEC)
- Pri. LL : 43uH Max. @10KHz , 0.1V (Sec Shorted)
- Pri. OCL: 40mH Min. @1KHz ,1.0V
- Pri. DCR: 5.12 Ohms ±15%
- Sec. DCR: 6.0 Ohms ±15%
- Long. Bal. : 1K-15KHz -40dB Min.
15K-100KHz -35dB Min.
@Pin6 Grounded

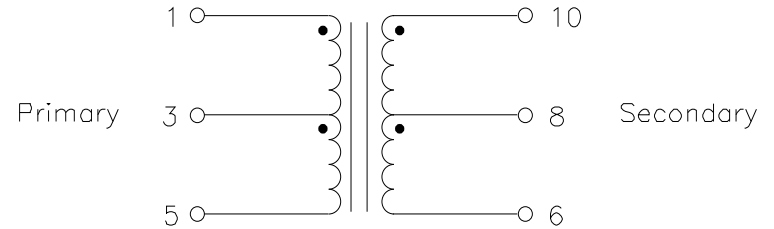
DOC. REV A/1

| | | |
|--|--------------------|--------------------|
| XFMRS Inc | Title: TRANSFORMER | |
| | P/N: XF441-00S | REV. A |
| UNLESS OTHERWISE SPECIFIED TOLERANCES: .xxx ±0.010 Dimensions in INCH | DWN. | 李清儿 May-13-99 |
| | CHK. | 孙小松 May-13-99 |
| | APP. | Joe Huff May-13-99 |

1. Mechanical Dimensions:



2. Schematic:



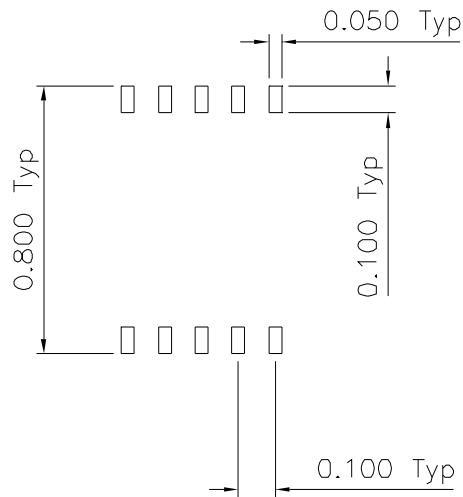
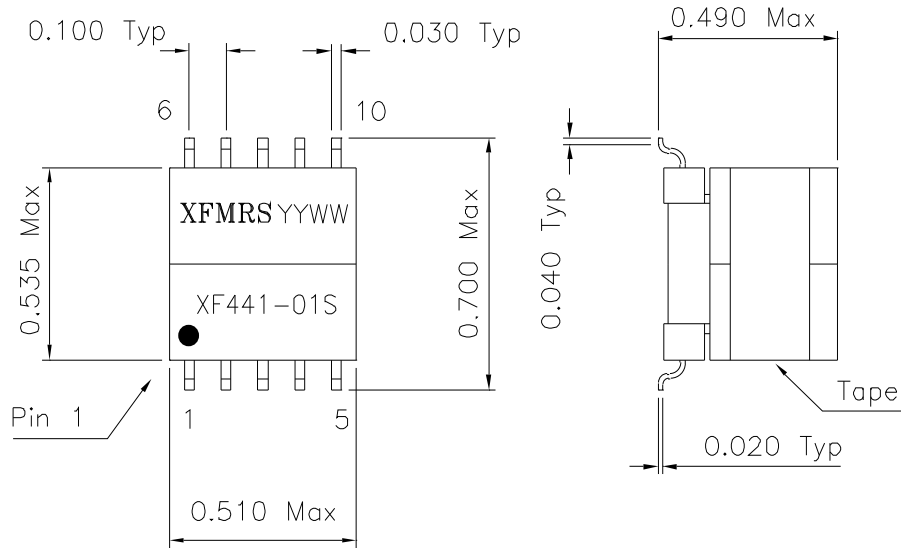
3. Electrical Specifications:

Turns Ratio : 1 : 1 ±1% (PRI:SEC)
 Isolation Voltage: 2000VAC (Pin1-10)
 PRI LL : 40uH Max. @10KHz , 0.1V (Sec Shorted)
 PRI OCL: 40mH Min. @1KHz ,1.0V
 PRI DCR: 2.87 Ohms ±15%
 SEC DCR: 5.92 Ohms ±15%
 LONG BAL. : 1K-15KHz -40dB Min.
 15K-100KHz -35dB Min.
 @Pin10 Grounded

DOC. REV A/1

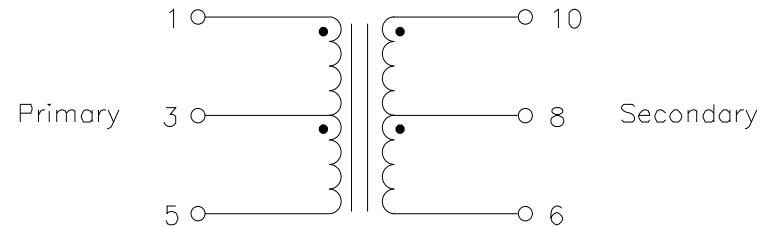
| | | |
|--|--------------------|--------------------|
| XFMRS | Title: TRANSFORMER | |
| | P/N: XF441-01 | REV. A |
| UNLESS OTHERWISE SPECIFIED TOLERANCES: .xxx ±0.010 Dimensions in INCH | DWN. | 李清儿 May-13-99 |
| | CHK. | 孙悦 May-13-99 |
| | APP. | Joe Huff May-13-99 |
| Scale 1.5:1 SHT 1 OF 1 | | |

1. Mechanical Dimensions:



Suggested PCB Layout

2. Schematic:



3. Electrical Specifications:

- Turns Ratio : 1 : 1 ±1% (PRI:SEC)
- Isolation Voltage: 2000VAC (Pin1-10)
- Pri. LL : 40uH Max. @10KHz , 0.1V (Sec Shorted)
- Pri. OCL: 40mH Min. @1KHz 1.0V
- Pri. DCR: 2.87 Ohms ±15%
- Sec. DCR: 5.92 Ohms ±15%
- Long. Bal. : 1K-15KHz -40dB Min.
 15K-100KHz -35dB Min.
 @Pin10 Grounded

DOC. REV A/1

| | | |
|---|--------------------|--------------------|
| XFMRS Inc | Title: TRANSFORMER | |
| | P/N: XF441-01S | REV. A |
| UNLESS OTHERWISE SPECIFIED TOLERANCES: .xx ±0.010 Dimensions in INCH | DWN. | 李清儿 May-13-99 |
| | CHK. | 孙小松 May-13-99 |
| | APP. | Joe Huff May-13-99 |