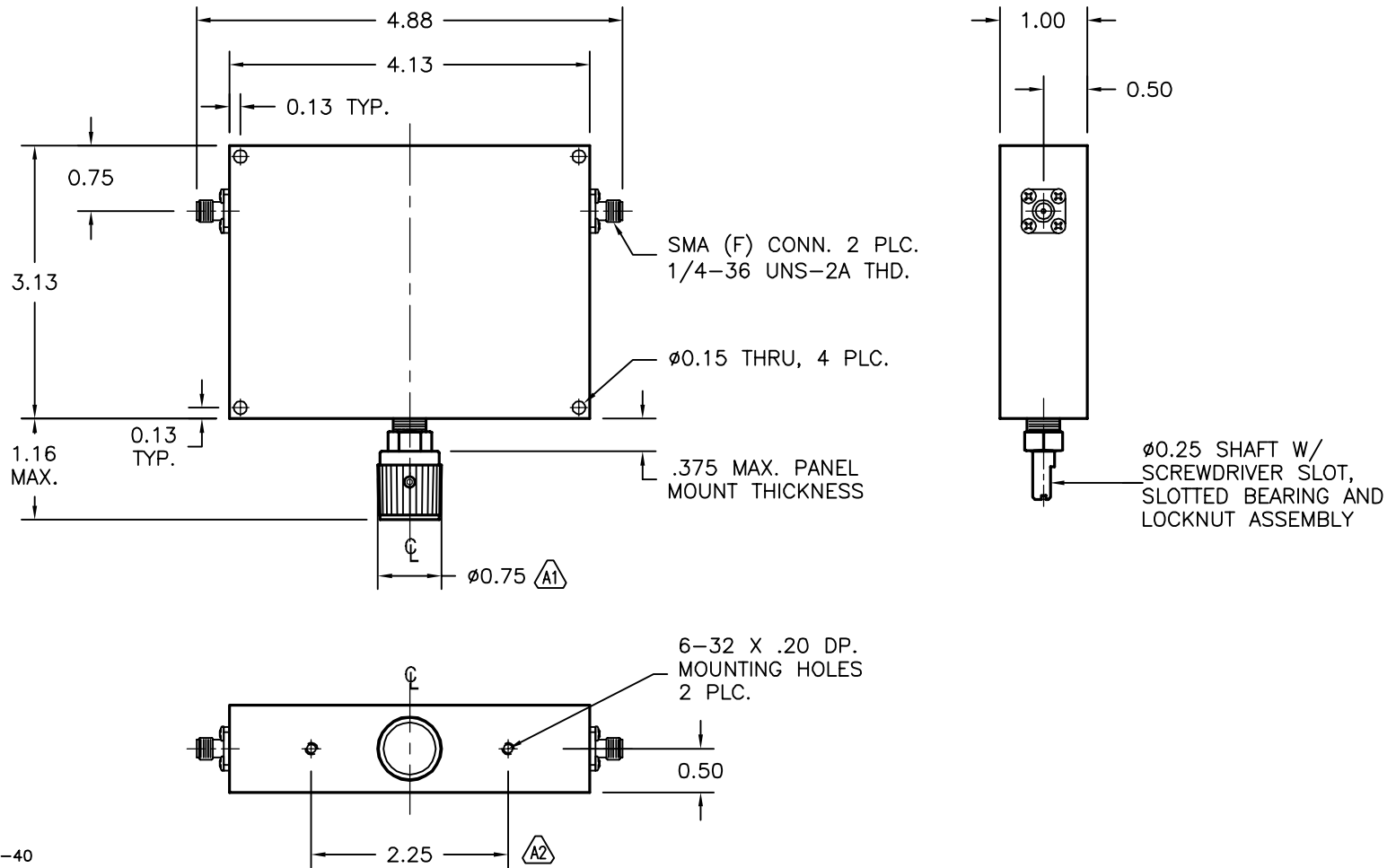


REV -	AUTH RTK	DATE 04/19/00	INITIAL RELEASE
REV A	AUTH RL	DATE 07/25/06	FORMAT UPDATE; SPECS ADDED, $\triangle A1$ KNOB WAS $\phi 1.25"$ $\triangle A2$ WAS: 3.00"



**MODEL SPECIFICATIONS**

**MECHANICAL**

MODEL NUMBER(S): AV262D-40  
AV262E-40

MATERIAL:  
BODY: 6061/T-6 ALUM.  
CONNECTORS: STAINLESS STEEL  
FINISH: UNIQUE CORROSION RESISTANT  
316 STAINLESS STEEL EPOXY COATING

CONNECTORS: SMA-FEMALE

**ELECTRICAL**

FREQ. RANGE:  
AV262D-40 0.85 - 2.5 GHz  
AV262E-40 0.85 - 4.0 GHz

VSWR: 1.5 MAX.

ATTENUATION RANGE: 40dB

INSERTION LOSS: 0.5dB MAX.

THIRD ANGLE PROJECTION:		APPROVALS	DATE	ADVANCED TECHNICAL MATERIALS, INC. TEL: (631) 289-0363 FAX: (631) 289-0358 www.atmmicrowave.com		<small>THE INFORMATION IN THIS DRAWING IS PROPRIETARY AND SHALL NOT BE USED OR DISCLOSED WITHOUT THE PRIOR WRITTEN CONSENT OF ATMI, INC. DO NOT SCALE DWG.</small>	
UNLESS OTHERWISE NOTED, DIMENSIONS ARE IN INCHES, TOLERANCES ARE: FRACTIONS: $\pm 1/64$ ANGLES: $\pm 1/2^\circ$		DRAWN RL	07/25/06				
		CHKD.					
		APRVD.					
BASIC DIMENSION	DECIMALS 2 PLACE	3 PLACE	MATERIAL SEE SPECS				
UNDER 6"	$\pm .02$	$\pm .005$	TREATMENT -				
6" - 12"	$\pm .03$	$\pm .010$	FINISH SEE SPECS				
OVER 12"	$\pm .06$	$\pm .015$					
SIZE A	CAGE CODE 0R8N4	ATM DWG #	2632W		REVISION A		
SCALE 1 : 2	MODEL #	SEE SPECS		SHEET 1/1			