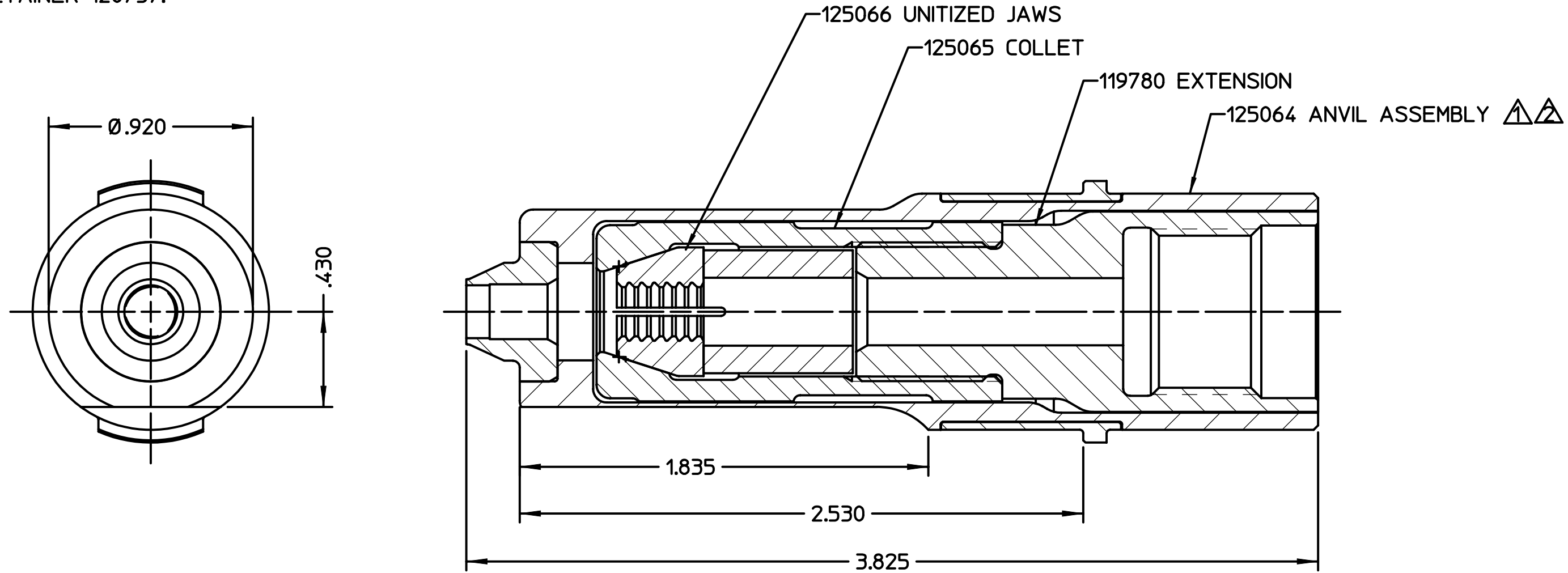


REV	DESCRIPTION	DATE
A	RELEASE	02-14-96
B	CORRECTED NOTE 1 & 2 ANVIL ASSEMBLY 125064 WAS 124064, 125063 ANVIL HOLDER ASSEMBLY WAS 124063 & 125062 ANVIL HOLDER WAS 124062	02/09/05

NOTES:

- ② ⚠ ANVIL ASSEMBLY 125064 CONSISTS OF:  
ANVIL HOLDER ASSEMBLY 125063 AND  
ANVIL INSERT 119841.
- ② ⚠ ANVIL HOLDER ASSEMBLY CONSISTS OF:  
ANVIL HOLDER 125062 AND  
RETAINER 120737.



FORM: KE104 REV C		By accepting this proprietary Huck drawing, recipient agrees not to reproduce or disclose any part thereof to any others without the written permission of Huck International, Inc.			
MATERIAL:	-	SPEC:	TOLERANCES UNLESS OTHERWISE SPECIFIED:	HUCK INTERNATIONAL, INC., I.S.D. 85 GRAND STREET, P.O. BOX 2270 KINGSTON, NEW YORK 12401	
HARDNESS:	-	(RAW OR STOCKED STATE)	(ALL DIMENSIONS ARE IN INCHES)		
HEAT TREAT TO:	-	SPEC:	.XX, .XXX ±	NOSE ASSEMBLY -10 BLIND BOLT	
SURFACE TREAT:	-	SPEC:	INT. COR. RADII		
SURFACE FINISH NOT TO EXCEED: Ra		BREAK EDGES		DET: CHR	CK: DATE: 02/09/05 SCALE: 2/1
IDENTIFICATION PER SPEC 42-311: ★ ETCH			ANGLES ±	FOC.	B 99-2719
SURFACES TO BE ○.//.⊕.⊥. & □ WITHIN T.I.R.			FINAL ASSY: 353	FAC.	