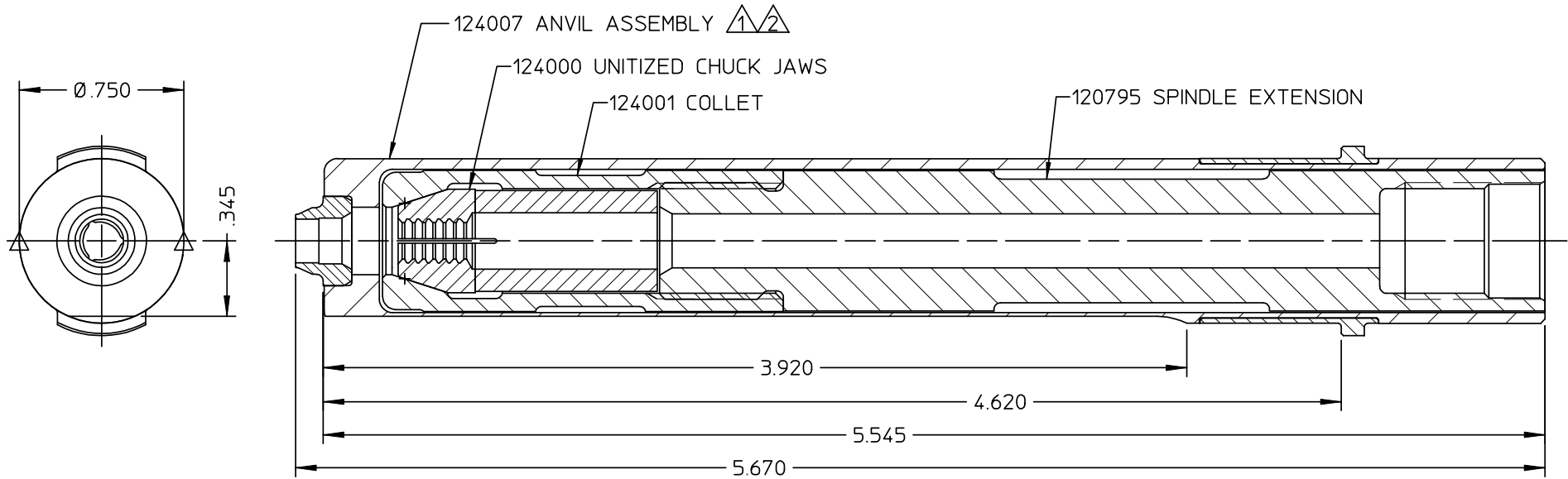


DATA SHEET



NOTES:

① ANVIL ASSEMBLY 124007 CONSISTS OF:
ANVIL HOLDER ASSEMBLY 124006,
ANVIL INSERT 119377.

② ANVIL HOLDER ASSEMBLY 124006 CONSISTS OF:
ANVIL HOLDER 124005 AND
RETAINER 120738.

Alcoa Fastening Systems

Commercial Products
1 Corporate Drive, Kingston, NY 12401

NOSE TYPE:	NON-SELF-RELEASING
FASTENER TYPE:	-08 BB
TOOL(S):	202, 212, 352, 2400, 2480

Notes: Product Revision: **A**

US Patent: Date: 06/16/03

99-2714

Part Number