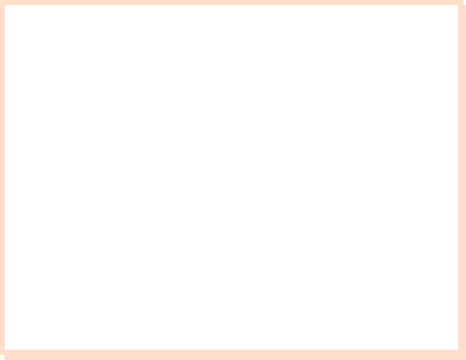


10 Base-T Isolation Transformer with Common Mode Choke

EPE6130S



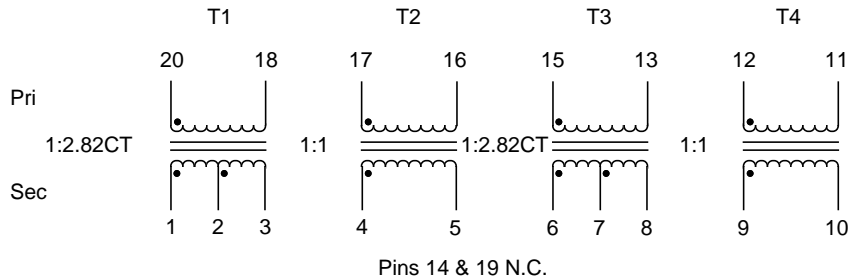
- Isolation Transformer •
- Robust design allows for toughest soldering process. •

Electrical Parameters @ 25° C

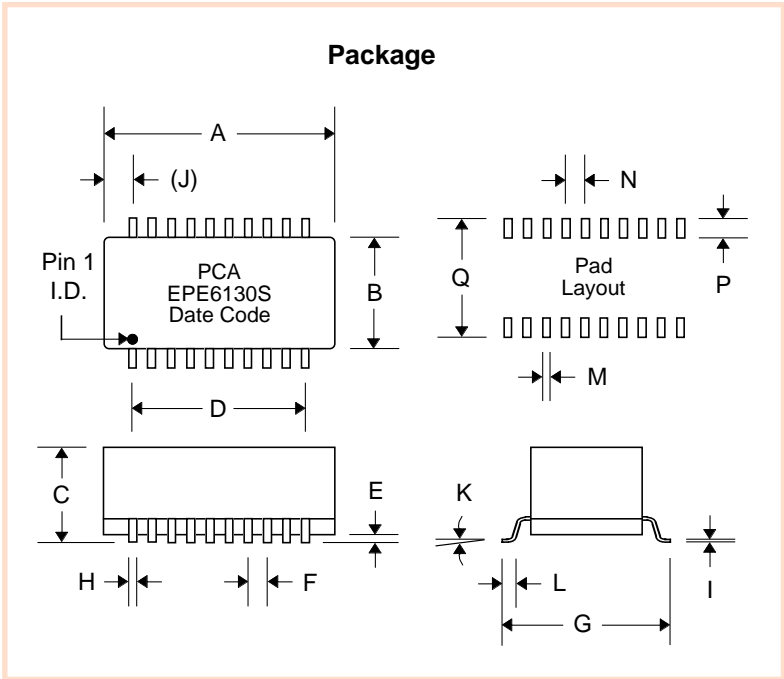
OCL (μ H Min.)(1)	Interwinding Capacitance (pF Max.)(1)	Leakage Inductance (μ H Max.)(1)	Hipot (Vrms)	Primary DCR (Ω Max.)
200	15	0.4	1500	0.30

Notes: 1) @ 100 KHz, 100 m Vrms.

Schematic



Package



Dimensions

Dim.	(Inches)			(Millimeters)		
	Min.	Max.	Nom.	Min.	Max.	Nom.
A	.580	.600		14.73	15.24	
B	.290	.310		7.37	7.87	
C	.240	.260		6.10	6.60	
D	.450	Typ.		11.43	Typ.	
E	.003	.020		.076	.508	
F	.050	Typ.		1.27	Typ.	
G	.410	.430		10.41	10.92	
H	.016	.021		.406	.533	
I	.010	Typ.		.254	Typ.	
(J)	.070	Typ.		1.78	Typ.	
K	0°	8°		0°	8°	
L	.015	.035		.381	.889	
M			.030			.762
N			.050			1.27
P			.090			2.29
Q			.460			11.68