

# Half Pitch Low Profile Connectors

## DHF Series



### OUTLINE

DHF series is a half pitch interface connector which is low profile EMI shielded for small and high density applications.

### FEATURE

- Low profile, 3mm thinner than DHA series connector
- "D" shaped shell polarization to prevent from mis-mating.
- High reliable, scoop-proof cantilever contact design
- Plastic hood with inner shell for ESD protection
- One touch locking mechanism
- Easy termination by assembly tools

### SPECIFICATIONS

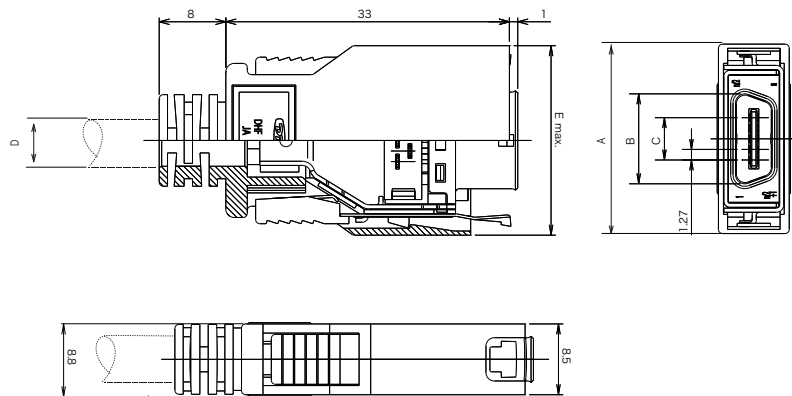
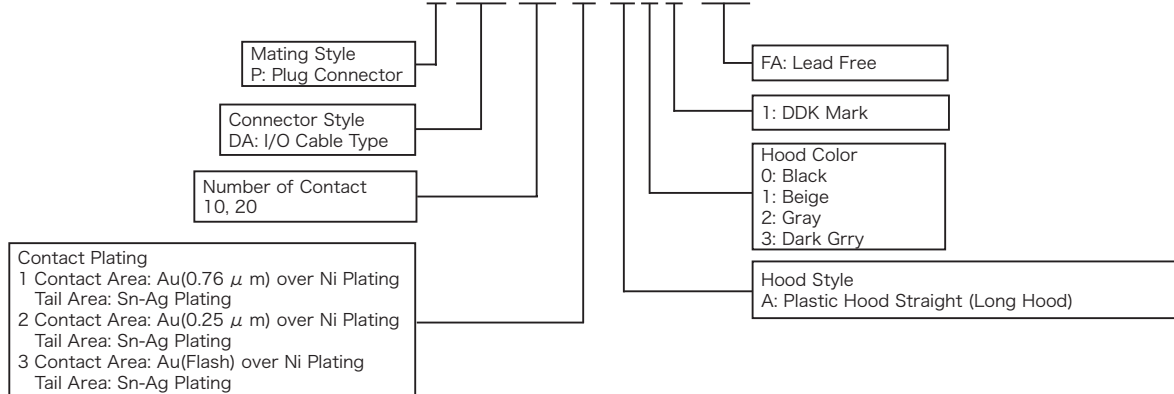
Rated Voltage	250V AC(r.m.s.)
Rated Current	0.5A / Contact
Dielectric Withstanding Voltage	500V AC(r.m.s.) at 1 minute
Insulation Resistance	500M $\Omega$ min. at 500V DC
Contact Resistance	35m $\Omega$ max.
Applicable Cable	AWG#28, 7 / 0.127 Stranded Cable $\phi$ 0.58mm

### MATERIAL / FINISH



Item	Material / Finish
Contact	Copper Alloy / Au Plating
Front Shell	Brass / Ni Plating
Insulator	LCP Resin or Polyamide Resin / Black
Cover	Polyamide Resin / Black
Inner Shell	Steel / Ni Plating
Hood	ABS Resin
Lock Lever	Stainless Steel + ABS Resin
Cable Clamp	Steel / Sn-Ag Plating
Locator	PBT Resin or LCP Resin / Black
Ground Tab	Copper Alloy / Ni Plating
Lock Screw and Nut	Steel / Ni Plating

© Specifications and/or dimensions in this catalogue are subject to change without notice.  
Your catalogue checking the latest specifications with our drawings would be highly appreciated.

**I/O Cable Plug Connector (Hood)**
**DHF-PDA10-3-A01-FA**


Part Number	Number of Contact	A	B	C	D	E (max.)
DHF-PDA10-□-A□1-FA	10	22.75	10.80	5.08	5.0	23.75
DHF-PDA20-□-A□1-FA	20	29.10	17.15	11.43	5.8	30.10

**Assembly Tools**

Assembly Tool	Part Number	Item	Part Number
DHF-HP □□-D □□ Assembly Tool Set	357J-12463-□□ □ : Number of Contact (ex.) 10 contacts 357J-12463-10	DHF-PDA Cable Wiring and Cable Cutting Tool	357J-12224
		DHF Termination Tool	357J-12198
		DHF Cable Clamp Assembly Tool Set	357J-12773
		DHF Cable Clamp Assembly Tool	357J-12199
		DHF Cable Clamp Locator	357J-12228-□

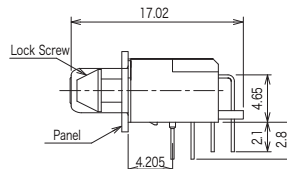
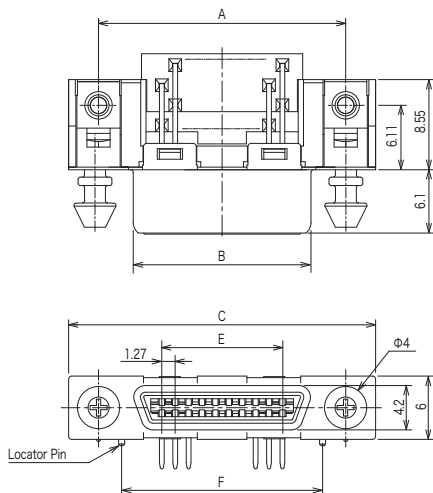
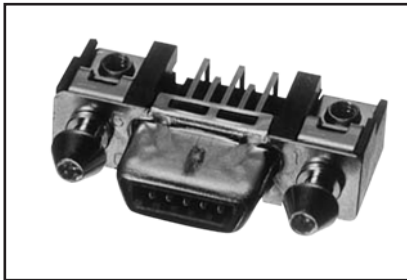
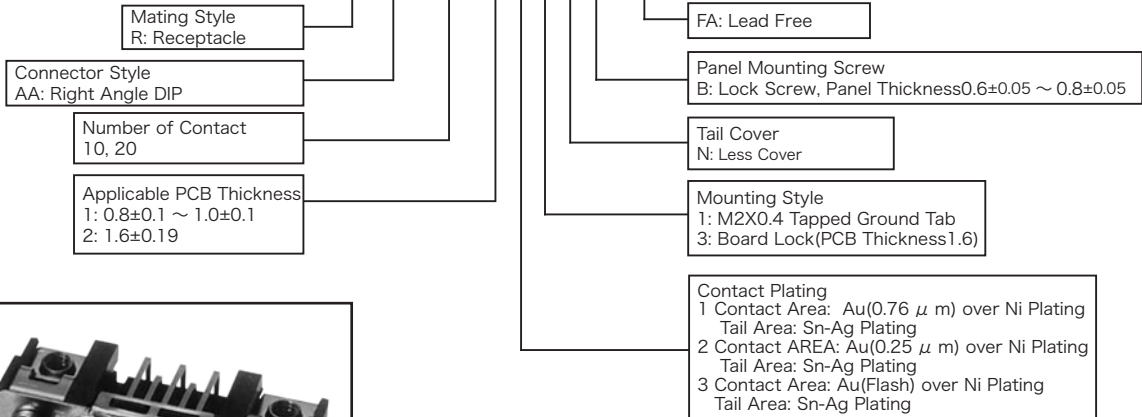
※ Please refer the instruction manual as attached with DHF assembly tool set.

DHF Cable Calmp Assembly Tool Set	DHF Cable Clamp Assembly Tool	DHF Cable Clamp Locator
for DHF-PDA10,20	357J-12773	357J-12228-1, -2
for DHF-PDA10	357J-12773-10	357J-12228-1
for DHF-PDA20	357J-12773-20	357J-12228-2

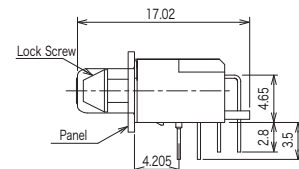
※ DHF cable calmp assembly tools are used depend on the number of contact. Please refer to the above table.

▶ Right Angle Receptacle

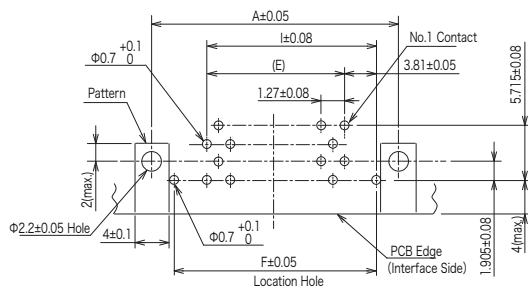
### DHF-RAA10-131NB-FA



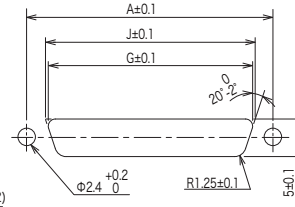
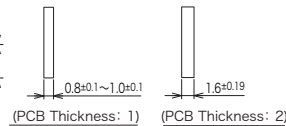
DHF-RAA□□-1□□NB-FA



DHF-RAA□□-2□□NB-FA



PCB Mounting Dimensions  
(View from Mounting Side)



Panel Cut-out Dimensions  
(Panel Thickness: 0.7±0.15)

Part Number	Number of Contact	A	B	C	E	F	G	I	J
DHF-RAA10-□□□NB-FA	10	17.08	10.50	22.75	5.08	12.70	11.60	8.89	12.67
DHF-RAA20-□□□NB-FA	20	23.43	16.85	29.10	11.43	19.05	17.95	15.24	19.02

© Specifications and/or dimensions in this catalogue are subject to change without notice.  
Your catalogue checking the latest specifications with our drawings would be highly appreciated.