

**Data Sheet**

Product Category: Ceramic Resonator

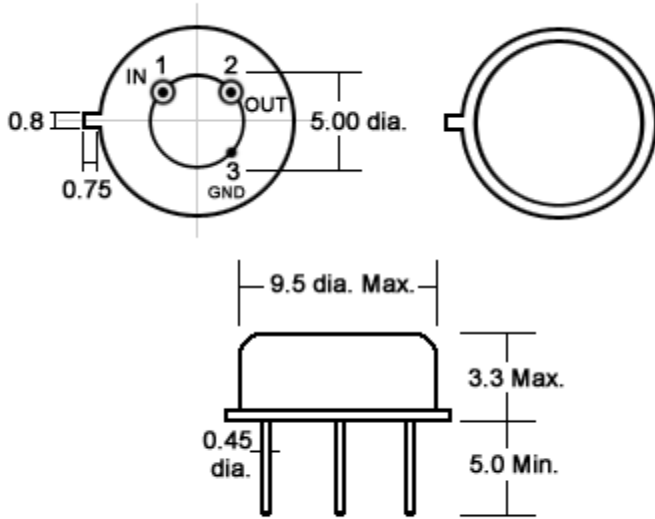
Series Number  
641Package  
T0-39Description  
Two-Port 180° SAWLast Modified  
Jan. 01 2002**FEATURES**

- Quartz Stability
- **180° nominal insertion phase at resonance**
- Industry standard package

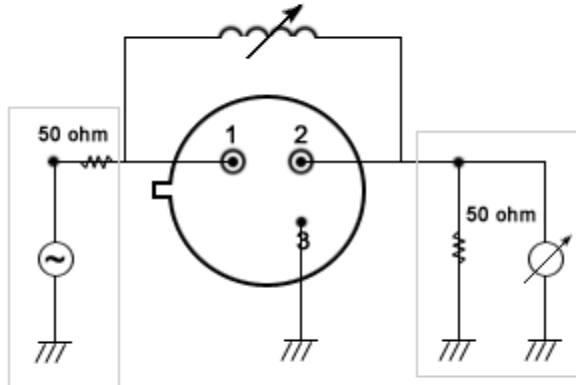
**OPERATING CONDITIONS / ELECTRICAL CHARACTERISTICS**

PARAMETERS	SYMBOL	CHARACTERISTICS	UNITS
<b>Center Frequency</b>	F <sub>c</sub>	384.05 ~ 433.92 ±0.075	MHz
<b>Insertion Loss</b>	IL	6.0	dB
<b>Unloaded Q</b>	-	13000	-
<b>50 Ohms Loaded Q</b>	-	6000	-
<b>Turnover Temperature</b>	T <sub>o</sub>	35	°C
<b>Freq. Temp. Coefficient</b>	FTC	0.037	PPM/°C
<b>Frequency Aging</b>	Δf/f	10 max. typ.	PPM/Y
<b>DC Insulation Resistance</b>	Between any 2 pins	1 min.	Mohm
<b>Turnover Frequency</b>	F <sub>o</sub>	F <sub>c</sub> ±21	KHz
<b>Operating Temperature</b>	T <sub>OPR</sub>	-10 to +60	°C
<b>Package</b>	-	T0-39	-

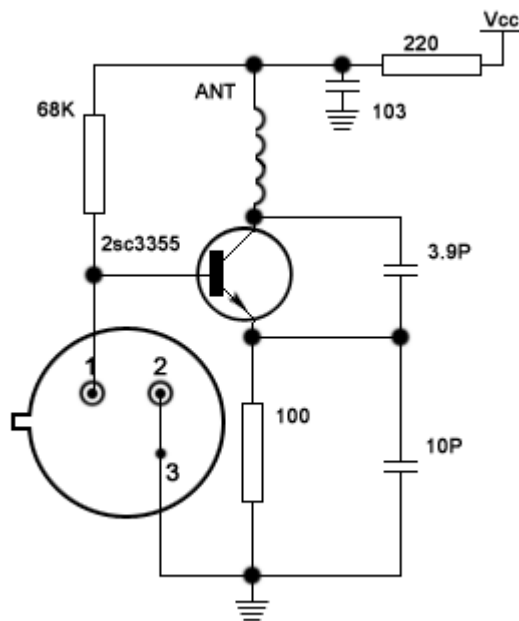
**PACKAGE DIMENSIONS (mm)**



**Figure 1)** Top, Side, and Bottom Views



**Figure 2)** Test Circuit



**Figure 3)** Application Circuit

**PART NUMBER GUIDE**

Part Number	Frequency
641-384.05M	384.05 MHz
641-418.0M	418.0
641-433.42M	433.42
641-433.92M	433.92

**NOTE:** Deviations on all parameters available. Please consult Oscilent for details.

**DEFINITIONS:** Click on the characteristic names above, for definitions of the particular characteristic.

**Series No.:** 641

**Oscilent Corporation** - CALL **949.252.0522**

17962 Sky Park Circle . Building D . Irvine . CA 92614 . USA  
Fax: 949.252.0599 . E-Mail: Sales@Oscilent.com

---

[Crystal Oscillators](#) | [Quartz Crystal](#) | [TCXO](#) | [VCXO](#) | [IF SAW Filter](#) | [RF SAW Filter](#) | [Ceramic Resonator](#)  
[Crystal Filter](#) | [Ceramic Filter](#) | [SAW Filter / SAW Devices](#) | [Site Map](#)