

Thin Film Gain Flattening Filter



Key Features

- Deep profiles (> 20 dB)
- Steep profiles (> 2.5 dB/nm)
- Low error function
- Power handling up to 2000 mW

Applications

- Long-haul terrestrial
- Metro
- Raman
- C, L, and S band

Gain flattening filters (GFFs) flatten the gain profile in optical amplifiers by selectively removing excess power.

The JDSU thin film GFF offers an excellent match to the target loss profile with low excess loss and error function, even for exceptionally deep (>20 dB) and steep GFF (>2.5 dB/nm) profiles.

Customized thin film GFFs are available in the C, L, and S bands. All JDSU thin film GFFs fulfill Telcordia GR-1221 requirements.

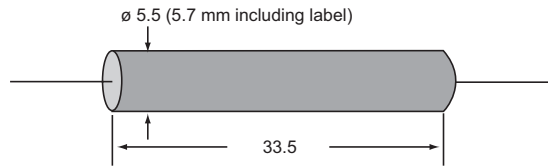
Compliance

- Telcordia GR-1221

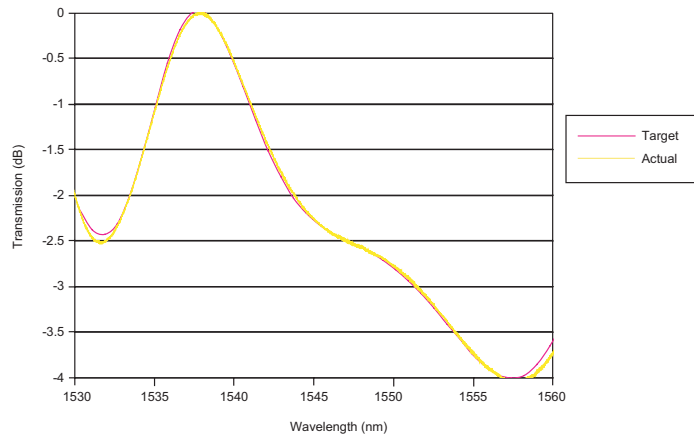
2

Dimensions Diagram

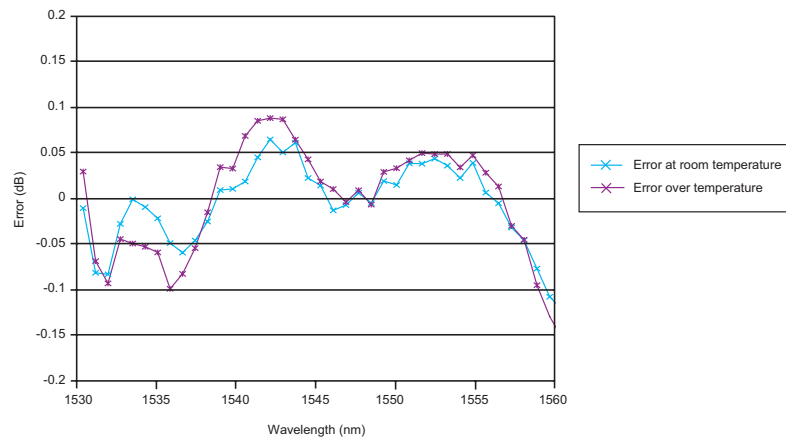
(Specifications in mm unless otherwise noted.)



Target Profile vs. Actual Profile



Profile Error

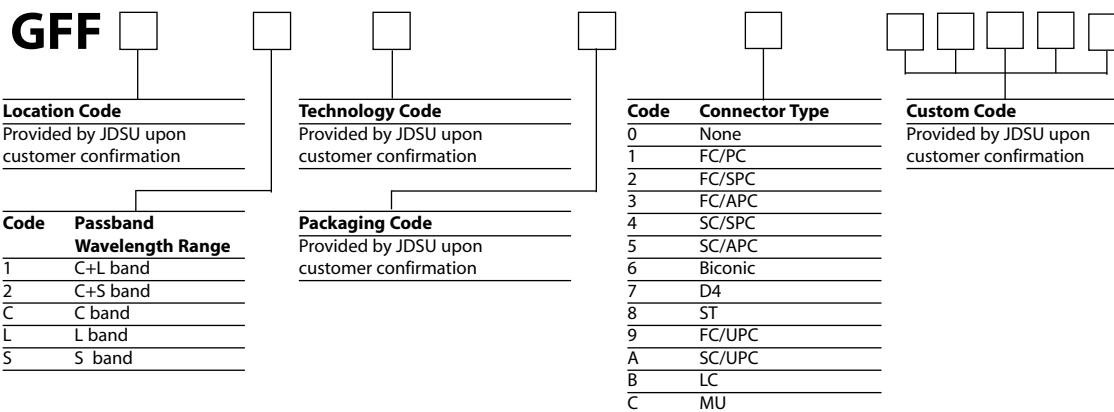


Specifications
Parameter
Specification

Technology	Thin film filter	
Wavelength	C, L or S band, bandwidths of up to 80 nm	
Insertion loss	GFF target profile dependent (see application note on Thin Film GFF)	
Error function (EF)	Peak-to-peak, GFF target profile dependent (see application note on Thin Film GFF)	
Polarization dependent loss	Maximum	0.1 dB
Polarization mode dispersion	Maximum	0.1 ps
Operating temperature	0 to 70 °C	
Storage temperature	-40 to 85 °C	
Optical power		
High power GFF	Maximum	2000 mW
Standard GFF	Maximum	500 mW
Package (D x L)	5.5 x 33.5 mm	

Ordering Information

For more information on this or other products and their availability, please contact your local JDSU account manager or JDSU directly at 1-800-498-JDSU (5378) in North America and +800-5378-JDSU worldwide or via e-mail at customer.service@jdsu.com.

Sample: GFFJLF2001N01


ST is a registered trademark of Lucent Technologies.

Telcordia is a registered trademark of Telcordia Technologies Incorporated.

All statements, technical information and recommendations related to the products herein are based upon information believed to be reliable or accurate. However, the accuracy or completeness thereof is not guaranteed, and no responsibility is assumed for any inaccuracies. The user assumes all risks and liability whatsoever in connection with the use of a product or its application. JDSU reserves the right to change at any time without notice the design, specifications, function, fit or form of its products described herein, including withdrawal at any time of a product offered for sale herein. JDSU makes no representations that the products herein are free from any intellectual property claims of others. Please contact JDSU for more information. JDSU and the JDSU logo are trademarks of JDS Uniphase Corporation. Other trademarks are the property of their respective holders. ©2005 JDS Uniphase Corporation. All rights reserved. 10133045 Rev.005 10/05 GFF.DS.CC.AE