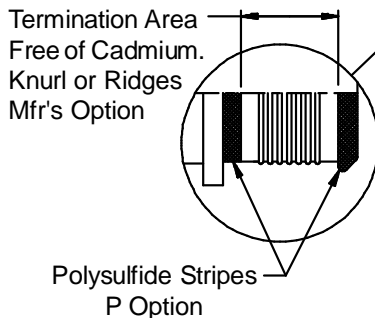
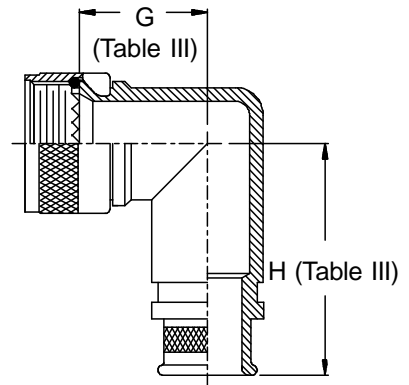
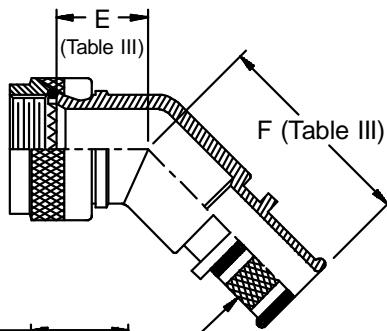
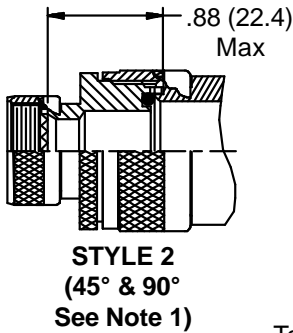
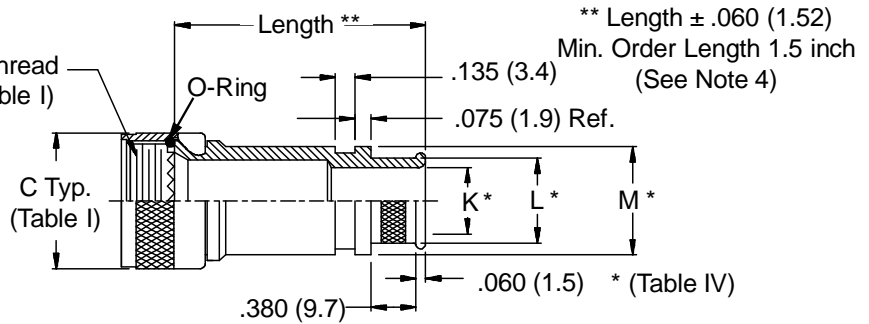
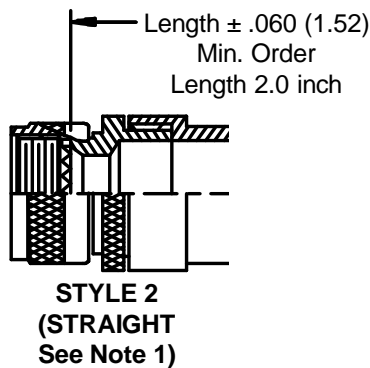
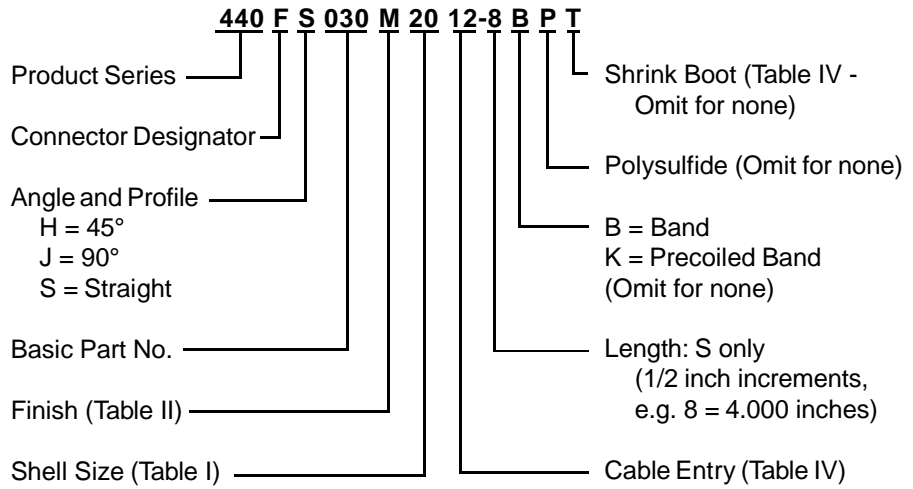


**CONNECTOR
 DESIGNATORS
 A-F-H-L
 ROTATABLE
 COUPLING**



440-030
EMI/RFI Banding and Shrink Boot Adapter
Rotatable Coupling - Standard Profile



See inside back cover fold-out or pages 13 and 14 for Tables I and II.

TABLE III: ELBOW DIMENSIONS

Shell Size		E *** Max	F Max	G *** Max	H *** Max
Conn. Desig. A-F-L	H				
08	09	.531 (13.5)	.940 (23.9)	.639 (16.2)	1.110 (28.2)
10	11	.594 (15.1)	1.000 (25.4)	.664 (16.9)	1.140 (29.0)
12	13	.618 (15.7)	1.050 (26.7)	.688 (17.5)	1.160 (29.5)
14	15	.656 (16.7)	1.090 (27.7)	.705 (17.9)	1.190 (30.2)
16	17	.688 (17.5)	1.150 (29.2)	.732 (18.6)	1.210 (30.7)
18	19	.748 (19.0)	1.190 (30.2)	.803 (20.4)	1.221 (31.0)
20	21	.773 (19.6)	1.250 (31.8)	1.031 (26.2)	1.281 (32.5)
22	23	.800 (20.3)	1.320 (33.5)	1.156 (29.4)	1.351 (34.3)
24	25	.823 (20.9)	1.380 (35.1)	1.219 (31.0)	1.410 (35.8)
28		1.041 (26.4)	1.500 (38.1)	1.281 (32.5)	1.531 (38.9)
32		1.092 (27.7)	1.620 (41.1)	1.593 (40.5)	1.651 (41.9)
36		1.136 (28.9)	1.750 (44.5)	1.718 (43.6)	1.781 (45.2)

*** These maximum dimensions are increased by .187 (4.7) when parts are fabricated from stainless steel, and connector designator is "S".

TABLE IV: CABLE ENTRY

Dash No.	K	L	M	Shrink Boot ****
01	.125 (3.2)	.250 (6.4)	.312 (7.9)	n/a
31	.188 (4.8)	.312 (7.9)	.374 (9.5)	202K121-25-0
02	.250 (6.4)	.375 (9.5)	.437 (11.1)	202K121-25-0
32	.312 (7.9)	.438 (11.1)	.500 (12.7)	202K121-25-0
03	.375 (9.5)	.500 (12.7)	.562 (14.3)	202K121-25-0
33	.438 (11.1)	.562 (14.3)	.624 (15.8)	202K132-25-0
04	.500 (12.7)	.625 (15.9)	.687 (17.4)	202K132-25-0
34	.562 (14.3)	.688 (17.5)	.750 (19.1)	202K132-25-0
05	.625 (15.9)	.750 (19.1)	.812 (20.6)	202K132-25-0
35	.688 (17.5)	.812 (20.6)	.874 (22.2)	202K142-25-0
06	.750 (19.1)	.875 (22.2)	.937 (23.8)	202K142-25-0
36	.812 (20.6)	.938 (23.8)	1.000 (25.4)	202K153-25-0
07	.875 (22.2)	1.000 (25.4)	1.062 (27.0)	202K153-25-0
37	.938 (23.8)	1.062 (27.0)	1.124 (28.5)	202K153-25-0
08	1.000 (25.4)	1.125 (28.6)	1.187 (30.1)	202K153-25-0
38	1.062 (27.0)	1.188 (30.2)	1.250 (31.8)	202K163-25-0
09	1.125 (28.6)	1.250 (31.8)	1.312 (33.3)	202K163-25-0
10	1.250 (31.8)	1.375 (34.9)	1.437 (36.5)	202K163-25-0
11	1.375 (34.9)	1.500 (38.1)	1.562 (39.7)	202K174-25-0
12	1.500 (38.1)	1.625 (41.3)	1.687 (42.8)	202K174-25-0
13	1.625 (41.3)	1.750 (44.5)	1.812 (46.0)	202K174-25-0
14	1.750 (44.5)	1.875 (47.6)	1.937 (49.2)	202K185-25-0
15	1.875 (47.6)	2.000 (50.8)	2.062 (52.4)	202K185-25-0
16	2.000 (50.8)	2.125 (54.0)	2.187 (55.5)	202K185-25-0

**** Raychem Shrink Boot Supplied with "T" Option (see Part Number Development)

1. When maximum cable entry (page 21) is exceeded, Style 2 will be supplied. Dimensions E, F, G, and H will not apply. Please consult factory.
2. Metric dimensions (mm) are indicated in parentheses.
3. Interface O-Ring not supplied with Connector Designator A.
4. Consult factory for shorter lengths on straight backshells.
5. See page 40 Shrink Boot Reference Information.
6. Backshells supplied with 600-052-* band, see Glenair Series 600 Tool Catalog for installation.

-445 Now Available with the "NESTOR"

Add "-445" to Specify Glenair's Non-Detent, Spring-Loaded, Self-Locking Coupling. See Page 41 for Details.