



PRESS FIT AVALANCHE AUTOMOTIVE RECTIFIER (BOSCH)

PRBA40M

AVALANCHE VOLTAGE 37 to 41 Volts

CURRENT 40 Amperes

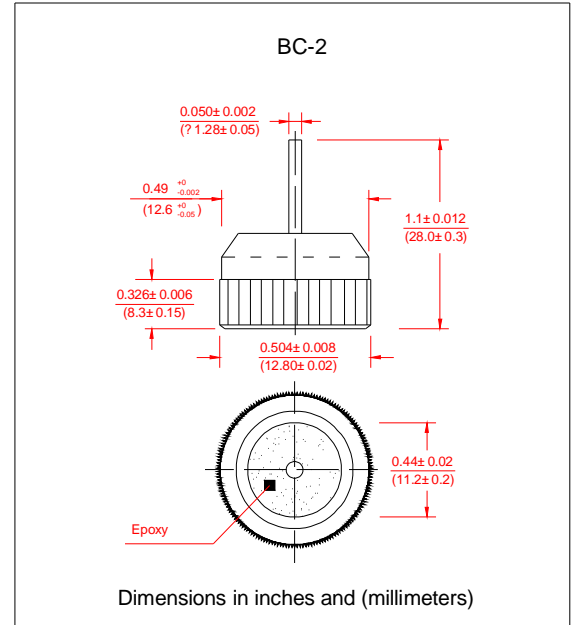
Technical Specifecation:

Features:

- High power capability
- Economical
- Avalanche Voltage: 37V to 41V

MECHANICAL DATA

- Case: transfer molded plastic
- Epoxy: UL94-0 rate flame ratardant
- Polarity: As marked of case bottom
- Structural: With cell
- Technology cell vacuum soldered
- Lead: Plated slug, solderable per MIL-STD-202E Method 208C
- Weight: 0.29ounce, 8.09 Grams



MAXIMUM RATINGS AND ELECTRICAL CHARACTERISTICS

- Ratings at 25°C ambient temperature unless otherwise specified
- Single Phase, half wave, 60Hz, resistive or inductive load
- For capacitive load derate current by 20%

Electrical Characteristics @ 25°C	SYMBOLS	MIN	NOMINAL	MAX	UNITS
Peak Repetitive Reverse Voltage	V_{RRM}		28		Volts
Working Peak Reverse Voltage	V_{RRM}		28		
DC Blocking Voltage	V_{DC}		28		
Average Rectified Forward Current ($T_c=125^\circ C$)	I_o		40		Amps
Repetitive Peak Reverse Surge Current $T_c=10msec$ Dury Cycle<1%	I_{RSM}		40		Amps
Breakdown Voltage ($V_{br}@I_r=100mA, T_c=25^\circ C$)	V_{br1}	37	39	41	Volts
$I_r=90Amps, T_c=150^\circ C, PW=80uSec$	V_{br2}			54	Volts
Forward Voltage Drop @ $I_f=100Amps < 300uSec$	V_F		1.05	1.08	Volts
Peak Forward Surge Current	I_{FSM}		600		Amps
Reverse Leakage ($V_R=17Vdc, T_A=25^\circ C$)	I_R		1.0	2.0	uAmps
Operating and Storage Junction Temperature Range	T_J, T_{STG}		-65 to +175		°C

Notes: 1. Enough heatsink must be considered in application.

