

High Density D-Subminiature Connector

17AE Series



FEATURE

- Right angle D-Sub connectors with SMT and DIP solder termination style.
- Compatible to standard D-Sub connectors.
- High temperature resin for reflow soldering process.
- 2mm shorter than standard D-Sub connector's height.
- Screw and board lock mounting.

SPECIFICATIONS

Rated Voltage	300V AC(r.m.s.)
Rated Current	3A / contact
Dielectric Withstanding Voltage	1000V AC(r.m.s.) / 1 minute
Insulation Resistance	1000M Ω (min.) at 500V DC
Contact Resistance	20m Ω (max.)
Operating Temperature	-65°C ~ 125°C

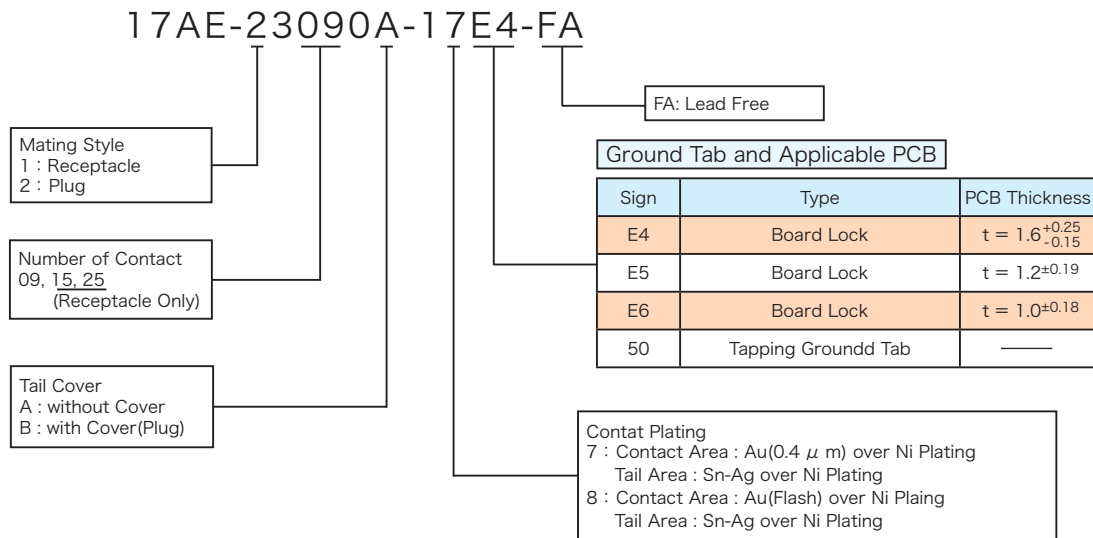
MATERIAL / FINISH



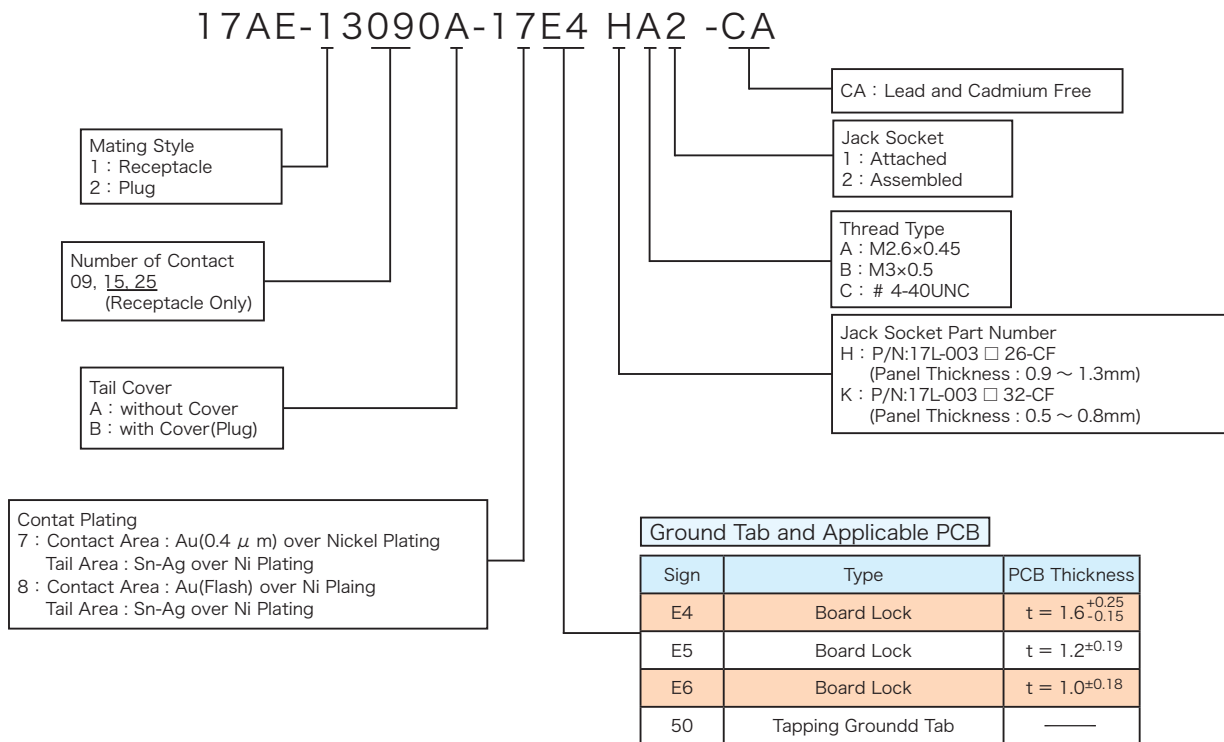
ITEM	MATERIAL / FINISH
Insulator	PPS Resin / (UL94V-0) / Black
Shell	Steel / Ni Plating
Contact	Copper Alloy / Contact Area: Au(0.4 μ m) over Ni Plating Tail Area: Sn-Ag over Ni Plating
Ground Tab	Copper Alloy / Sn-Ag Plating

© Specifications and/or dimensions in this catalogue are subject to change without notice.
Your catalogue checking the latest specifications with our drawings would be highly appreciated.

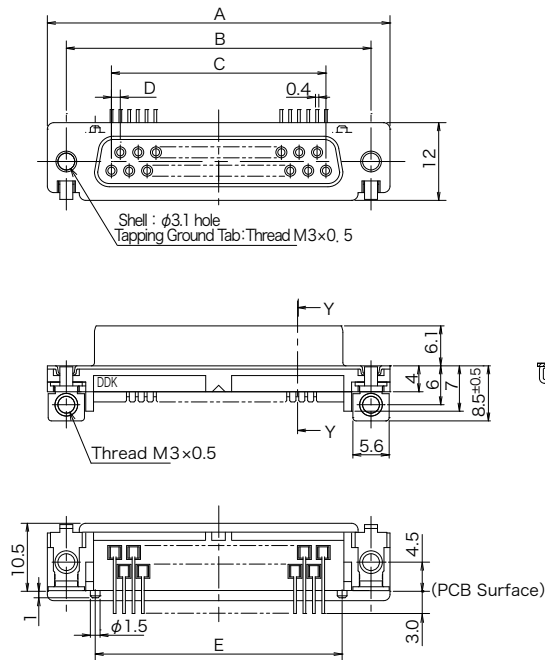
▶ DIP Mounting Style without Jack Socket



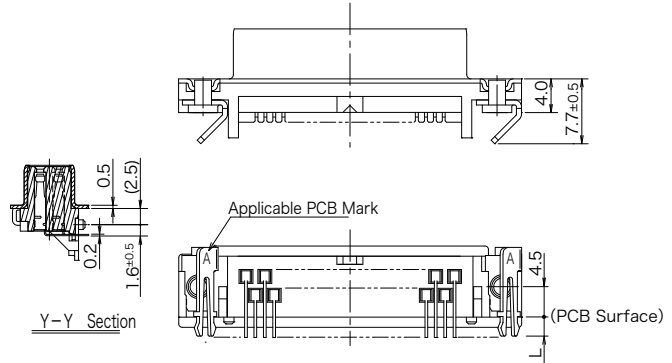
▶ DIP Mounting Style with Jack Socket



DIP Mounting Style Receptacle Connector



Number of Contact	A	B	C	D	E
9	30.8	24.99	10.98	1.373	15.98
15	39.1	33.32	19.20	1.371	24.20
25	53.0	47.04	33.12	1.380	38.12

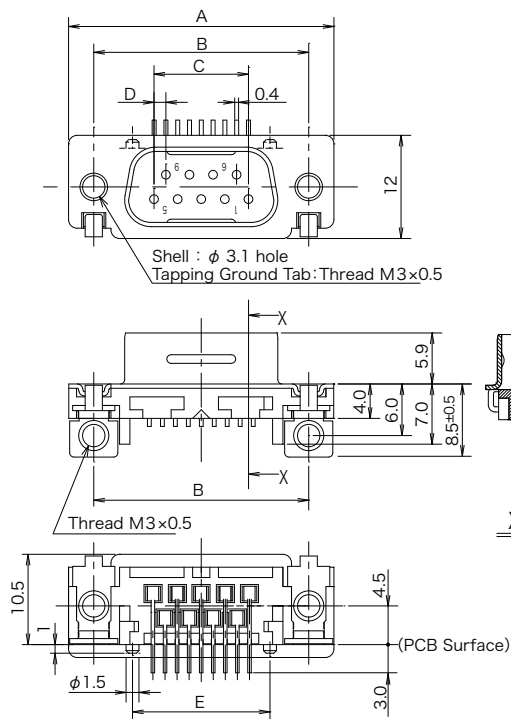


Board Lock Ground Tab Type (17AE-13 □ □ OA-1 □ E □ -FA)

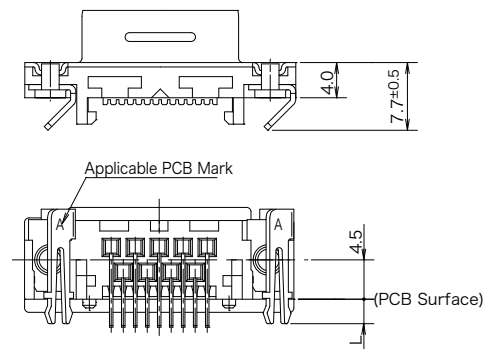
Part Number	L	Mark	PCB Thickness
17AE-13 □ □ OA-1 □ E4-FA	3.2	A	t = 1.6
17AE-13 □ □ OA-1 □ E5-FA	2.8	B	t = 1.2
17AE-13 □ □ OA-1 □ E6-FA	2.6	C	t = 1.0

Tapping Ground Tab Type (17AE-13 □ □ OA-1 □ 50-FA)

DIP Mounting Style Plug Connector



Number of Contact	A	B	C	D	E
9	30.8	24.99	10.98	1.373	15.98



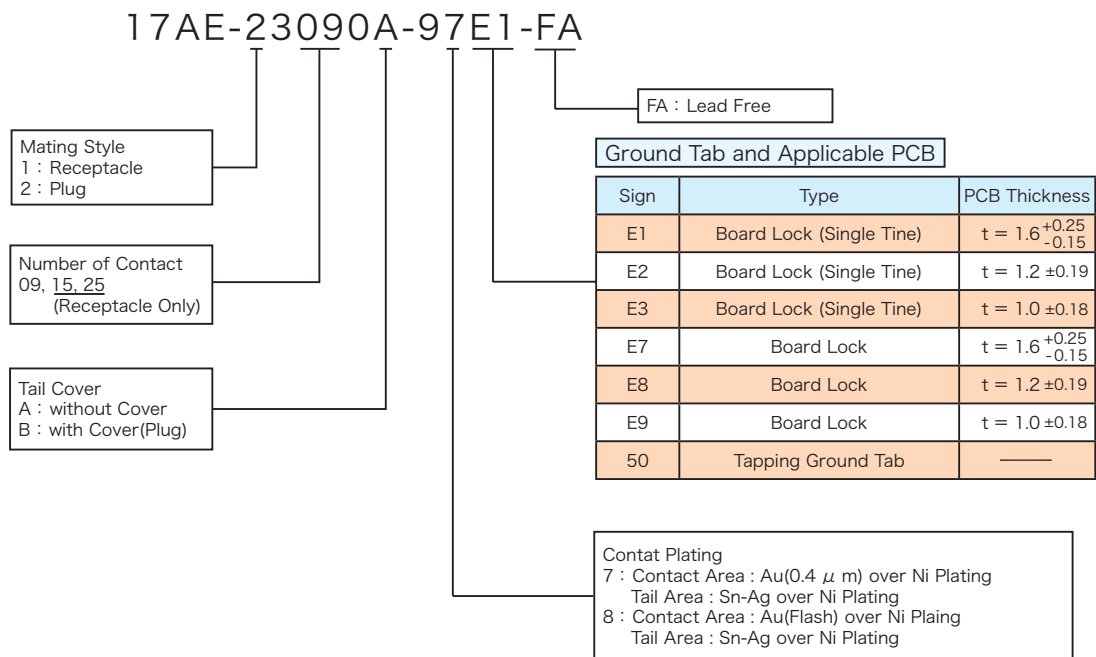
Board Lock Ground Tab Type (17AE-23 □ □ OA-1 □ E □ -FA)

Part Number	L	Mark	PCB Thickness
17AE-23 □ □ OA-1 □ E4-FA	3.2	A	t = 1.6
17AE-23 □ □ OA-1 □ E5-FA	2.8	B	t = 1.2
17AE-23 □ □ OA-1 □ E6-FA	2.6	C	t = 1.0

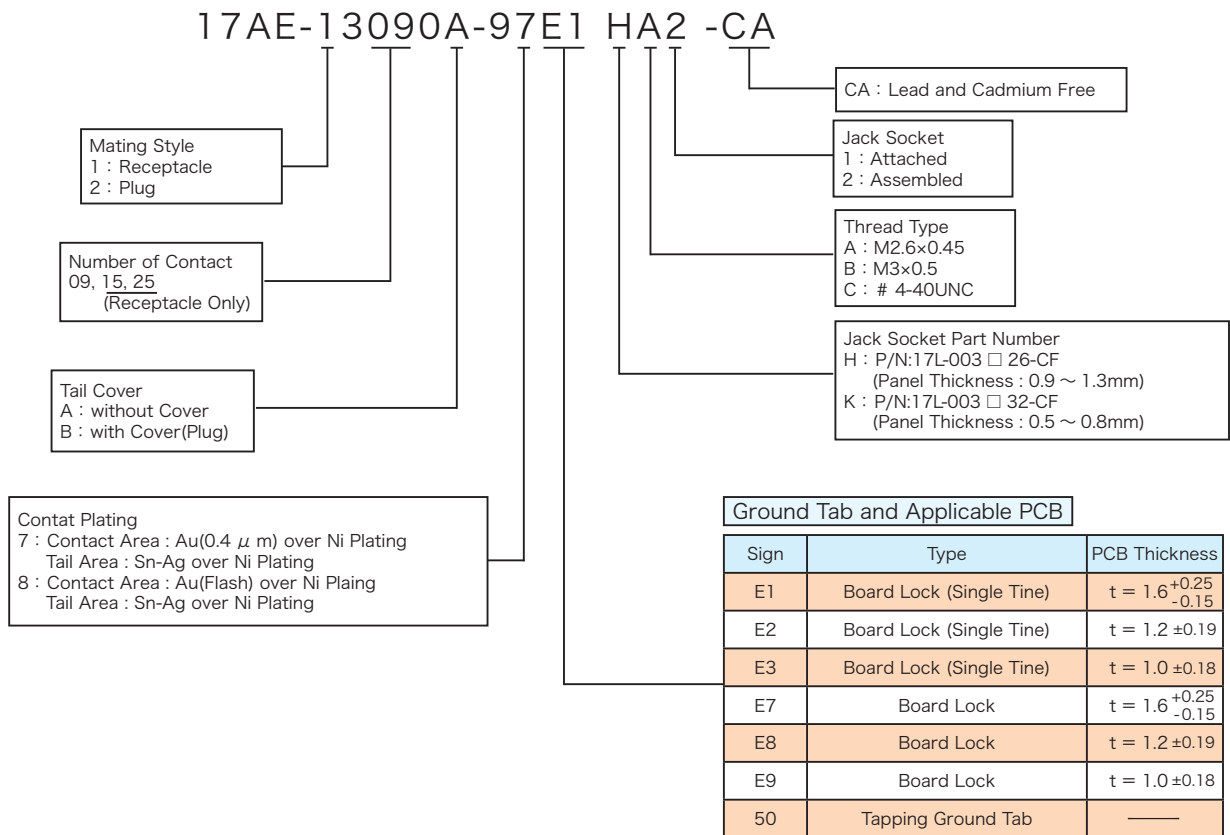
Tapping Ground Tab Type (17AE-23 □ □ OA-1 □ 50-FA)

※ Tail cover is common to SMT style plug connector.
Part Number : 17AE-09A-700

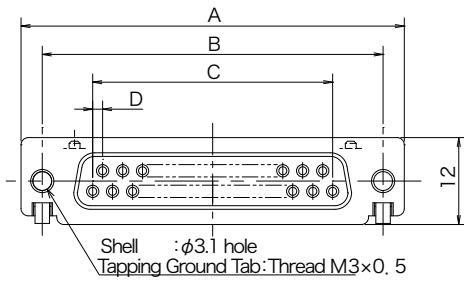
▶ SMT Mounting Style without Jack Socket



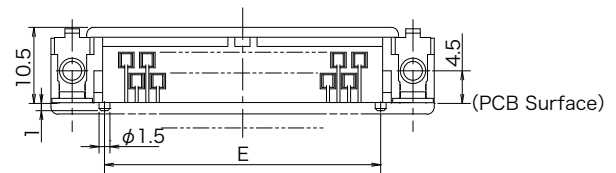
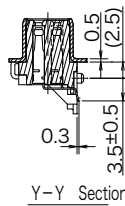
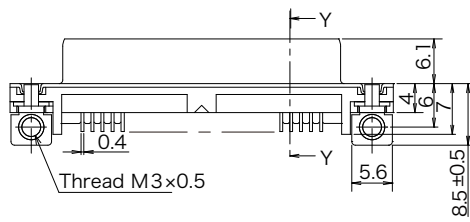
▶ SMT Mounting Style with Jack Socket



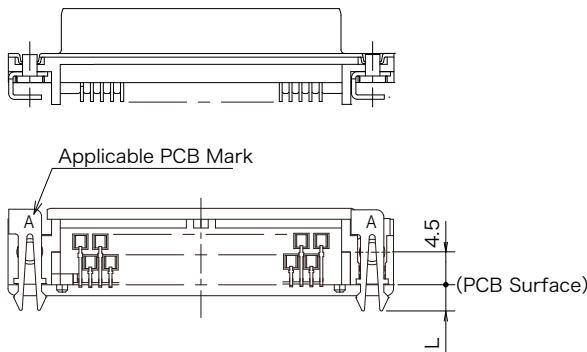
SMT Mounting Style Receptacle Connector



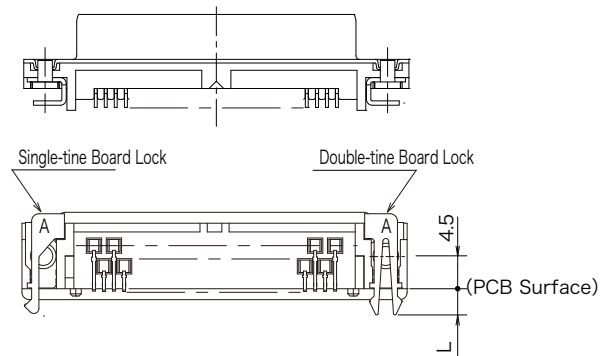
Number of Contact	A	B	C	D	E
9	30.8	24.99	10.98	1.373	15.98
15	39.1	33.32	19.20	1.371	24.20
25	53.0	47.04	33.12	1.380	38.12



Tapping Ground Tab Type
(17AE-13 □ □ 0A-9 □ 50-FA)



Board Lock Ground Tab Type
(17AE-13 □ □ 0A-9 □ E □ -FA)

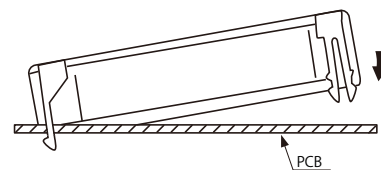


Single-tine Board Lock Ground Tab Type
(17AE-13 □ □ 0A-9 □ E □ -FA)

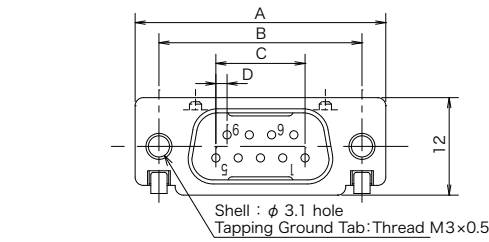
Part Number	L	Mark	PCB Thickness
17AE-13 □ □ 0A-9 □ E7-FA	4.0	A	t = 1.6
17AE-13 □ □ 0A-9 □ E8-FA	3.6	B	t = 1.2
17AE-13 □ □ 0A-9 □ E9-FA	3.4	C	t = 1.0

Part Number	L	Mark	PCB Thickness
17AE-13 □ □ 0A-9 □ E1-FA	4.0	A	t = 1.6
17AE-13 □ □ 0A-9 □ E2-FA	3.6	B	t = 1.2
17AE-13 □ □ 0A-9 □ E3-FA	3.4	C	t = 1.0

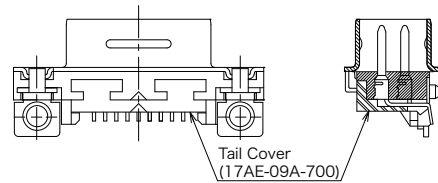
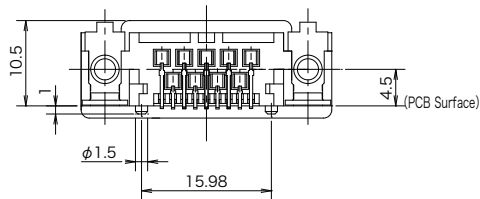
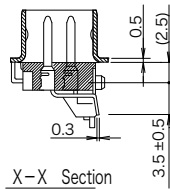
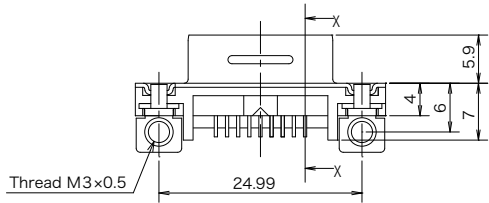
※ Insert the single lock pin first, and double lock pin next. It requires about a half insertion force to mount the connector on the PCB.



SMT Mounting Style Plug Connector

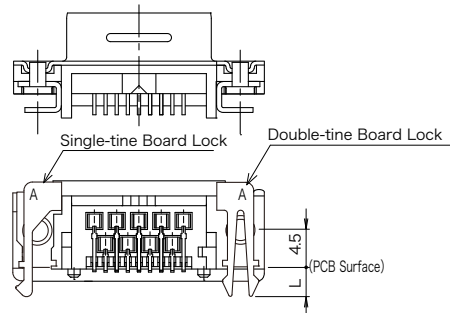
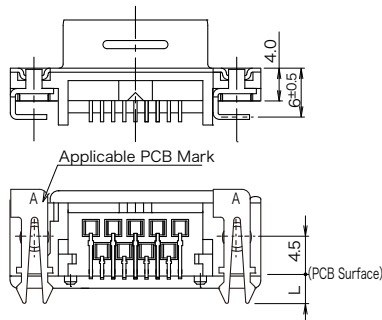


Number of Contact	A	B	C	D
9	30.8	24.99	10.98	1.373



Tapping Ground Tab Type
(17AE-23 □ □ 0A-9 □ 50-FA)

With Tail Cover
(17AE-23 □ □ 0B-9 □ □ □)



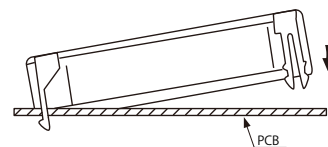
Board Lock Ground Tab Style
(17AE-23 □ □ 0A-9 □ E □ -FA)

Single-tine Board Lock Ground Tab Style
(17AE-23 □ □ 0A-9 □ E □ -FA)

Part Number	L	Mark	PCB Thickness
17AE-23 □ □ 0A-9 □ E7-FA	4.0	A	t = 1.6
17AE-23 □ □ 0A-9 □ E8-FA	3.6	B	t = 1.2
17AE-23 □ □ 0A-9 □ E9-FA	3.4	C	t = 1.0

Part Number	L	Mark	PCB Thickness
17AE-23 □ □ 0A-9 □ E1-FA	4.0	A	t = 1.6
17AE-23 □ □ 0A-9 □ E2-FA	3.6	B	t = 1.2
17AE-23 □ □ 0A-9 □ E3-FA	3.4	C	t = 1.0

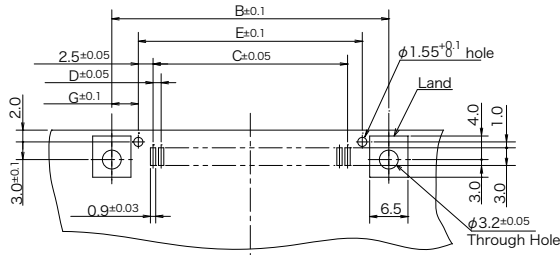
※ Insert the single lock pin first, and double lock pin next. It requires about a half insertion force to mount the connector on the PCB.



▶ PCB Mounting Dimensions(Reference)

● SMT Mounting Style

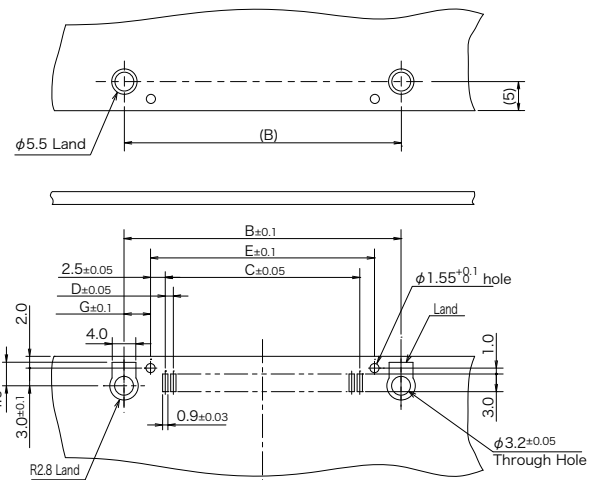
Tapping Ground Tab Style
(17AE- □ 3 □ □ OA-9 □ 50 □ □ □ - □ □)



PCB Mounting Dimensions

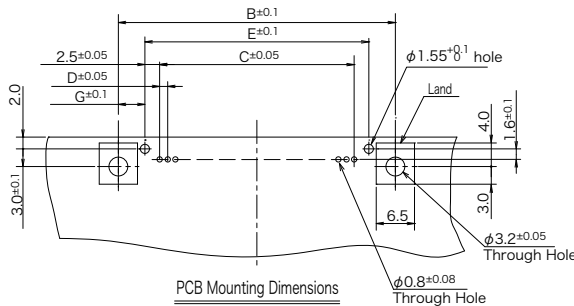
Number of Contact	B	C	D	E	G
9	24.99	10.98	1.373	15.98	4.51
15	33.32	19.20	1.371	24.20	4.56
25	47.04	33.12	1.380	38.12	4.46

Board Lock Ground Tab Style
(17AE- □ 3 □ □ OA-9 □ E □ □ □ □ - □ □)



● DIP Mounting Style

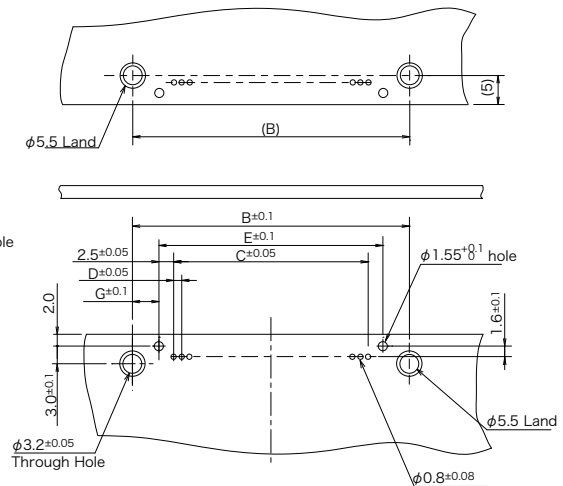
Tapping Ground Tab Type
(17AE- □ 3 □ □ OA-1 □ 50 □ □ □ - □ □)



PCB Mounting Dimensions

Number of Contact	B	C	D	E	G	
					Tapping Type	Board Lock Type
9	24.99	10.98	1.373	15.98	4.51	3.51
15	33.32	19.20	1.371	24.20	4.56	3.56
25	47.04	33.12	1.380	38.12	4.46	3.46

Board Lock Ground Tab Type
(17AE- □ 3 □ □ OA-1 □ E □ □ □ □ - □ □)



Jack Socket

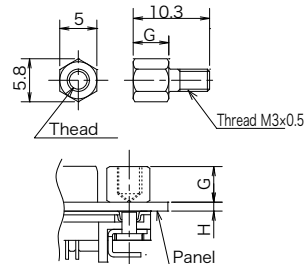
(Panel Mounting Type)

● Jack Socket

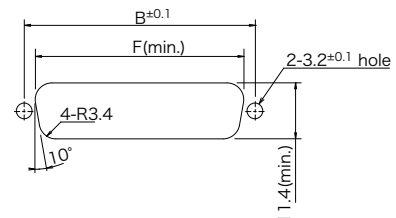
Material/Finish : Copper Alloy/Nickel Plating

Part Number	G	H : PCB Thickness
17L-003 □ 26-CF	4.8	0.9 ~ 1.3
17L-003 □ 32-CF	5.3	0.5 ~ 0.8

□ : Thread Size
A : M2.6 × 0.45
B : M3 × 0.5
C : # 4-40UNC



Panel Cut-out Dimensions



Number of Contact	B	F
9	24.99	20.5
15	33.32	28.8
25	47.04	42.5