

SMD LED LAMP
BL-LS1204XX
■ Features:

- 3.2mmx1.0mm SMD, 1.5mm THICKNESS
- Bi-color type
- Compatible with automatic placement equipment
- WIDE VIEWING ANGLE.
- IDEAL FOR BACKLIGHT AND INDICATOR.
- PACKAGE: 3KPCS/REEL
- RoHs Compliance


■ Electrical-optical characteristics: (Ta=25°C) (Test Condition: IF=20mA)

Part Number	Chip			Lens Type	Forward Voltage(VF) Unit:V		Luminous Intensity (lv) Unit:mcd		Viewing Angle 2θ1/2 (deg)
	Emitted Color	Material	λ _p (nm)		Typ	Max	Min.	Typ.	
BL-LS1204EGC	Orange	GaAsP	640	Water Clear	2.10	2.60	4	10	110
	Green	GaP	568		2.30	2.70	6	15	
BL-LS1204UYUGC	Ultra Yellow	AlInGaP	593		2.10	2.60	20	60	
	Ultra Green	AlInGaP	575		2.20	2.70	15	50	
BL-LS1204UEUGC	Ultra Orange	AlInGaP	645		2.10	2.60	20	60	
	Ultra Green	AlInGaP	575		2.20	2.70	15	50	

■ Absolute maximum ratings (Ta=25°C)

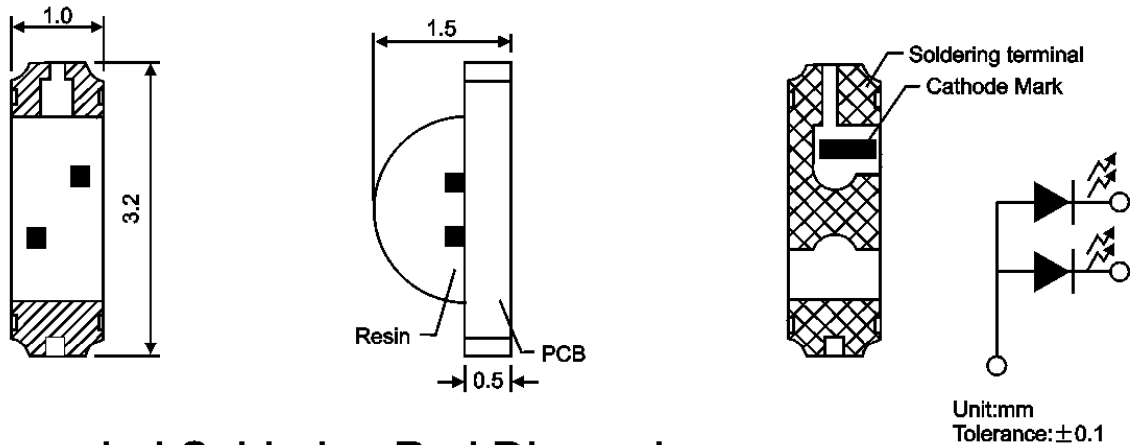
Parameter	Rating	Unit
Forward Current I _F	30	mA
Power Dissipation P _d	78	mW
Reverse Voltage V _R	5	V
Peak Forward Current I _{PF} (Duty 1/10 @1KHZ)	100	mA
Operation Temperature T _{OPR}	-30 to +80	°C
Storage Temperature T _{STG}	-40 to +85	°C
Lead Soldering Temperature T _{SOL}	Max.260±5°C for 3 sec Max. (1.6mm from the base of the epoxy bulb)	°C

SMD LED LAMP

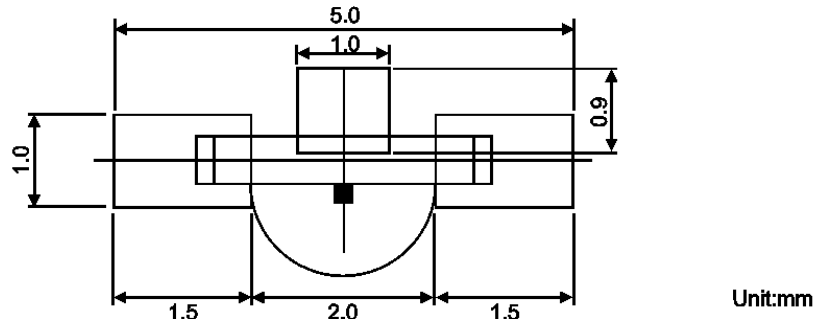
BL-LS1204XX

■ **Package configuration & Internal circuit diagram**

**BL-LS1204XX Series
Package Outline Drawing**



Recommended Soldering Pad Dimensions



Notes:

1. All dimensions are in millimeters (inches)
2. Tolerance is $\pm 0.25(0.01)$ unless otherwise noted.
3. Specifications are subject to change without notice.

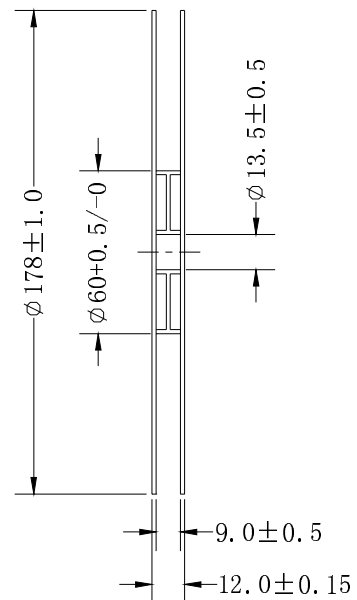
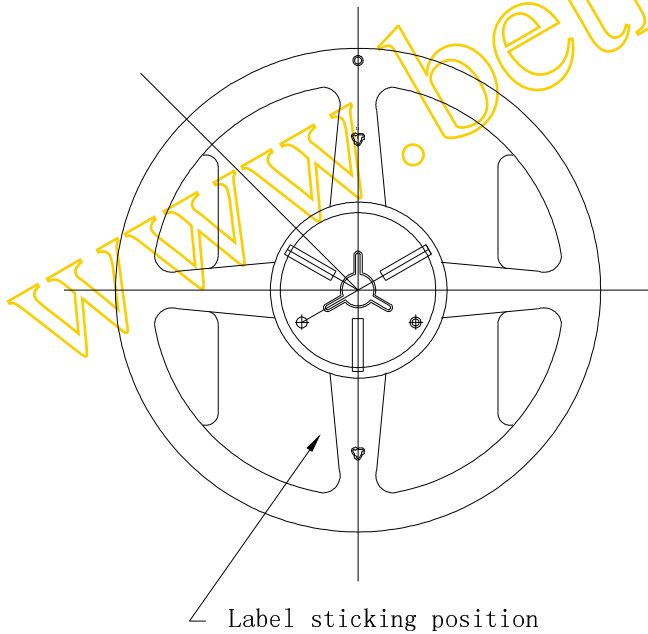
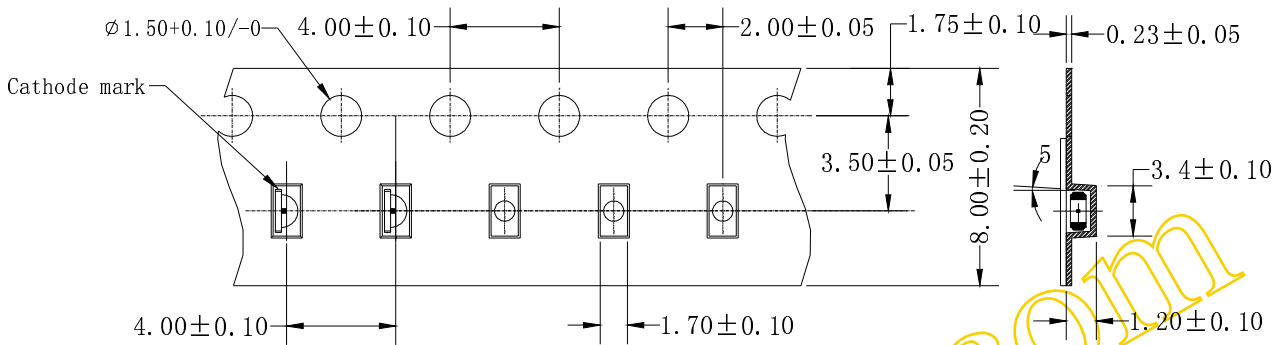
SMD LED LAMP

BL-LS1204XX

■ **Tape Specifications**

Unit: mm

Tolerance: ± 0.1



SMD LED LAMP

BL-LS1204XX

Typical electrical-optical characteristics curves:



- | | |
|---|--------------------------------------|
| (1) - GaAsP/GaAs 655nm/Red | (9) - GaAlAs 880nm |
| (2) - GaP 570nm/Yellow Green | (10) - GaAs/GaAs & GaAlAs/GaAs 940nm |
| (3) - GaAsP/GaP 585nm/Yellow | (A) - GaN/SiC 430nm/Blue |
| (4) - GaAsP/GaP 635nm/Orange & Hi-Eff Red | (B) - InGaN/SiC 470nm/Blue |
| (5) - GaP 700nm/Bright Red | (C) - InGaN/SiC 505nm/Ultra Green |
| (6) - GaAlAs/GaAs 660nm/Super Red | (D) - InGaN/SiC 525nm/Ultra Green |
| (8) - GaAsP/GaP 610nm/Super Red | |



NOTE:25°C free air temperature unless otherwise specified