

KR Electronics

General Description

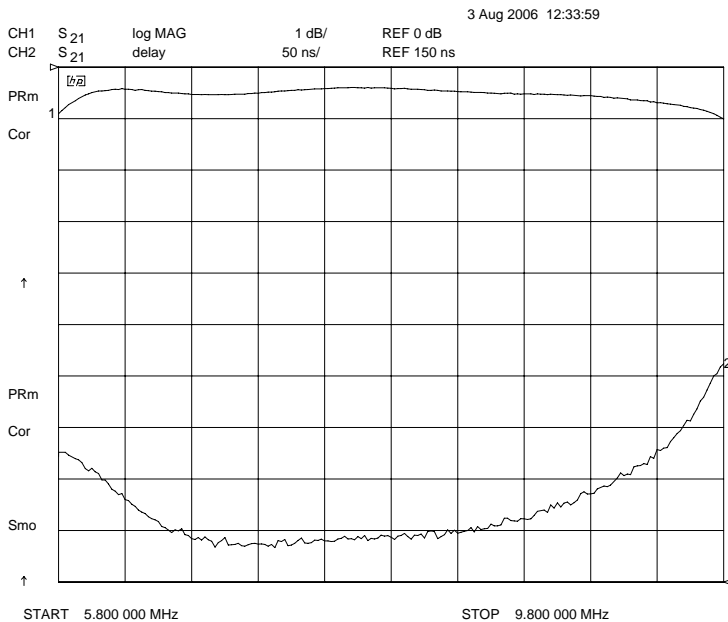
KR 2710-7.8M is a 7.8 MHz surface mount bandpass filter. Other center frequencies and bandwidths available. Please consult the factory.

Features

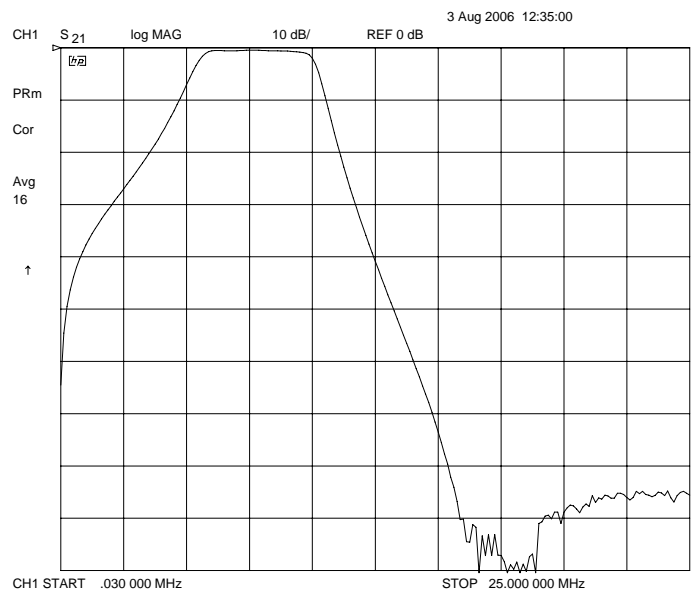
- 7.8 MHz Center Frequency
- High Stopband Rejection
- Surface Mount Package
- 50 Ω Source and Load

Typical Performance

Passband Amplitude & Group Delay (1 dB/div and 50 nsec/div)



Overall Response (10 dB/div)



KR Electronics, Inc.
91 Avenel Street
Avenel, NJ 07001

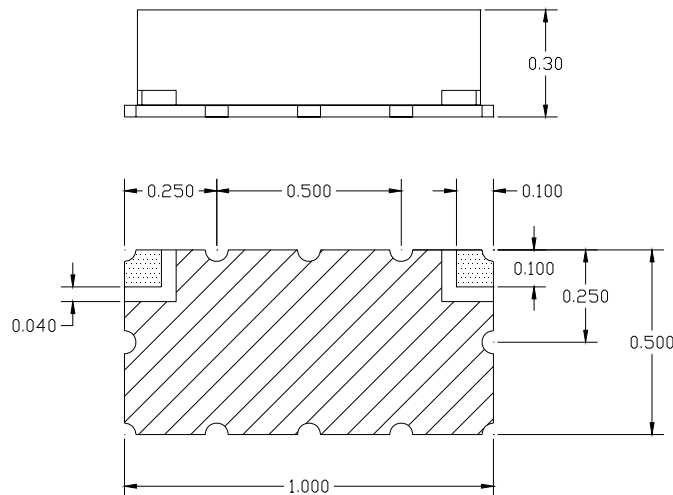
Web www.krfilters.com
 Email sales@krfilters.com
 Phone (732) 636-1900
 Fax (732) 636-1982

KR Electronics 2710-7.8M Bandpass

Specifications

Parameter	Specification	Typical
Filter type	Bandpass	
Center Frequency	7.8 MHz	
Insertion Loss	< 2 dB	< 1 dB
3 dB Bandwidth	4 MHz min	
Attenuation at 15.6 MHz	> 65 dB	
Source and Load	50 Ω	

Physical Dimensions



Notes:

1. Surface mount package — Metal cover (can also be supplied in an package with SMA Connectors)
2. Dimensions in inches
3. If boards are cleaned after installation, dry units completely.