

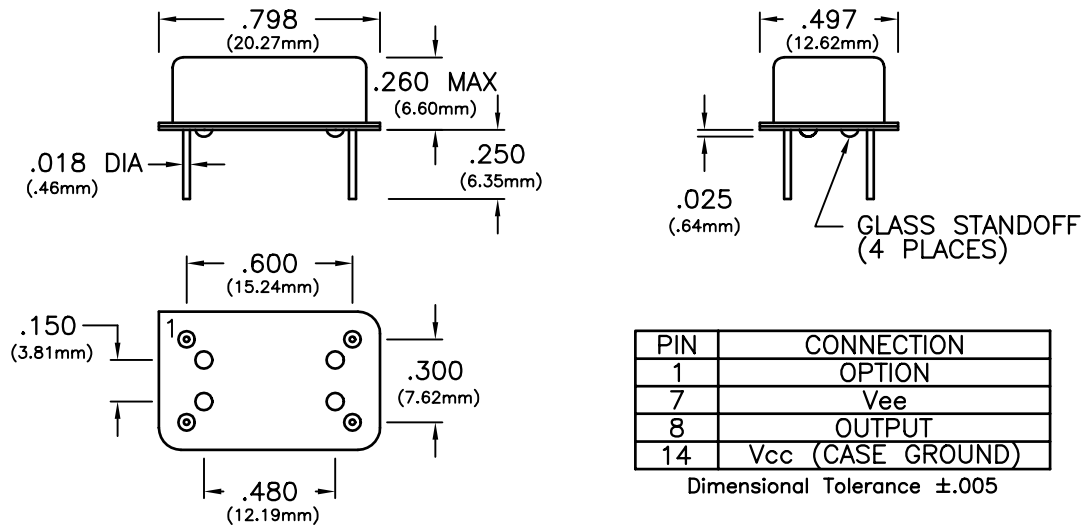


CONNOR-WINFIELD CORPORATION

AURORA, IL. 60505
 PHONE (630) 851-4722
 FAX (630) 851-5040

14 PIN DIP ECL

SPECIFICATIONS	EH01-63*		
Frequency Range	13MHz to 100MHz		
Frequency Stability	±100ppm		
	(Inclusive of calibration tolerance at 25°C, operating temperature range, input voltage change, load change, aging, shock and vibration)		
Temperature Range	-40°C to +85°C		
Output	Waveform	ECL Squarewave, 10K Compatible	
	Voltage	Voh	-1.02 Minimum, -0.735 Maximum
		Vol	-1.95 Minimum, -1.60 Maximum
	Duty Cycle	45/55 Maximum measured at 50% level	
	Rise/Fall Time	2.3nS Maximum	
Output must be terminated into 50 ohms to -2Vdc referenced to Vcc			
Supply Voltage	-5.2Vdc ±5%		
Supply Current	85mA Maximum		
Package	All metal, hermetically sealed, welded package		
Options *	0	Pin 1: No Connection	
	1	Pin 1: Complementary Output	
	2	Pin 1: Enable/Disable Enable; Low Level, Vil (-1.60V Max), Disable; High Level, Vih (-1.02V Min) NOTE: When oscillator is disabled the output is in a low state (vol)	
(add letter to end of model number)			



PIN	CONNECTION
1	OPTION
7	Vee
8	OUTPUT
14	Vcc (CASE GROUND)

Dimensional Tolerance ±.005

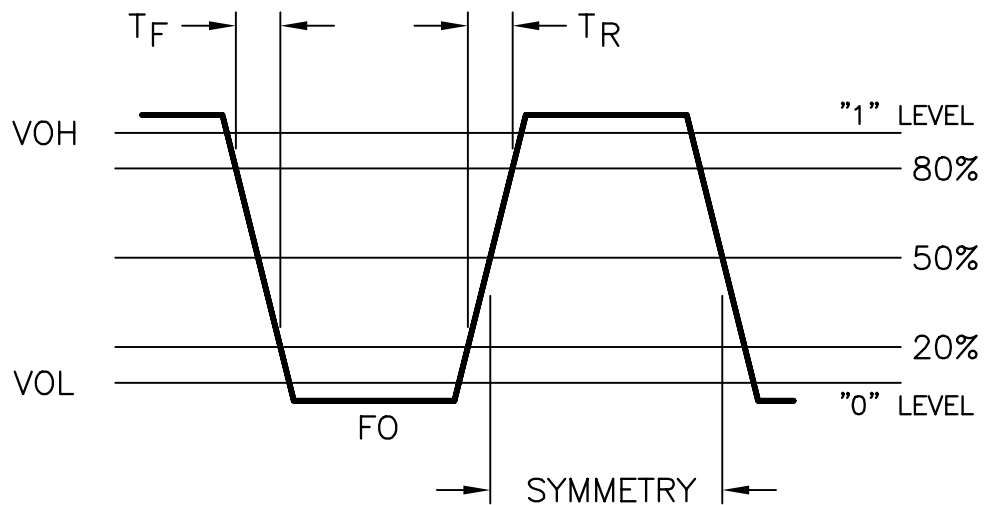
Specifications subject to change without notice



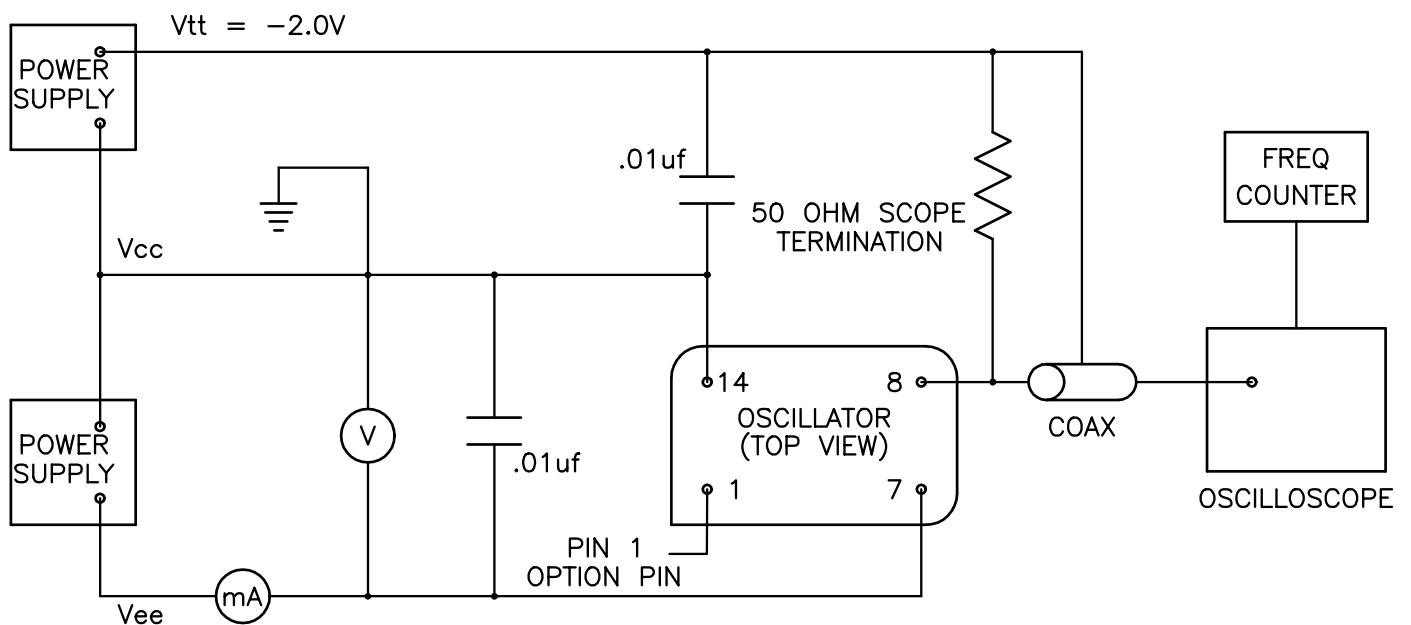
CONNOR-WINFIELD CORPORATION

AURORA, IL. 60505
PHONE (630) 851-4722
FAX (630) 851-5040

OUTPUT WAVEFORM



TEST CIRCUIT



Specifications subject to change without notice

BULLETIN #: EC095
PAGE 2 OF 2

REV: 00
DATE: 11/27/95

ISSUED BY: _____