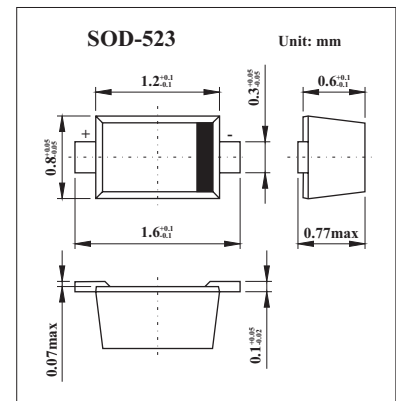


## Schottky barrier diode

## RB520S-30

## ■ Features

- Ultra Small mold type.(EMD2)
- Low  $I_R$ .
- High reliability.

■ Absolute Maximum Ratings  $T_a = 25^\circ\text{C}$ 

Parameter	Symbol	Limits	Unit
Reverse voltage (DC)	$V_R$	30	V
Average rectified forward current	$I_o$	200	mA
Forward current surge peak (60Hz.1cyc)	$I_{FSM}$	1	A
Junction temperature	$T_j$	150	$^\circ\text{C}$
Storage temperature	$T_{stg}$	-40 to +125	$^\circ\text{C}$

■ Electrical Characteristics  $T_a = 25^\circ\text{C}$ 

Parameter	Symbol	Conditions	Min	Typ	Max	Unit
Forward voltage	$V_F$	$I_F = 2\text{ mA}$			0.6	V
Reverse current	$I_R$	$V_R = 10\text{ V}$			1	$\mu\text{ A}$

## ■ Marking

Marking	B
---------	---