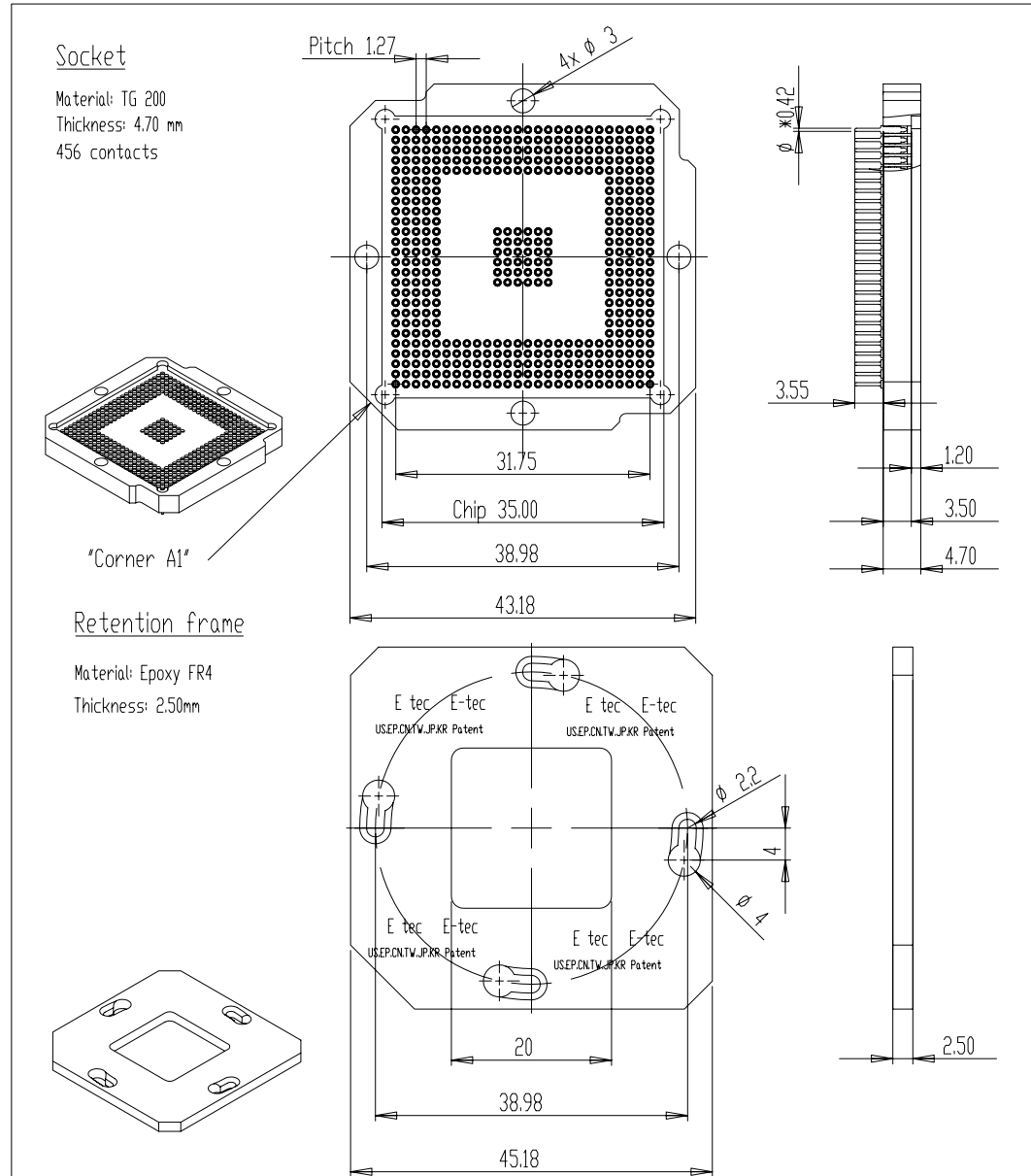
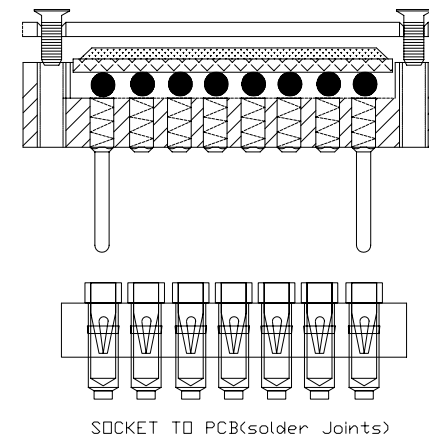


THE DRAWINGS AND INFORMATION CONTAINED HEREIN ARE THE EXCLUSIVE PROPERTY OF ACTEL.
 THE INFORMATION, DRAWINGS AND DESIGN CONCEPTS CONTAINED HEREIN ARE CONFIDENTIAL/PROPRIETARY, SHALL
 BE MAINTAINED IN STRICT CONFIDENCE, AND SHALL NOT BE RELEASED TO ANY THIRD PARTY WITHOUT THE EXPRESS
 WRITTEN PERMISSION OF ACTEL.

ECN NO.	REV.	DESCRIPTION OF CHANGE	EFFECTIVE DATE	ORIGINATOR
2007377	0	initial	06/21/2007	Lijie Zhao



ASSEMBLY FLOW
 ↓
 Retention Frame
 ↓
 BGA PACKAGE
 ↓
 BGA SOCKET
 SE-BGG456-A
 ↓
 BGA ADAPTER
 SOCKET
 (see Sm-BG456-B)
 ↓



Torque Limiting Screw Driver

SOCKET TO PCB(solder Joints) Solder past thickness need to be at least 0.20mm(or0.008 inch) in order to have reliable solder joint

- Note: Dim: mm Please see detail drawing for part number
- To remove BGA socket from adapter socket, Use removal tool from Mill-Max
 - Mill-Max phone: 516-922-6000
 - Refer E-Tec "Screw Lock Type Instruction" for more information.
 - Must use torque limiting screw driver to tighten screws (refer Mountz minimaster 020074 gold, preset 7cNm/10ozf.in). Under torque limit tighten could fail continuity and over torque limit tighten could crack package .

Rév.1	Changement de diamètre 0.42	LG 19.06.07
UNLESS OTHERWISE SPECIFIED: DIMENSIONS ARE IN MILLIMETERS SURFACE FINISH: GENERAL TOLERANCES: ±0.05 LINEAR: ANGULAR: *top view drawing*		
Remark: BGA screw lock socket, 456 pins, pitch 1.27mm, matrix 26x26, retention frame, cut out, basic system 27x27 Position frame thickness 120 mm *remplace rév.0		
DRAWN	*1	LG 15.03.06
CHK'D		FAI 29.04.04
APPV'D	K.S	15.03.06
MFG		
QA		
The information contained in this drawing is proprietary to E-tec and shall not be reproduced or disclosed in whole or in part or used for any design or manufacture except who such user possesses direct, written authorization from E-tec		Scale: 2:1 TITLE: BPW456-1270-26AB55 A4V
MATERIAL:		DWG NO. BPW0456-12-09705-26ABA 1
WEIGHT:		SHEET 1 OF 1 REVISION



E-TEC PART(order as)#: BPW456-1270-26AB55

UNLESS OTHERWISE SPECIFIED DIMENSIONS ARE IN MILLIMETERS DECIMAL X.X ±0.10 X.XX ±0.05 X.XXX ±0.03 MATERIAL SEE NOTES FINISH SEE NOTES DO NOT SCALE DRAWING	PROJECTION 	Actel ACTEL CORPORATION 2061 Stierlin Court Mountain View, CA 94043-4655		
	APPROVALS DRAWN Lijie Zhao	DATE 06/21/2007	TITLE SE-BGG456, E-tec lead free prototype socket drawing for BG456 and BGG456 packages	
	CHECKED ENG'R RELEASED	VENDOR NAME: E-TEC	ACTEL DWG. NUMBER 1-07-09061	REV 1
	VENDOR SID(PART) NUMBER BPW456-1270-26AB55	VENDOR DWG. NUMBER	REV	Actel Part#: SE-BGG456-A
		SCALE: NONE	SHEET 1 OF 1	

E-TEC PATENTS PENDING