

SPECIFICATIONS

Electrical Ratings	5A @ 120 VAC, 28VDC 2A @ 250VAC
Electrical Life	30,000 cycles typical
Contact Resistance	< 20 mΩ max initial @ 2-4VDC, 100mA
Dielectric Strength	1500Vrms min
Insulation Resistance	> 100MΩ min
Operating Temperature	-40°C to 85°C
Storage Temperature	-40°C to 85°C



Process Sealed

UL US - E222871






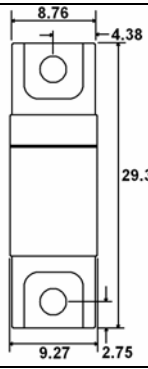
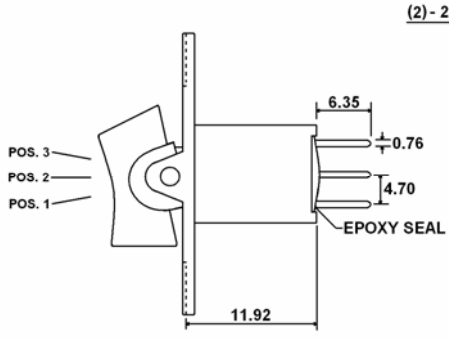
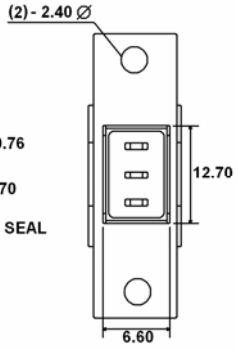
MATERIALS ←RoHS COMPLIANT





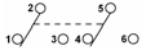
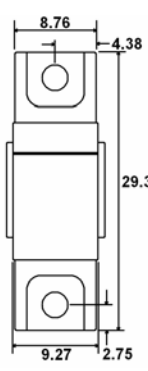
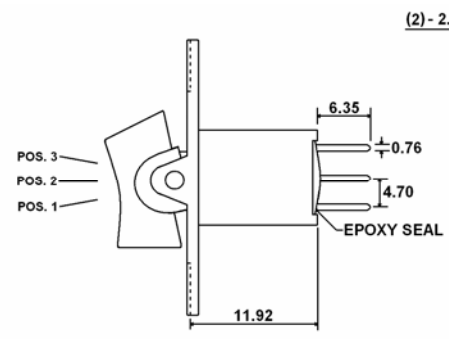
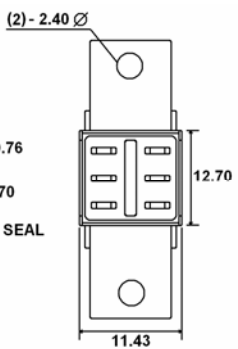
Actuator	6/6 Nylon, Glass Filled, Flame Retardant Heat Stabilized, UL94V-0
Housing	6/6 Nylon, Glass Filled, Flame Retardant Heat Stabilized, UL94V-0
Support Bracket	Brass, Tin Plated
Contacts	Copper Alloy, Silver or Gold Plated
Terminals	Copper Alloy, Silver or Gold Plated


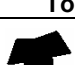


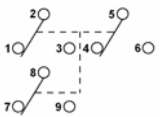
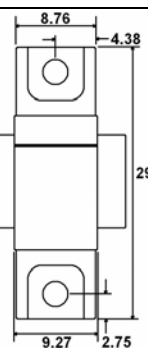
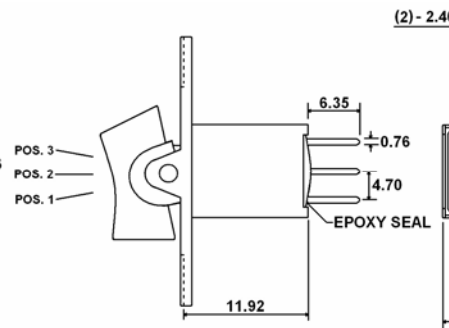
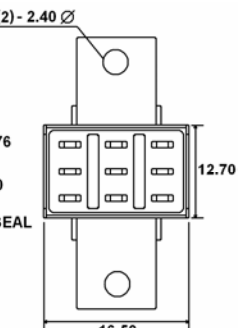
ORDERING INFORMATION

1. Series: ASR	ASR	1	3	R11	2		C	Q
2. Number of Poles: 1 = SPDT 2 = DPDT 3 = 3PDT								
3. Switch Function: 1 = ON-NONE-ON 2 = ON-NONE-(ON) 3 = ON-OFF-ON 4 = (ON)-OFF-(ON) 5 = ON-OFF-(ON) 6 = ON-ON-ON ** See Three Way Wiring Section for Details								
4. Actuator: R11P / R11 = Rocker, PC Mount / Panel Mount R21P / R21 = Rocker, PC Mount / Panel Mount P13P / P13 = Paddle, PC Mount / Panel Mount P23P / P23 = Paddle, PC Mount / Panel Mount R15P = Rocker, PC Mount P43P = Paddle, PC Mount P47P = Paddle, PC Mount P48P = Paddle, PC Mount								
5. Actuator Color: 1 = White 4 = Orange 7 = Blue 2 = Black 5 = Yellow 8 = Brown 3 = Red 6 = Green 9 = Gray								
6. Actuator Marking Style: Blank = No Marking A, B, C, D, E, F, G								
7. Actuator Marking Color: Blank = No Marking, W = White (Standard), B = Black								
8. Terminals: B = Solder Lug, C = PC Pin, D = Quick Connect H = Horizontal Mount, Right Angle PC Pin; HS = Snap-in V = Vertical Mount, Right Angle PC Pin S20 = PC Pin with Support Bracket; V20 = Snap-in Support Bracket S25 = PC Pin with Support Bracket; V25 = Snap-in Support Bracket								
9. Contacts: Q = Silver Plated R = Gold Plated G = Gold over Silver Plated								

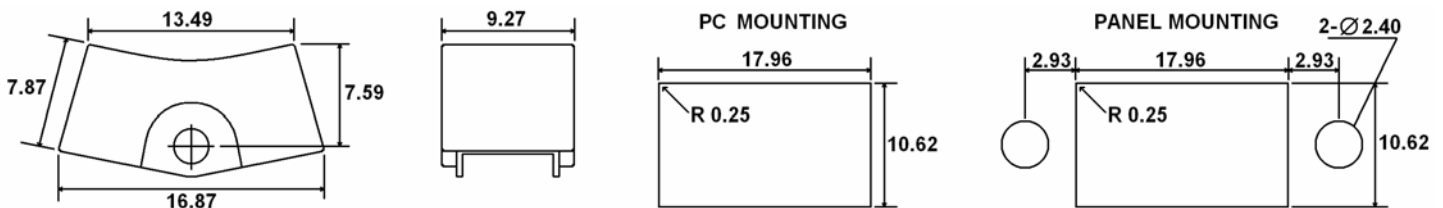
SWITCH FUNCTION

 SPDT	Function 1 2 3 4 5	Toggle Position   							
		ON NONE ON	ON NONE (ON)	ON OFF ON					(ON) OFF (ON)
		ON OFF (ON)	---	2-1					---
		Terminals	2-3	---					2-1
		Terminals	2-3	---					2-1

 DPDT	Function 1 2 3 4 5	Toggle Position   							
		ON NONE ON	ON NONE (ON)	ON OFF ON					(ON) OFF (ON)
		ON OFF (ON)	ON OFF (ON)	ON OFF (ON)					ON OFF (ON)
		ON ON ON	ON ON ON	ON ON ON					ON ON ON
		Terminals	2-3	---					2-1
	Terminals	2-3 5-6	2-3 5-4	2-1 5-4					

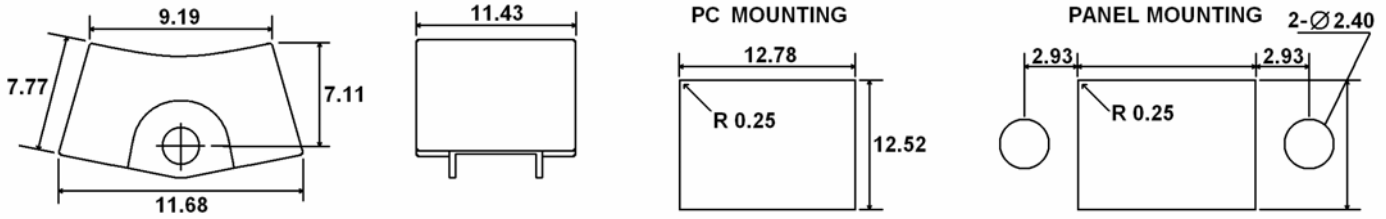
 3PDT	Function 1 2 3 4 5	Toggle Position   							
		ON NONE ON	ON NONE (ON)	ON OFF ON					(ON) OFF (ON)
		ON OFF (ON)	ON OFF (ON)	ON OFF (ON)					ON OFF (ON)
		ON ON ON	ON ON ON	ON ON ON					ON ON ON
		Terminals	2-3 5-6 8-9	---					2-1 5-4 8-7
	Terminals	2-3 5-6 8-9	---	2-1 5-4 8-7					

ACTUATOR OPTIONS (PC MOUNT / PANEL MOUNT)
R11P / R11

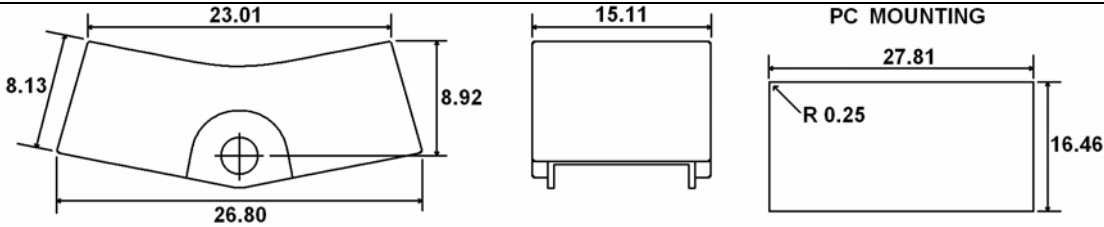


ACTUATOR OPTIONS (PC MOUNT / PANEL MOUNT)

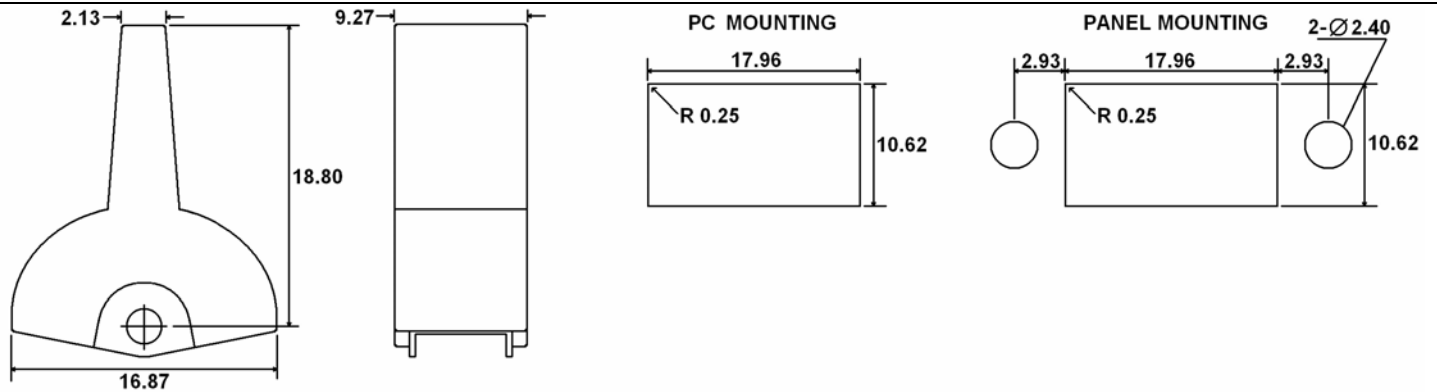
R21P / R21



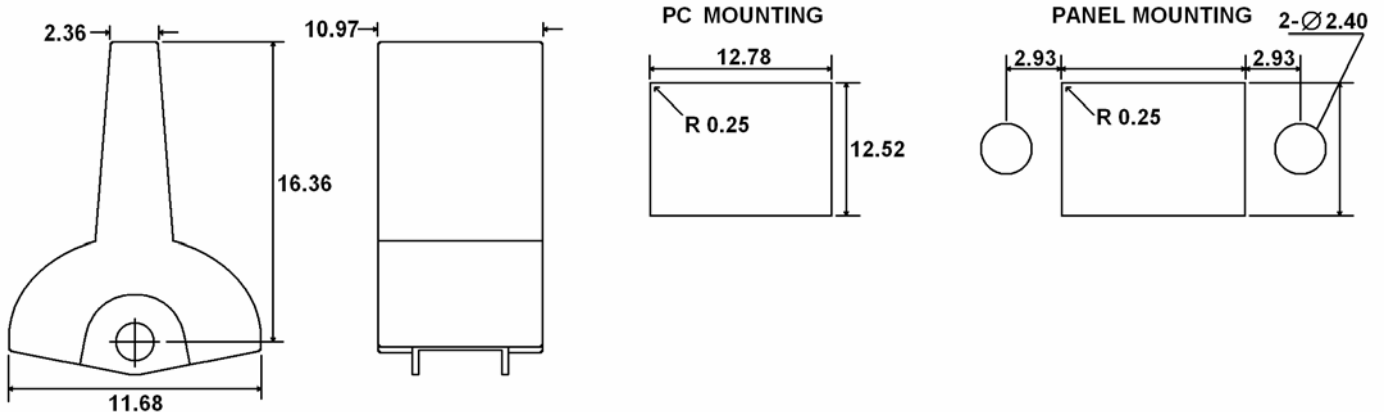
R15P



P13P / P13

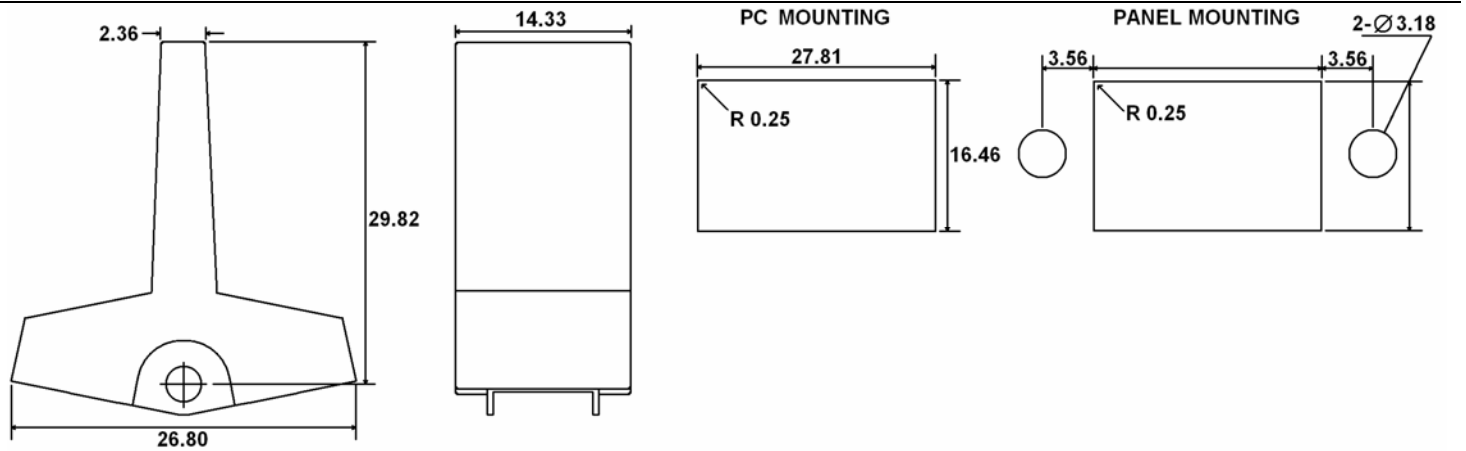


P23P / P23

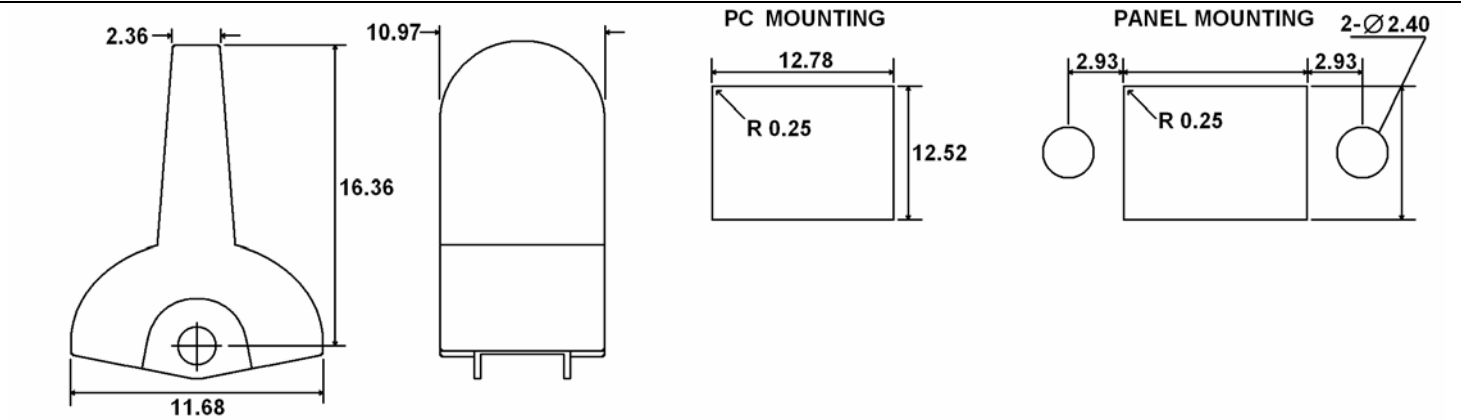


ACTUATOR OPTIONS (PANEL MOUNT / PC MOUNT)

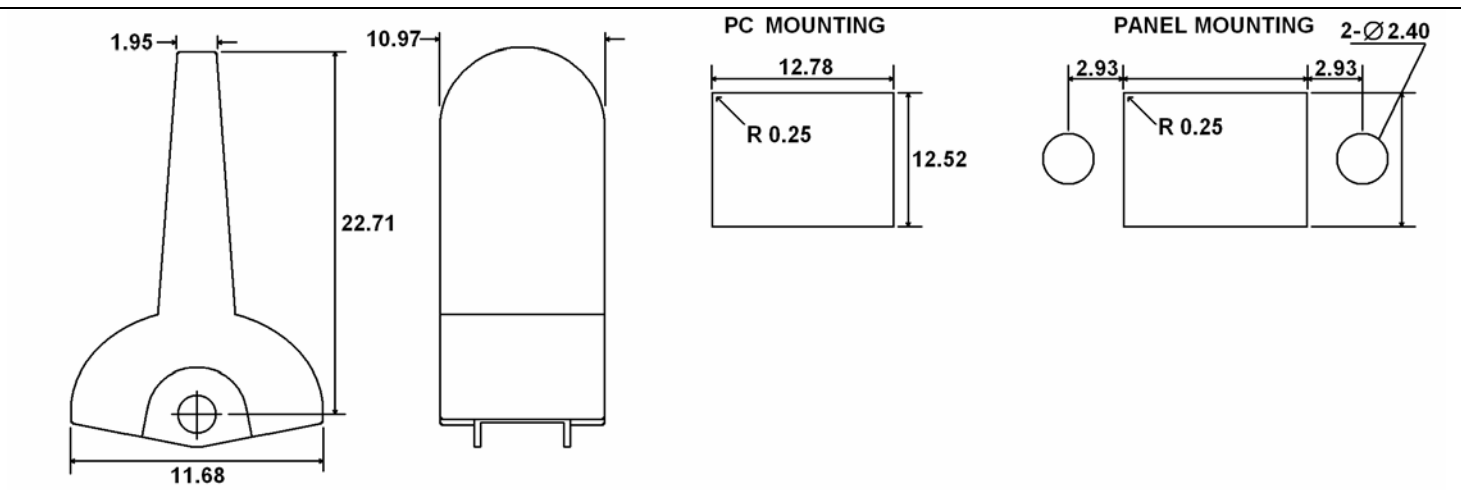
P43P



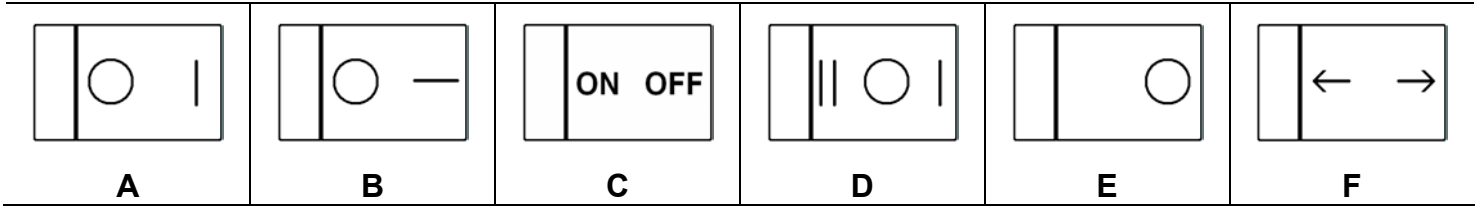
P47P



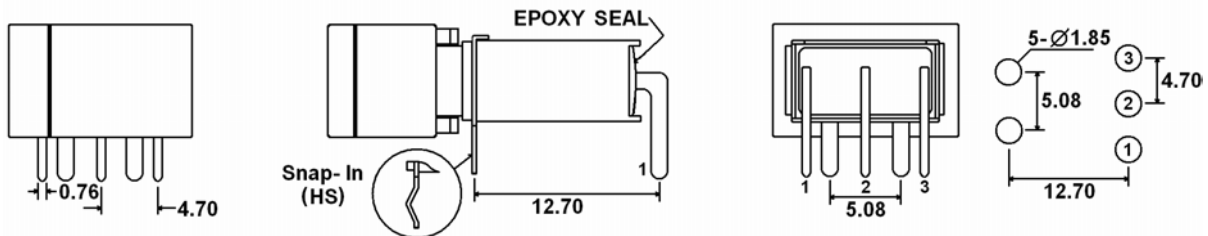
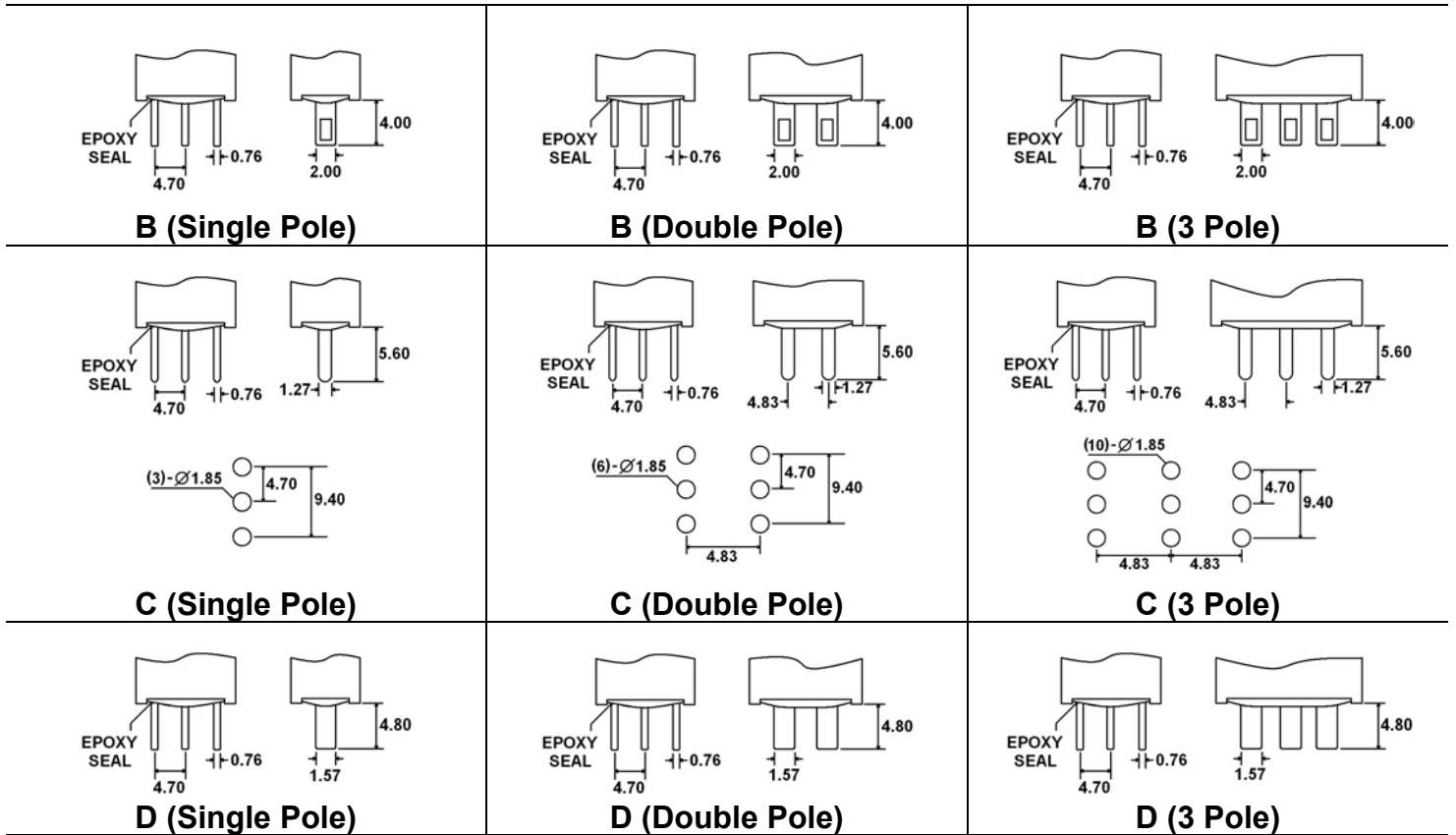
P48P



ACTUATOR MARKINGS

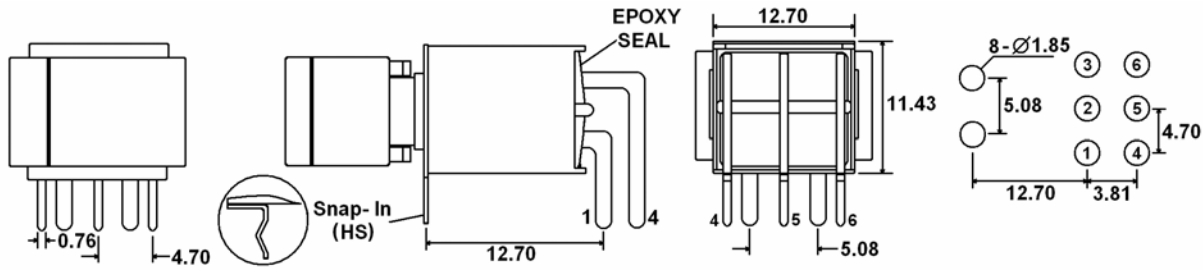


TERMINAL OPTIONS

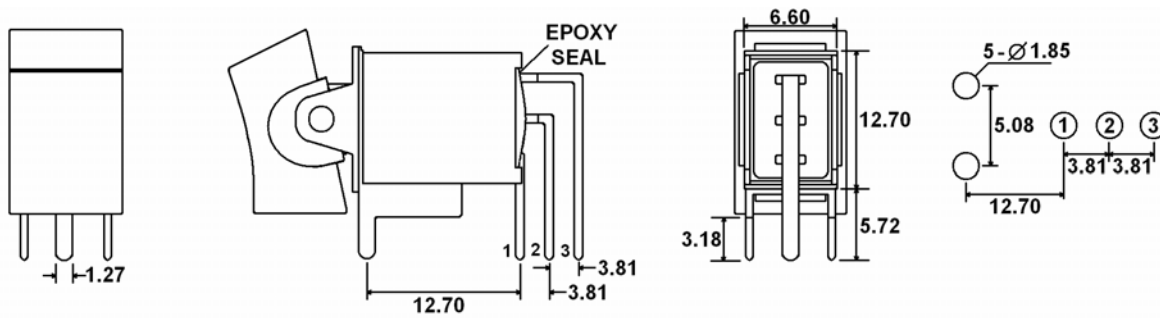


H (HS – Snap-in) = Horizontal Mount, Right Angle PC Pins (Single Pole)

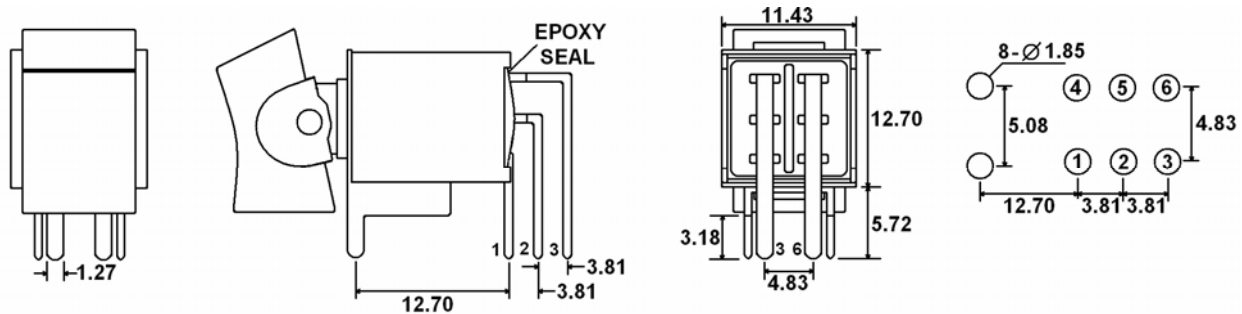
TERMINAL OPTIONS



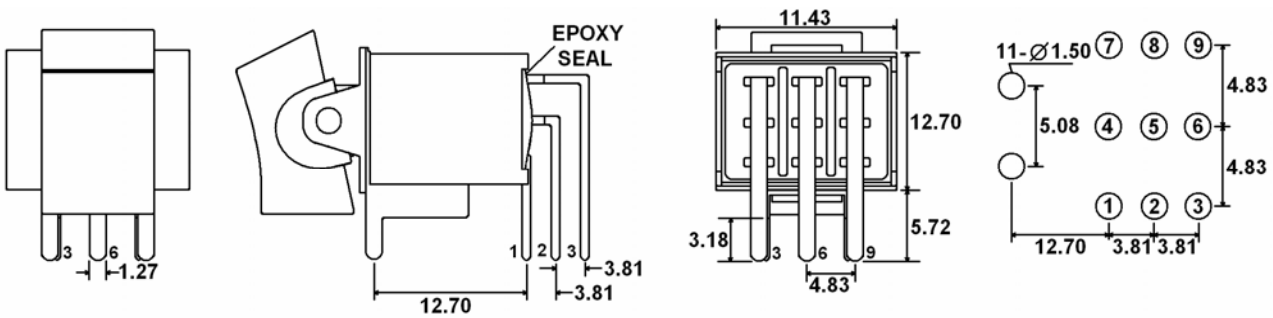
H (HS – Snap-in) = Horizontal Mount, Right Angle PC Pins (Double Pole)



V = Vertical Mount, Right Angle PC Pins (Single Pole)

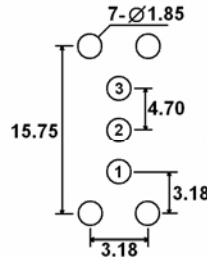
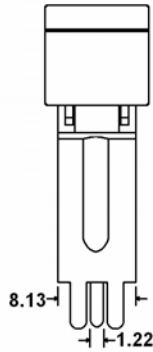
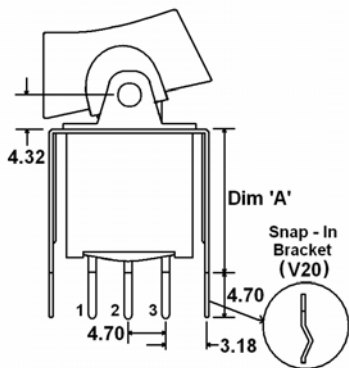


V = Vertical Mount, Right Angle PC Pins (Double Pole)



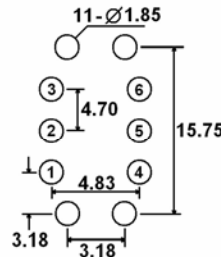
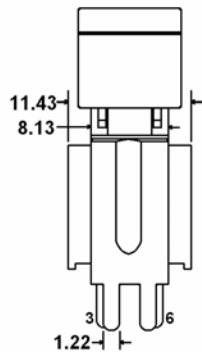
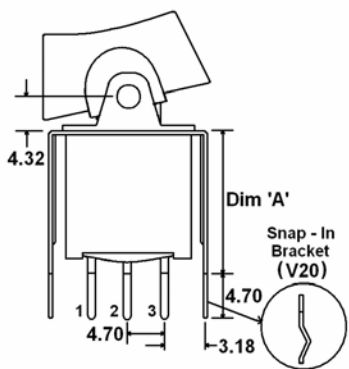
V = Vertical Mount, Right Angle PC Pins (Three Pole)

TERMINAL OPTIONS



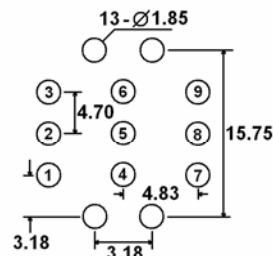
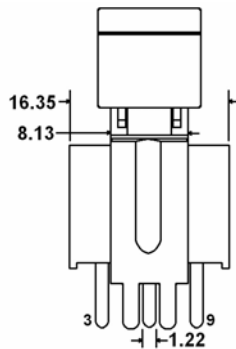
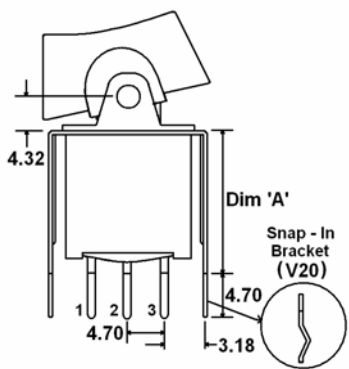
Terminal Option	"A" Dimension
S20-V20	11.68
S25-V25	16.00

S20/S25 (V20/V25 – Snap-in Bracket) = PC Pins with Support Bracket (Single Pole)



Terminal Option	"A" Dimension
S20-V20	11.68
S25-V25	16.00

S20/S25 (V20/V25 – Snap-in Bracket) = PC Pins with Support Bracket (Double Pole)



Terminal Option	"A" Dimension
S20-V20	11.68
S25-V25	16.00

S20/S25 (V20/V25 – Snap-in Bracket) = PC Pins with Support Bracket (Three Pole)

CONTACT OPTIONS

Designator	Contact Material	Terminal Material	Electrical Ratings
Q	Silver Plating	Silver Plating	5A @ 120VAC, 28VDC; 2A @ 250VAC
R	Gold over Nickel Plating	Gold over Nickel Plating	.4 VA max @ 20VAC or VDC max
G	Gold over Silver Plating	Gold over Silver Plating	.4 VA max @ 20VAC or VDC max or 5A @ 120VAC, 28VDC; 2A @ 250VAC

THREE WAY WIRING DIAGRAM

