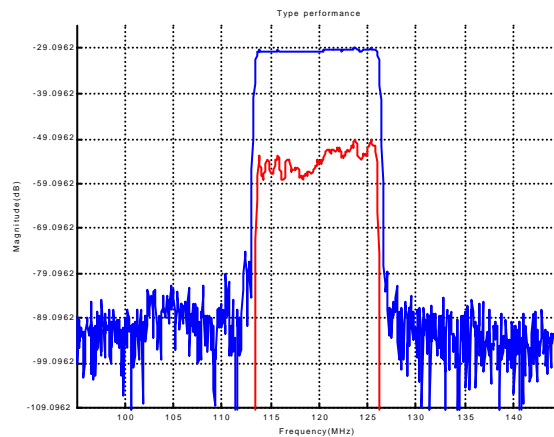




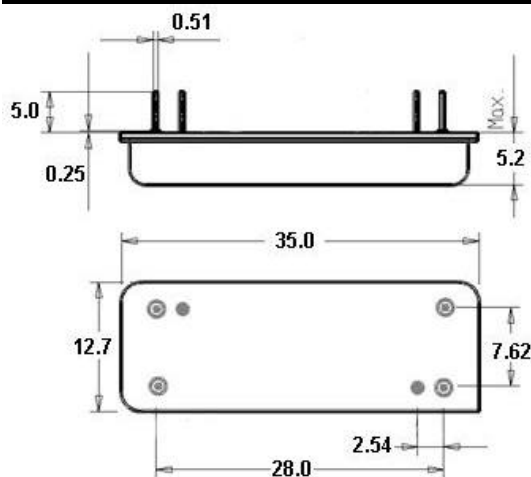
**LBN12003 SAW Filter Electrical Characteristic**

<b>Specifications</b>				
Parameter	Unit	Minimum	Typical	Maximum
Center Frequency	MHz	119.875	120	120.125
Insertion Loss	dB		27	28
1.5 dB Bandwidth	MHz	12.5	12.65	
18 dB Bandwidth	MHz		13.24	13.3
25 dB Bandwidth	MHz		13.38	13.6
30 dB Bandwidth	MHz		13.46	13.8
40 dB Bandwidth	MHz		13.56	14.9
Passband variation	dB		1.0	1.5
Absolute Delay	usec		2.66	2.75
Ultimate Rejection	dB	40	45	
Substrate Material		YZ LN		
Ambient Temperature	°C	25		
Package Size	DIP3512 (35.0x12.7x5.2mm <sup>3</sup> )			

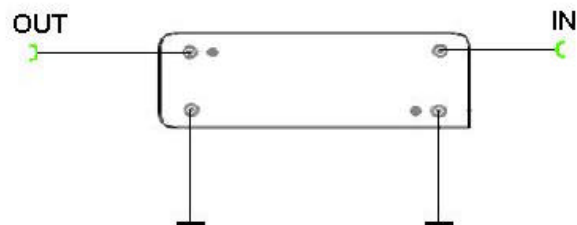
**Typical Performance**



**Package Outline**



**Matching Configuration**



Source/Load Impedance = 50 ohm