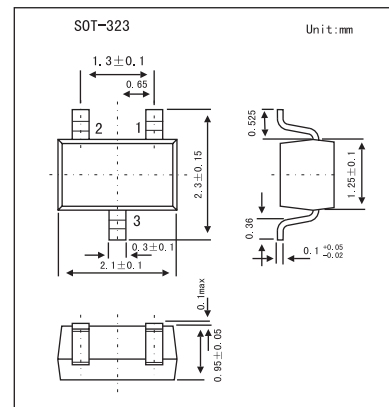


Schottky barrier diode

RB451F

■ Features

- Small surface mounting type. (UMD3)
- Low V_F . ($V_F=0.45V$ Typ. at 100mA)
- High reliability.

■ Absolute Maximum Ratings $T_a = 25^\circ C$

Parameter	Symbol	Limits	Unit
Peak reverse voltage	V_{RM}	40	V
DC reverse voltage	V_R	40	V
Mean rectifying current	I_o	0.1	A
Peak forward surge current *	I_{FSM}	1	A
Junction temperature	T_j	125	$^\circ C$
Storage temperature	T_{stg}	-40 to +125	$^\circ C$

* 60Hz for 1 ∞

■ Electrical Characteristics $T_a = 25^\circ C$

Parameter	Symbol	Conditions	Min	Typ	Max	Unit
Forward voltage	V_F	$I_F = 100\text{ mA}$			0.55	V
		$I_F = 10\text{ mA}$			0.34	
Reverse current	I_R	$V_R=10\text{ V}$			30	$\mu\text{ A}$
Capacitance between terminals	C_T	$V_R=10\text{ V}$, $f=1\text{ MHz}$		6.0		pF

■ Marking

Marking	3C
---------	----