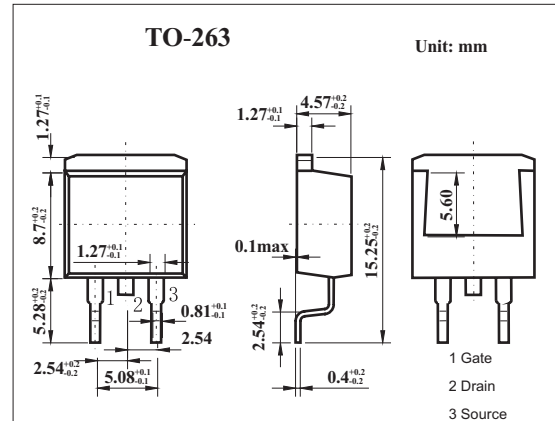


## MOS Field Effect Transistor 2SK3353

### ■ Features

- Super low on-state resistance:  
 $R_{DS(on)1} = 9.5 \text{ m}\Omega \text{ MAX. (} V_{GS} = 10 \text{ V, } I_D = 41 \text{ A)}$   
 $R_{DS(on)2} = 14 \text{ m}\Omega \text{ MAX. (} V_{GS} = 4 \text{ V, } I_D = 41 \text{ A)}$
- Low  $C_{iss}$ :  $C_{iss} = 4650 \text{ pF TYP.}$
- Built-in gate protection diode



### ■ Absolute Maximum Ratings $T_a = 25^\circ\text{C}$

Parameter	Symbol	Rating	Unit	
Drain to source voltage	$V_{DS}$	60	V	
Gate to source voltage	$V_{GS(AC)}$	$\pm 20$	V	
Drain current	$I_D$	$\pm 82$	A	
	$I_{dp}^*$	$\pm 328$	A	
Power dissipation	$P_D$	$T_a=25^\circ\text{C}$	1.5	W
		$T_c=25^\circ\text{C}$	95	
Channel temperature	$T_{ch}$	150	$^\circ\text{C}$	
Storage temperature	$T_{stg}$	-55 to +150	$^\circ\text{C}$	

\*  $PW \leq 10 \mu\text{s}$ , Duty Cycle  $\leq 1\%$

### ■ Electrical Characteristics $T_a = 25^\circ\text{C}$

Parameter	Symbol	Testconditions	Min	Typ	Max	Unit
Drain cut-off current	$I_{DSS}$	$V_{DS}=60\text{V}, V_{GS}=0$			100	$\mu\text{A}$
Gate leakage current	$I_{GSS}$	$V_{GS}=\pm 20\text{V}, V_{DS}=0$			$\pm 10$	$\mu\text{A}$
Gate cutoff voltage	$V_{GS(off)}$	$V_{DS}=10\text{V}, I_D=1\text{mA}$	2.5		3.5	V
Forward transfer admittance	$ Y_{fs} $	$V_{DS}=10\text{V}, I_D=41\text{A}$	30	50		S
Drain to source on-state resistance	$R_{DS(on)}$	$V_{GS}=10\text{V}, I_D=41\text{A}$		7.5	9.5	$\text{m}\Omega$
		$V_{GS}=4\text{V}, I_D=41\text{A}$		10.5	14	$\text{m}\Omega$
Input capacitance	$C_{iss}$	$V_{DS}=10\text{V}, V_{GS}=0, f=1\text{MHz}$		4650		pF
Output capacitance	$C_{oss}$			780		pF
Reverse transfer capacitance	$C_{rss}$			380		pF
Turn-on delay time	$t_{on}$				100	
Rise time	$t_r$	$I_D=41\text{A}, V_{GS(on)}=10\text{V}, R_G=10\Omega, V_{DD}=30\text{V}$		1550		ns
Turn-off delay time	$t_{off}$			280		ns
Fall time	$t_f$			420		ns
Total Gate Charge	$Q_G$				90	
Gate to Source Charge	$Q_{GS}$	$V_{DD} = 42\text{V}, V_{GS} = 10 \text{ V, } I_D = 82\text{A}$		14		nC
Gate to Drain Charge	$Q_{GD}$			38		nC