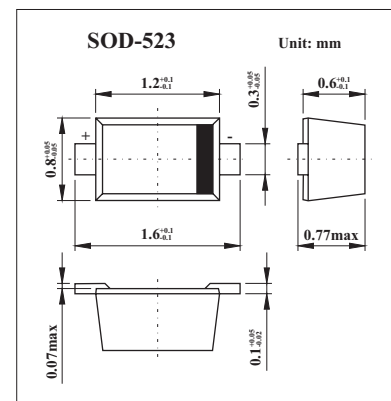


## SCHOTTKY BARRIER DIODE

### 1PS79SB40

#### ■ Features

- Very Low forward voltage
- Guard ring protected
- Ultra small plastic SMD package.
- Low diode capacitance.



#### ■ Absolute Maximum Ratings $T_a = 25^\circ\text{C}$

Parameter	Symbol	Conditions	Min	Max	Unit
continuous reverse voltage	$V_R$			40	V
continuous forward current	$I_F$			120	mA
repetitive peak forward current	$I_{FSM}$	$t_p \leq 1 \text{ s}; \delta \leq 0.5$		120	mA
non-repetitive peak forward current	$I_{FSM}$	$t_p < 10 \text{ ms}$		200	mA
storage temperature	$T_{stg}$		-65	+150	$^\circ\text{C}$
junction temperature	$T_j$			150	$^\circ\text{C}$
operating ambient temperature	$T_{amb}$		-65	+150	$^\circ\text{C}$

#### ■ Electrical Characteristics $T_a = 25^\circ\text{C}$

Parameter	Symbol	Conditions	Max	Unit
continuous forward voltage	$V_F$	$I_F = 1 \text{ mA}$	380	mV
		$I_F = 10 \text{ mA}$	500	mV
		$I_F = 40 \text{ mA}$	1	V
capacitance reverse current	$I_R$	$V_R = 30 \text{ V}$ , note 1	1	$\mu\text{A}$
		$V_R = 40 \text{ V}$ , note 1	10	$\mu\text{A}$
diodes capacitance	$C_d$	$V_R = 0 \text{ V}$ , $f = 1 \text{ MHz}$	5	pF

Note

1. Pulse test:  $t_p = 300 \mu\text{s}$ ,  $\delta = 0.02$ .

#### ■ Marking

Marking	T
---------	---